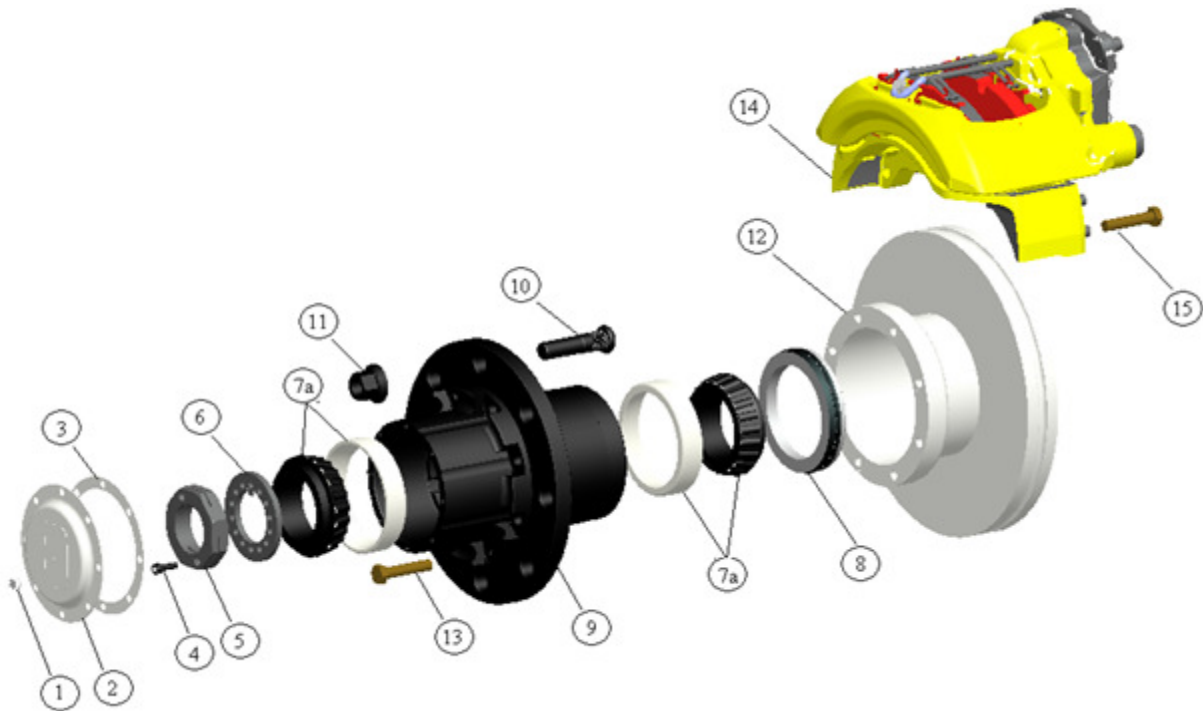




6000 Series Axles

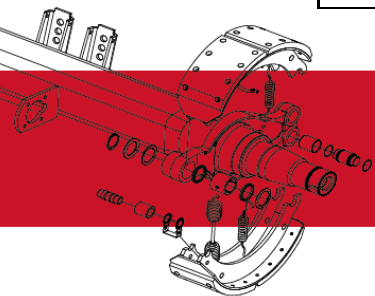
- **Twin Bearing 8 Stud (Page 1)**
- **Twin Bearing 10 Stud (Page 2)**
- **Unipac Bearing 10 Stud (Page 3)**

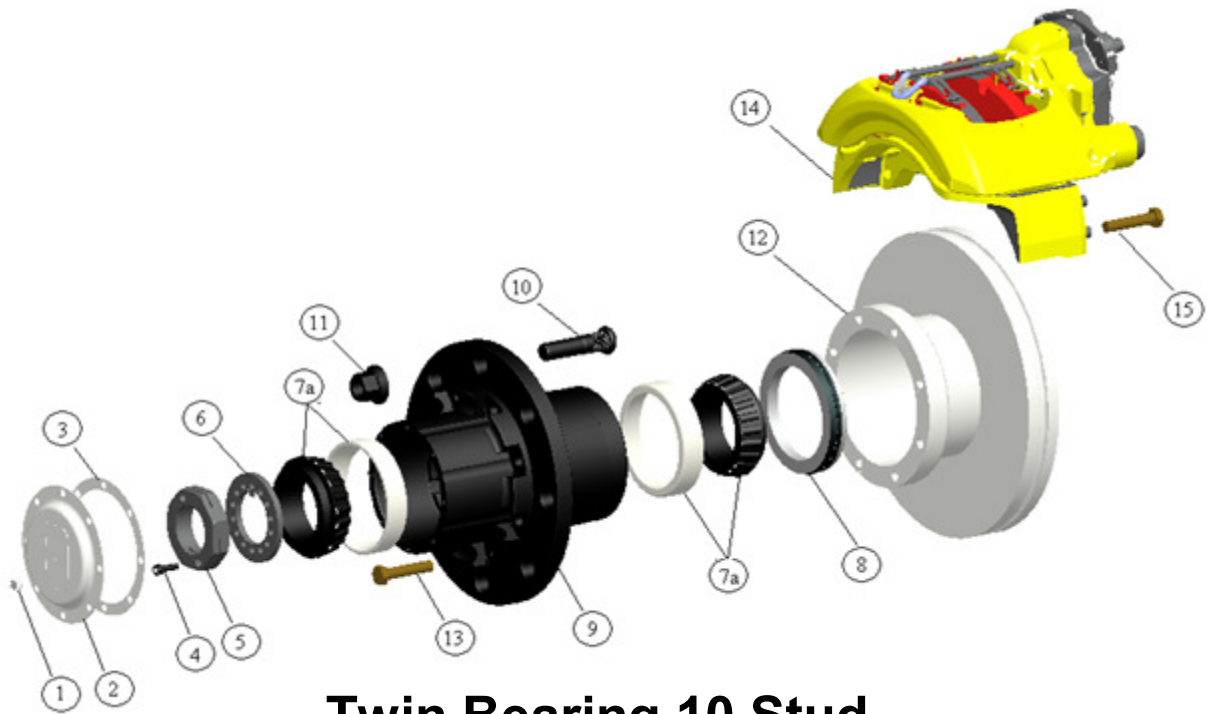
*****For 10 Stud Twin or Unipac axle, check hub casting
61231 or 61245*****



Twin Bearing 8 Stud

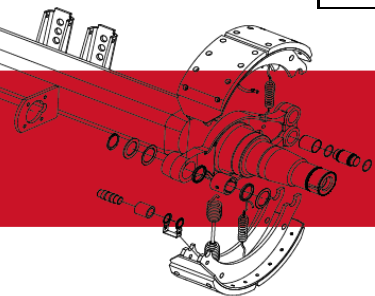
Item	Description	Part No.	Qty per Axle
1	Screw M8 x 16 Fl. Head	61358	16
2	Hub Cap Pressing G Disc	61325	2
3	Gasket Hub Cap Disc	61335	4
4	Cap Screw M8 x 1.25 x 25	61345	4
5	Lock Nut Spindle Disc	61315	2
6	Lock Washer Spindle Disc	61305	2
7a	Twin Bearing Disc	61296	4
8	National Oil Seal	54020	2
9	Hub Disc Brake Twin 8 Stud	61232	2
10a	Wheel Bolt Disc Single	61355	16
10b	Wheel Bolt Disc Twin	61375	16
11	Wheel Nut ISO (Black)	61381	16
	Wheel Nut ISO (Zinc)	61381Z	16
12	Rotor Disc SB6	61247	2
13	Hub Bolt M14 x 1.5 x 70 No Flange	61378	16
14a	Wabco Caliper 19.5" Left Hand	61742	1
	Wabco Caliper 19.5" Right Hand	61743	1
14b	Knorr Bremse Caliper 19.5" Left Hand	61248	1
	Knorr Bremse Caliper 19.5" Right Hand	61246	1
15	Caliper Bolt M16 x 55 x 1.75	61356	12

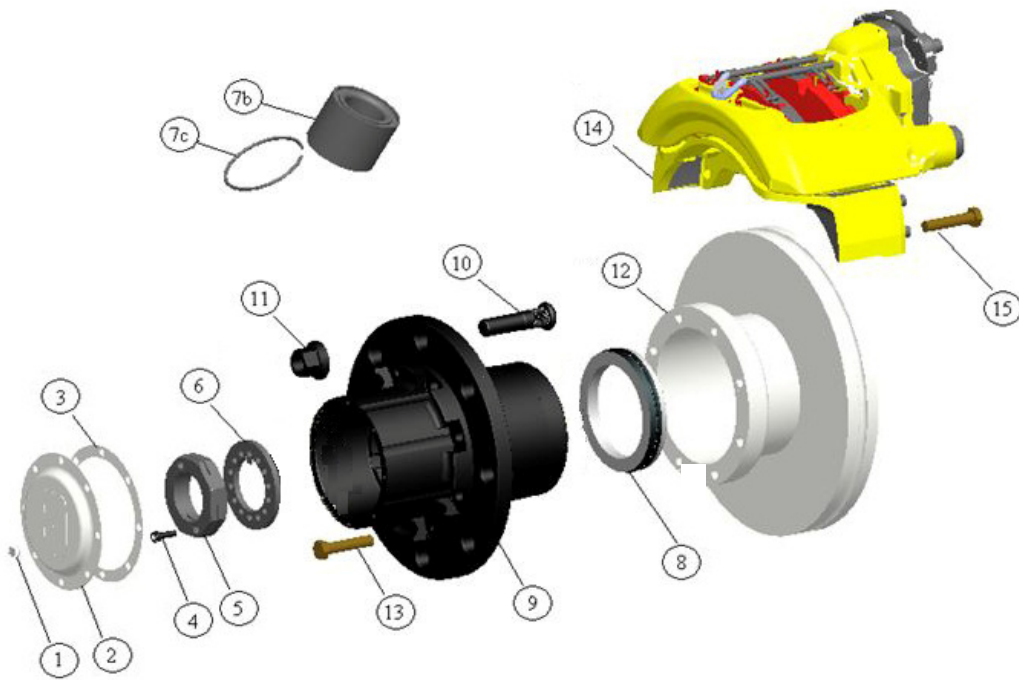




Twin Bearing 10 Stud

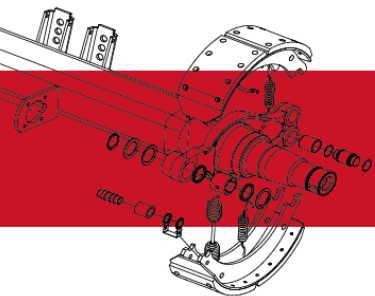
Item	Description	Part No.	Qty per Axle
1	Screw M8 x 16 Fl. Head	61358	16
2	Hub Cap Pressing G Disc	61325	2
3	Gasket Hub Cap Disc	61335	4
4	Cap Screw M8 x 1.25 x 25	61345	4
5	Lock Nut Spindle Disc	61315	2
6	Lock Washer Spindle Disc	61305	2
7a	Twin Bearing Disc	61296	4
8	National Oil Seal	54020	2
9	Hub Disc Brake Twin 10 Stud	61231	2
10a	Wheel Bolt Disc Single	61355	20
10b	Wheel Bolt Disc Twin	61375	20
11	Wheel Nut ISO (Black)	61381	20
	Wheel Nut ISO (Zinc)	61381Z	20
12	Rotor Disc SB6	61247	2
13	Hub Bolt M14 x 1.5 x 70	61357	16
14a	Wabco Caliper 19.5" Left Hand	61742	1
	Wabco Caliper 19.5" Right Hand	61743	1
14b	Knorr Bremse Caliper 19.5" Left Hand	61248	1
	Knorr Bremse Caliper 19.5" Right Hand	61246	1
15	Caliper Bolt M16 x 55 x 1.75	61356	12

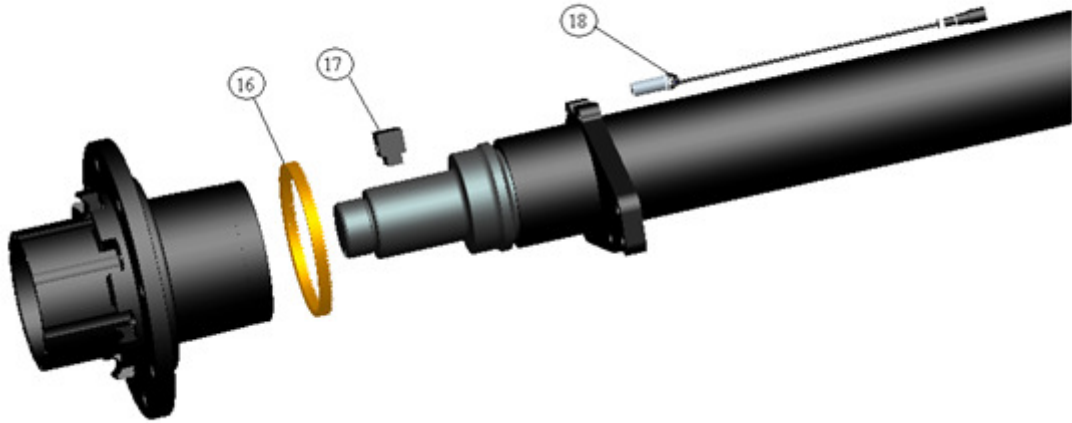




Unipac 10 Stud

Item	Description	Part No.	Qty per Axle
1	Screw M8 x 16 Fl. Head	61358	16
2	Hub Cap Pressing G Disc	61325	2
3	Gasket Hub Cap Disc	61335	4
4	Cap Screw M8 x 1.25 x 25	61345	4
5	Lock Nut Spindle Disc	61315	2
6	Lock Washer Spindle Disc	61305	2
7b	Unipac Bearing Timken	61266	2
7c	Snap Ring Bearing	61295	2
9	Hub Disc Brake Unipac	61245	2
10a	Wheel Bolt Disc Single	61355	20
10b	Wheel Bolt Disc Twin	61375	20
11	Wheel Nut ISO (Black)	61381	20
	Wheel Nut ISO (Zinc)	61381Z	20
12	Rotor Disc SB6	61247	2
13	Hub Bolt M14 x 1.5 x 70	61357	16
14a	Wabco Caliper 19.5" Left Hand	61742	1
	Wabco Caliper 19.5" Right Hand	61743	1
14b	Knorr Bremse Caliper 19.5" Left Hand	61248	1
	Knorr Bremse Caliper 19.5" Right Hand	61246	1
15	Caliper Bolt M16 x 55 x 1.75	61356	12





6000 Series 22.5" ABS Parts

Item	Description	Part No.	Qty per Axle
16	Polewheel 100T (10 Stud)	61789	2
	Polewheel 80T (8 Stud)	61787	2
17	Mounting Block	61781	2
18	ABS Sensor Lead c/w Sensor Bush	61786	2

We reserve the right to make changes in specifications or to make improvements at any time without notice. We are not responsible for inaccuracies or omissions.

