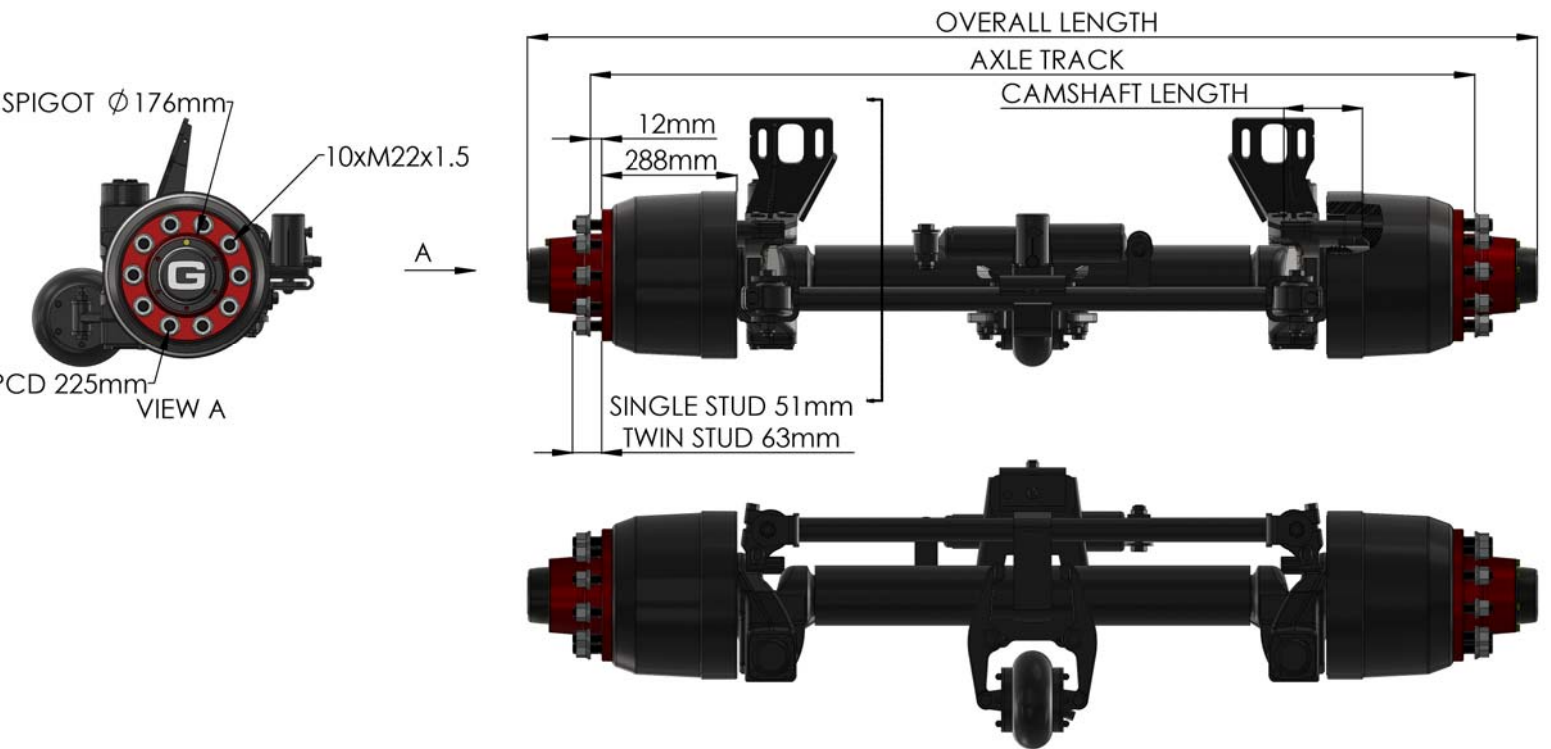


AXLE PART NUMBER	TRACK ±5 (mm)	CAMSHAFT LENGTH (mm)	WHEEL BOLT AND NUT	LOCKING MECHANISM	OVERALL LENGTH (mm)	SUSPENSION	INSIDE DRUM TO INSIDE DRUM (mm)	ACB TYPE
60325S1	1820	175	TWIN WHEEL ISO NUT	AIR	2109	OVER/UNDERSLUNG	1220	TOP 38mm OFFSET SLACK
60325S2	1820	175	TWIN WHEEL ISO NUT	HYDRAULIC	2109	OVERSLUNG	1220	TOP 38mm OFFSET SLACK
60326S1	1950	175	TWIN WHEEL ISO NUT	AIR	2239	OVER/UNDERSLUNG	1350	TOP 38mm OFFSET SLACK
60330S1	1920	175	TWIN WHEEL ISO NUT	HYDRAULIC	2209	UNDERSLUNG	1320	TOP 38mm OFFSET SLACK
60330S2	1920	175	TWIN WHEEL ISO NUT	AIR	2309	OVER/UNDERSLUNG	1320	TOP 38mm OFFSET SLACK
60330S4	1920	175	TWIN WHEEL ISO NUT	HYDRAULIC	2309	OVER/UNDERSLUNG	1320	TOP STRAIGHT SLACK
60364S1	2000	175	TWIN WHEEL ISO NUT	AIR	2389	OVER/UNDERSLUNG	1400	TOP 38mm OFFSET SLACK
60364S2	2000	175	TWIN WHEEL ISO NUT	HYDRAULIC	2389	UNDERSLUNG	1400	TOP 38mm OFFSET SLACK
60366S1	2120	175	TWIN WHEEL ISO NUT	AIR	2509	OVER/UNDERSLUNG	1520	TOP 38mm OFFSET SLACK
60397S1	1850	175	TWIN WHEEL ISO NUT	AIR	2139	OVER/UNDERSLUNG	1250	TOP 38mm OFFSET SLACK
60397S2	1850	175	TWIN WHEEL ISO NUT	HYDRAULIC	2139	UNDERSLUNG	1250	TOP 38mm OFFSET SLACK



HYDRAULIC LOCKING SET UP



AIR LOCKING SET UP




AXLE BEAM	Ø127
BEARING	INNER 218248 OUTER 33213
BRAKE SIZE	310mmx190mm
CAMSHAFT	10 SPLINE (SAE 1-1/2"-10C)
TUV NUMBER	BRAKE TEST LOAD 11,000Kg TUV 361-035-14
AXLE MANUAL	80266
AXLE BILL OF MATERIAL	80297

LEVER LENGTH (mm)	BRAKE CHAMBER TO CLEVIS PIN (mm)
127	106
152	106

THIS DRAWING IS FOR INFORMATION PURPOSES ONLY AND MAY BE SUBJECT TO CHANGE. ANY DEVIATION MUST BE REQUESTED AND APPROVED IN WRITING. THE SPECIFICATION AND INSTALLATION OF THIS EQUIPMENT IS SOLELY THE RESPONSIBILITY OF THE INSTALLER. INSTALLATION INSTRUCTIONS AND GUIDELINES CAN BE FOUND ON WWW.GRANNINGAXLES.IE
CAPACITY IS BASED ON SUSPENSION, TERRAIN, SPEED AND SUSPENSION OVERHANG. PLEASE FILL IN THE AXLE REQUEST FORM FOR THE AXLE CAPACITY

GRANNING LTD CLAIMS PROPRIETARY RIGHTS TO ALL THE INFORMATION DISCLOSED ON THIS DRAWING IT IS NOT TO BE REPRODUCED OR USED FOR MANUFACTURE OR FOR ANY OTHER PURPOSE OR DISCLOSED TO ANY THIRD PARTY WITHOUT OUR WRITTEN PERMISSION		
DEBURR AND BREAK SHARP EDGES		
	NAME	DATE
	DRAWN	25/09/2018
	CHK'D	J SHINE 25/09/2018
	APP'VD	XXXXXX XXXXXX
UNLESS OTHERWISE SPECIFIED: DIMENSIONS ARE MILLIMETERS LINEAR: NO DECIMALS- X ±1mm ONE DECIMAL- XX ±0.5mm TWO DECIMALS- XXX ±0.2mm ANGULAR: 3 Degrees QUALITY CHECKS CARRIED OUT ON DIMENSIONS IN () BOXES		
A	INITIAL RELEASE	25/09/2018
REV	DCN	DATE

DO NOT SCALE DRAWING	REVISION A	SHEET 1 OF 1
 granning <small>steer and suspension solutions</small>		
TITLE: 300 SERIES STEER AXLE GROUP DRAWING		
DWG NO.	80367	