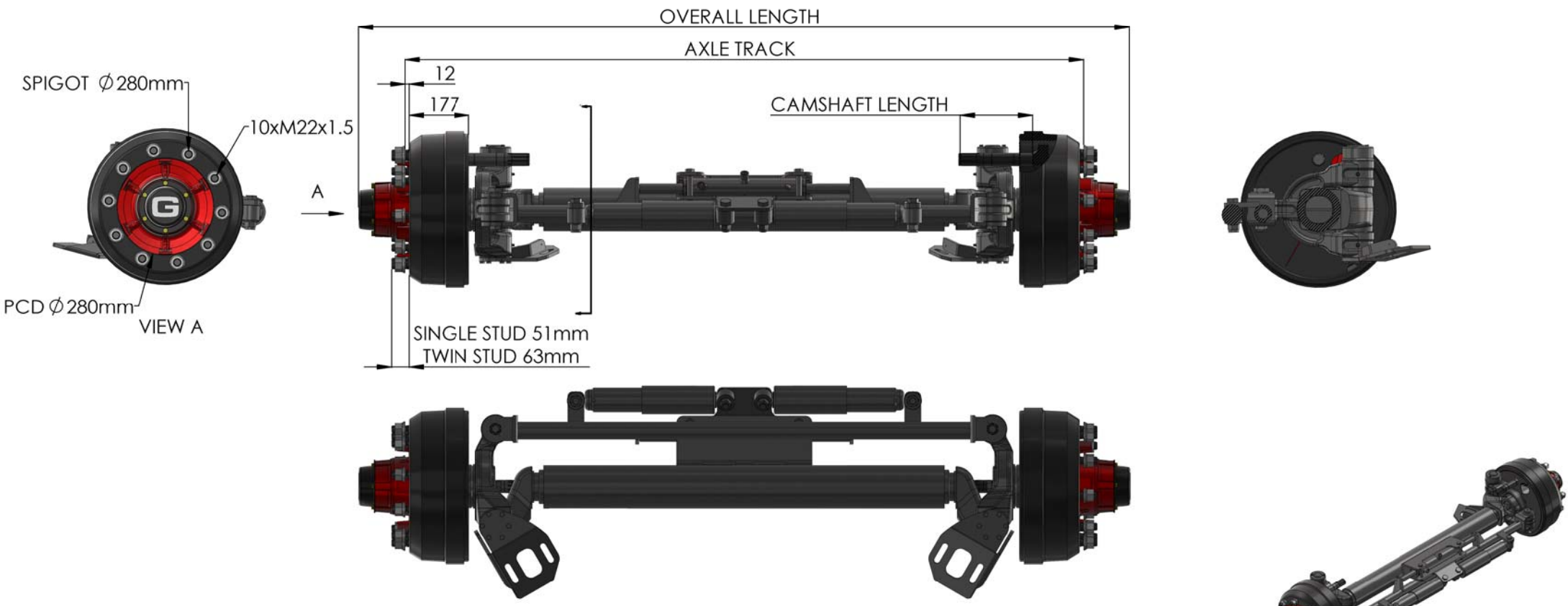



AXLE PART NUMBER	TRACK ±5 (mm)	CAMSHAFT LENGTH (mm)	WHEEL BOLT AND NUT	LOCKING MECHANISM	OVERALL LENGTH (mm)	SUSPENSION	INSIDE DRUM TO INSIDE DRUM (mm)	ACB TYPE
60863S1	2000	250	SINGLE WHEEL ISO NUT	HYDRAULIC	2273	UNDERSLUNG	1623	BOTTOM STRAIGHT SLACK
60863S2	2000	250	SINGLE WHEEL ISO NUT	HYDRAULIC	2273	UNDERSLUNG	1623	BOTTOM STRAIGHT SLACK
60863S3	2000	212	SINGLE WHEEL ISO NUT	HYDRAULIC	2273	UNDERSLUNG	1623	BOTTOM STRAIGHT SLACK
60863S4	2000	250	SINGLE WHEEL DIN NUT	HYDRAULIC	2273	UNDERSLUNG	1623	BOTTOM STRAIGHT SLACK
60869S1	2300	250	SINGLE WHEEL ISO NUT	HYDRAULIC	2300	UNDERSLUNG	1923	BOTTOM STRAIGHT SLACK



AXLE BEAM	Ø 127
BEARING	INNER 218248 OUTER 33213
BRAKE SIZE	406mmx120mm
CAMSHAFT	10 SPLINE (SAE 1-1/2"-10C)
TUV NUMBER	BRAKE TEST LOAD 10,000Kg TUV 361-033-14
AXLE MANUAL	80267
AXLE BILL OF MATERIAL	80298

THIS DRAWING IS FOR INFORMATION PURPOSES ONLY AND MAY BE SUBJECT TO CHANGE. ANY DEVIATION MUST BE REQUESTED AND APPROVED IN WRITING. THE SPECIFICATION AND INSTALLATION OF THIS EQUIPMENT IS SOLELY THE RESPONSIBILITY OF THE INSTALLER. INSTALLATION INSTRUCTIONS AND GUIDELINES CAN BE FOUND ON WWW.GRANNINGAXLES.IE
CAPACITY IS BASED ON SUSPENSION, TERRAIN, SPEED AND SUSPENSION OVERHANG. PLEASE FILL IN THE AXLE REQUEST FORM FOR THE AXLE CAPACITY

GRANNING LTD CLAIMS PROPRIETARY RIGHTS TO ALL THE INFORMATION DISCLOSED ON THIS DRAWING. IT IS NOT TO BE REPRODUCED OR USED FOR MANUFACTURE OR FOR ANY OTHER PURPOSE OR DISCLOSED TO ANY THIRD PARTY WITHOUT OUR WRITTEN PERMISSION.		DO NOT SCALE DRAWING	REVISION A	SHEET 1 OF 1
DEBURR AND BREAK SHARP EDGES		 <small>site and suspension solutions</small> GRANNINGLXN.COM GRANNINGAXLES.IE		
NAME	DATE			
DRAWN	25/09/2018			
CHK'D	25/09/2018			
APP'VD	XXXXXX XXXXXX			
UNLESS OTHERWISE SPECIFIED, DIMENSIONS ARE MILLIMETERS		TITLE: 860 SERIES STEER AXLE GROUP DRAWING		
LINEAR:		DWG NO. 80368		
NO DECIMALS- X +/-1mm				
ONE DECIMAL- XX +/-0.5mm				
TWO DECIMALS- XXX +/-0.2mm				
ANGULAR: 3 Degrees				
QUALITY CHECKS CARRIED OUT ON DIMENSIONS IN () BOXES				
A	INITIAL RELEASE	25/09/2018		
REV	DCN	DATE		