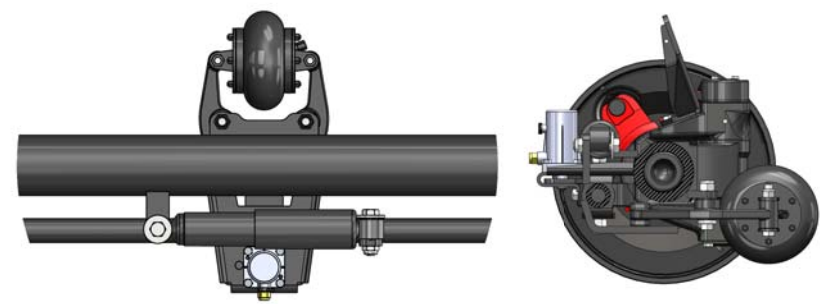
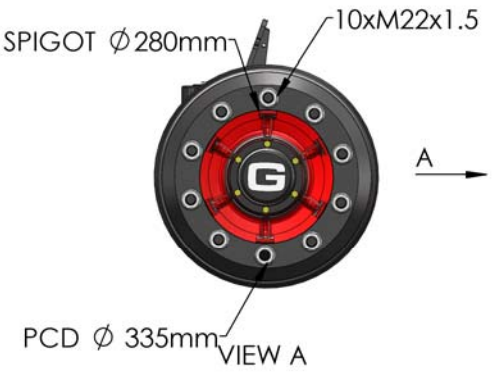
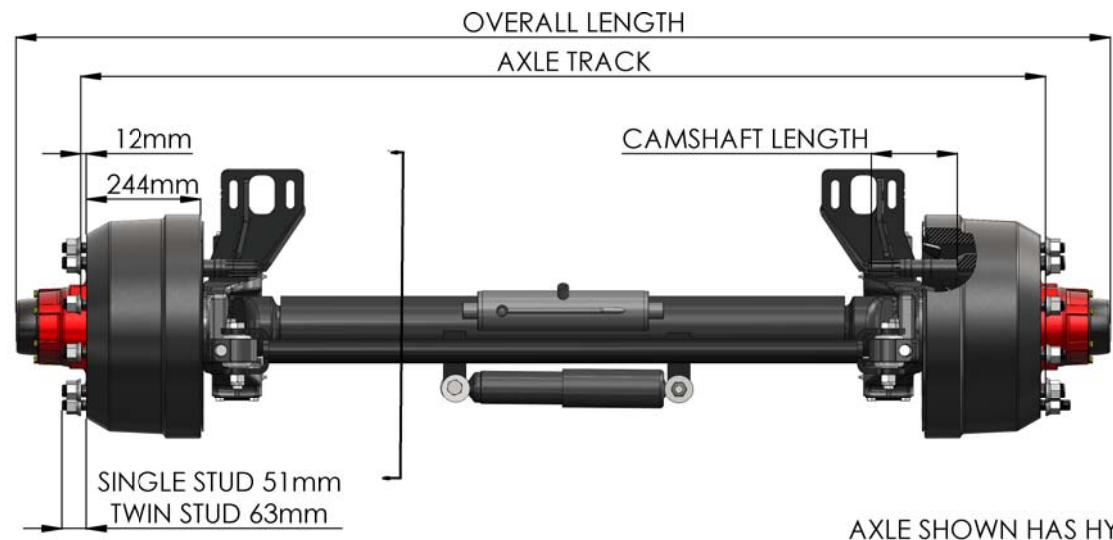


AXLE PART NUMBER	TRACK ±5 (mm)	CAMSHAFT LENGTH (mm)	WHEEL BOLT AND NUT	LOCKING MECHANISM	OVERALL LENGTH (mm)	SUSPENSION	INSIDE DRUM TO INSIDE DRUM (mm)	ACB TYPE
60183S1	2045	189	SINGLE WHEEL ISO NUT	HYDRAULIC	2317	UNDERSLUNG	1523	TOP 38mm OFFSET SLACK
60183S2	2045	189	SINGLE WHEEL ISO NUT	HYDRAULIC	2317	OVERSLUNG	1523	TOP 38mm OFFSET SLACK
60183S4	2045	189	SINGLE WHEEL ISO NUT	AIR	2317	OVER/UNDERSLUNG	1523	TOP 38mm OFFSET SLACK
60183S5	2045	189	SINGLE WHEEL ISO NUT	AIR	2317	OVER/UNDERSLUNG	1523	BOTTOM STRAIGHT SLACK
60183S9	2045	189	SINGLE WHEEL DIN NUT	HYDRAULIC	2317	UNDERSLUNG	1523	TOP 38mm OFFSET SLACK
60183S14	2045	212	SINGLE WHEEL ISO NUT	HYDRAULIC	2317	OVERSLUNG	1523	TOP STRAIGHT SLACK
60183S16	2045	212	SINGLE WHEEL ISO NUT	HYDRAULIC	2317	UNDERSLUNG	1523	TOP STRAIGHT SLACK
60145S1	1920	189	SINGLE WHEEL ISO NUT	HYDRAULIC	2192	OVERSLUNG	1398	TOP 38mm OFFSET SLACK
60117S1	1820	189	SINGLE WHEEL ISO NUT	HYDRAULIC	2092	UNDERSLUNG	1298	TOP 38mm OFFSET SLACK



AIR LOCKING SETUP



AXLE SHOWN HAS HYDRAULIC RAM ON TOP SO THE AXLE IS FOR UNDERSLUNG SUSPENSIONS



AXLE BEAM	Ø127
BEARING	INNER 218248 OUTER 33213
BRAKE SIZE	420mmx180mm
CAMSHAFT	10 SPLINE (SAE 1-1/2"-10C)
TUV NUMBER	BRAKE TEST LOAD 11,000Kg TUV 361-042-14
AXLE MANUAL	80265
AXLE BILL OF MATERIAL	80294

LEVER LENGTH (mm)	BRAKE CHAMBER TO CLEVIS PIN (mm)
127	84
152	127

THIS DRAWING IS FOR INFORMATION PURPOSES ONLY AND MAY BE SUBJECT TO CHANGE. ANY DEVIATION MUST BE REQUESTED AND APPROVED IN WRITING. THE SPECIFICATION AND INSTALLATION OF THIS EQUIPMENT IS SOLELY THE RESPONSIBILITY OF THE INSTALLER. INSTALLATION INSTRUCTIONS AND GUIDELINES CAN BE FOUND ON WWW.GRANNINGAXLES.IE
CAPACITY IS BASED ON SUSPENSION, TERRAIN, SPEED AND SUSPENSION OVERHANG. PLEASE FILL IN THE AXLE REQUEST FORM FOR THE AXLE CAPACITY

GRANNING LTD CLAIMS PROPRIETARY RIGHTS TO ALL THE INFORMATION DISCLOSED ON THIS DRAWING IT IS NOT TO BE REPRODUCED OR USED FOR MANUFACTURE OR FOR ANY OTHER PURPOSE OR DISCLOSED TO ANY THIRD PARTY WITHOUT OUR WRITTEN PERMISSION.		DO NOT SCALE DRAWING	REVISION A	SHEET 1 OF 1
DEBURR AND BREAK SHARP EDGES				
		NAME	DATE	
		DRAWN	21/09/2018	
		CHK'D	21/09/2018	
		APP'VD	XXXXXX	XXXXXX
UNLESS OTHERWISE SPECIFIED: DIMENSIONS ARE MILLIMETERS				
LINEAR: NO DECIMALS- X +/-1mm				
ONE DECIMAL- XX +/-0.5mm				
TWO DECIMALS- XXX +/-0.2mm				
ANGULAR: 3 Degrees				
QUALITY CHECKS CARRIED OUT ON DIMENSIONS IN () BOXES				
A	INITIAL RELEASE	21/09/2018		
REV	DCN	DATE		
		granning steer and suspension solutions		
		TITLE: 100 SERIES STEER AXLE GROUP DRAWING		
		DWG NO. 80366		