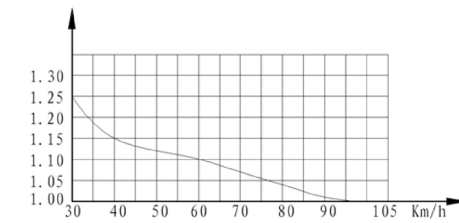
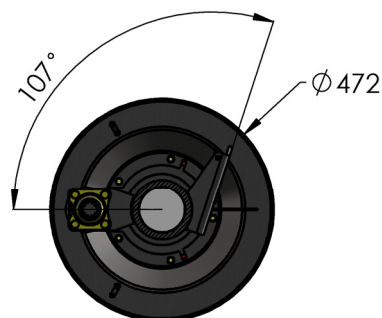
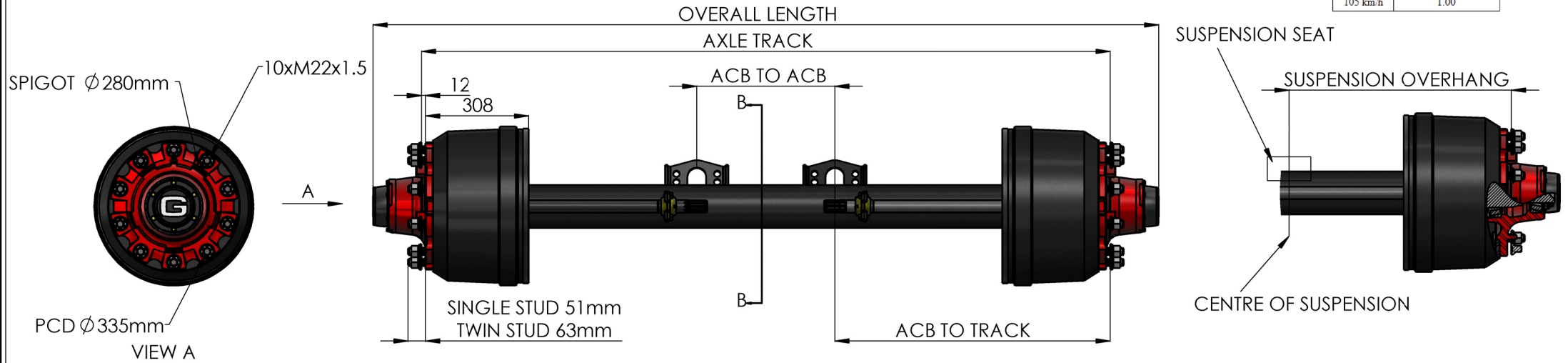


AXLE PART NUMBER	TRACK ±5 (mm)	CAMSHAFT LENGTH (mm)	WHEEL BOLT AND NUT	ACB TO ACB (mm)	OVERALL LENGTH (mm)	ACB TO TRACK (mm)	INSIDE DRUM TO INSIDE DRUM (mm)
60144	2100	618	SINGLE WHEEL ISO NUT	468	2400	816	1463
60191	2110	618	TWIN WHEEL ISO NUT	478	2410	816	1473
60193	2124	618	SINGLE WHEEL ISO NUT	492	2424	816	1487
60194	2045	618	SINGLE WHEEL ISO NUT	413	2345	816	1408
60196	1830	519	TWIN WHEEL ISO NUT	392	2130	717	1193
60587	1884	618	TWIN WHEEL ISO NUT	252	2184	816	1328
60588	2430	618	SINGLE WHEEL ISO NUT	798	2730	816	1793
60591	2350	618	TWIN WHEEL ISO NUT	718	2650	816	1713

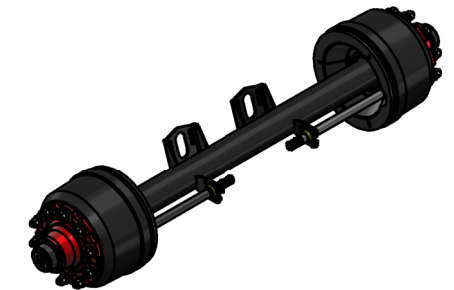
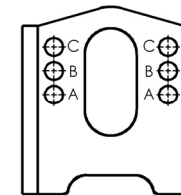
MAX AXLE LOAD (kg) (105kph)	OVERHANG (mm)
11340	425
11031	438
10723	451
10428	464
10151	476
9888	489
9634	502
9398	514
9172	527
8954	540



Speed	Loading coefficient
30 km/h	1.25
40 km/h	1.15
50 km/h	1.12
60 km/h	1.10
70 km/h	1.07
80 km/h	1.04
90 km/h	1.01
105 km/h	1.00



ACB HOLE POSITION	LEVER LENGTH (mm)	BRAKE CHAMBER TO CLEVIS PIN (mm)
A-A	127	184
A-B	140	181
B-B	152	179
B-C	165	175
C-C	178	171



AXLE BEAM	Ø 127x16
BEARING	INNER 218248 OUTER 33213
BRAKE SIZE	420mmx220mm
CAMSHAFT	10 SPLINE (SAE 1-1/2"-10C)
TUV NUMBER	BRAKE TEST LOAD 11,000Kg TUV 361-019-14
AXLE MANUAL	80258
AXLE BILL OF MATERIAL	80286

SECTION B-B POSITION OF THE AIR CHAMBER BRACKET TO THE CAMSHAFT

THIS DRAWING IS FOR INFORMATION PURPOSES ONLY AND MAY BE SUBJECT TO CHANGE. ANY DEVIATION MUST BE REQUESTED AND APPROVED IN WRITING. THE SPECIFICATION AND INSTALLATION OF THIS EQUIPMENT IS SOLELY THE RESPONSIBILITY OF THE INSTALLER. INSTALLATION INSTRUCTIONS AND GUIDELINES CAN BE FOUND ON WWW.GRANNINGAXLES.IE
CAPACITY IS BASED ON SUSPENSION, TERRAIN, SPEED AND SUSPENSION OVERHANG. PLEASE FILL IN THE AXLE REQUEST FORM FOR THE AXLE CAPACITY

GRANNING LTD CLAIMS PROPRIETARY RIGHTS TO ALL THE INFORMATION DISCLOSED ON THIS DRAWING. IT IS NOT TO BE REPRODUCED OR USED FOR MANUFACTURE OR FOR ANY OTHER PURPOSE OR DISCLOSED TO ANY THIRD PARTY WITHOUT OUR WRITTEN PERMISSION.

DEBURR AND BREAK SHARP EDGES		
	NAME	DATE
	DRAWN	10/07/2018
	CHK'D	10/07/2018
	APP'VD	XXXXXX XXXXXX
UNLESS OTHERWISE SPECIFIED: DIMENSIONS ARE MILLIMETERS		
LINEAR: NO DECIMALS- X +/-1mm		
ONE DECIMAL- XX +/-0.5mm		
TWO DECIMALS- XXX +/-0.2mm		
ANGULAR: 3 Degrees		
QUALITY CHECKS CARRIED OUT ON DIMENSIONS IN () BOXES		
REV	DATE	
A	INITIAL RELEASE	10/07/2018
REV	DATE	

DO NOT SCALE DRAWING REVISION A SHEET 1 OF 1

granning
sale and suspension solutions

GRANNINGLXN.COM GRANNINGAXLES.IE

TITLE: 150 SERIES GROUP DRAWING

DWG NO. 80351