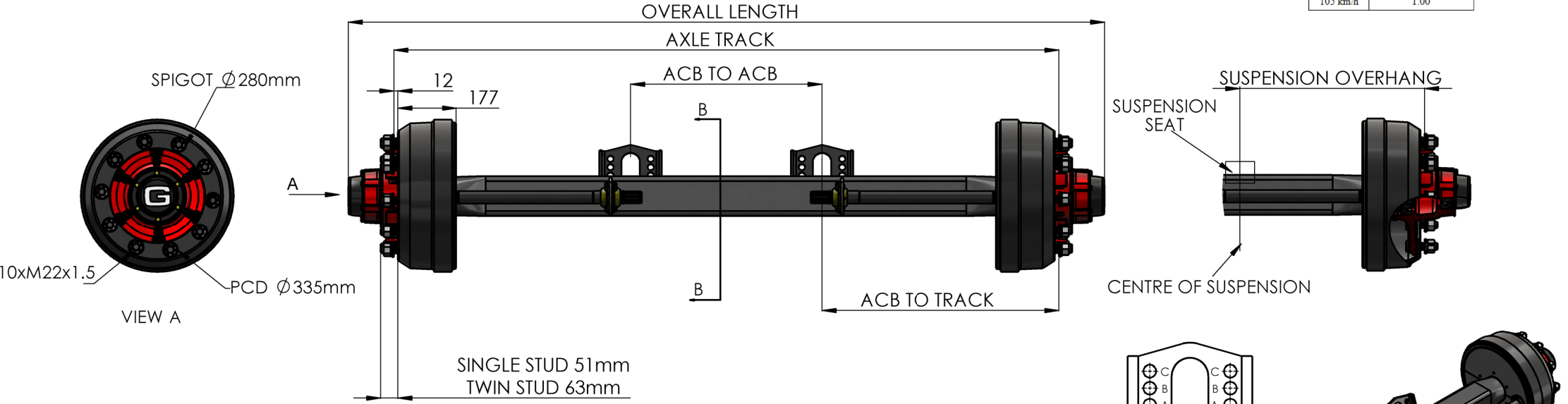
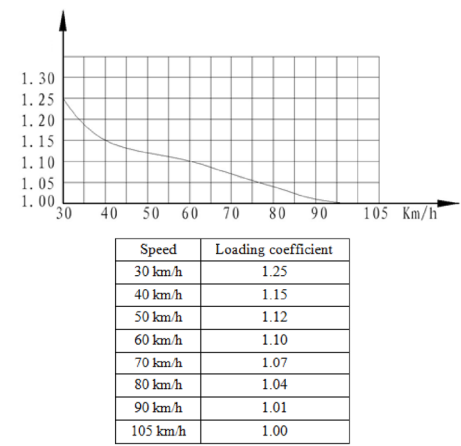
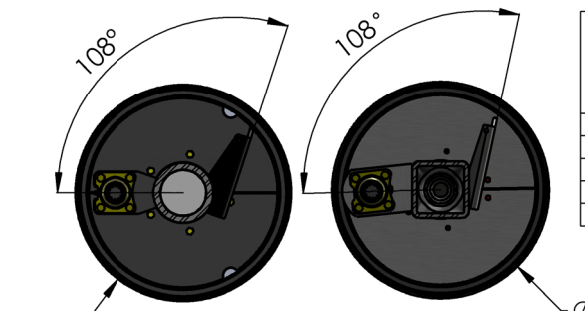


AXLE PART NUMBER	TRACK ±5 (mm)	CAMSHAFT LENGTH (mm)	WHEEL BOLT AND NUT	ACB TO ACB (mm)	OVERALL LENGTH (mm)	ACB TO TRACK (mm)	INSIDE DRUM TO INSIDE DRUM (mm)	BEAM TYPE
60860FR	1820	618	SINGLE WHEEL ISO NUT	341	2093	739	1443	Ø127
60861FR	1900	618	SINGLE WHEEL ISO NUT	421	2173	739	1523	Ø127
60862FR	1950	618	SINGLE WHEEL ISO NUT	471	2223	739	1573	Ø127
60863FR	2000	618	SINGLE WHEEL ISO NUT	521	2273	739	1623	Ø127
60863FD	2000	618	SINGLE WHEEL DIN NUT	521	2273	739	1623	□120
60864FR	2100	618	SINGLE WHEEL ISO NUT	621	2373	739	1723	Ø127
60885FD	2350	618	SINGLE WHEEL DIN NUT	871	2623	739	1973	□120
60894FRD	2224	618	SINGLE WHEEL ISO NUT	745	2497	739	1847	Ø127

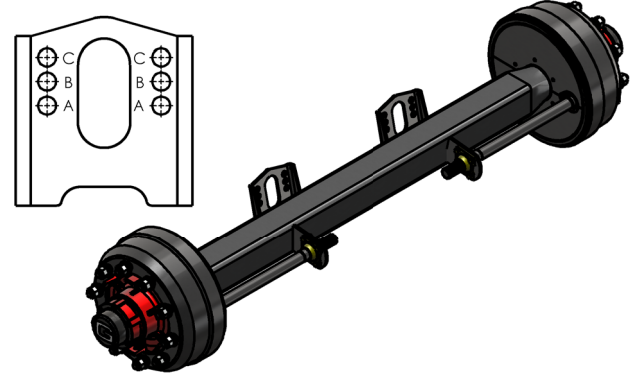
127 Ø		120 □	
MAX AXLE LOAD (Kg) (105Kph)	MAX AXLE LOAD (Kg) (105Kph)	OVERHANG (mm)	
10200	11300	425	
9910	11000	438	
9630	10700	451	
9365	10400	464	
9115	10100	476	
8880	9900	489	
8655	9600	502	
8440	9400	514	
8235	9100	527	
8040	9000	540	



AXLE BEAM	□120x14 or Ø127x12
BEARING	INNER 218248 OUTER 33213
BRAKE SIZE	406mmx120mm
CAMSHAFT	10 SPLINE (SAE 1-1/2"-10C)
TUV NUMBER	BRAKE TEST LOAD 10,000Kg TUV 361-033-14
AXLE MANUAL	80261
AXLE BILL OF MATERIAL	80284



ACB HOLE POSITION	127 Ø		120 □	
	LEVER LENGTH (mm)	BRAKE CHAMBER TO CLEVIS PIN (mm)	BRAKE CHAMBER TO CLEVIS PIN (mm)	BRAKE CHAMBER TO CLEVIS PIN (mm)
A-A	127	-	-	-
B-A	140	204	191	191
B-B	152	201	188	188
B-C	165	198	185	185
C-C	178	195	182	182



GRANNING LTD CLAIMS PROPRIETARY RIGHTS TO ALL THE INFORMATION DISCLOSED ON THIS DRAWING. IT IS NOT TO BE REPRODUCED OR USED FOR MANUFACTURE OR FOR ANY OTHER PURPOSE OR DISCLOSED TO ANY THIRD PARTY WITHOUT OUR WRITTEN PERMISSION.		DO NOT SCALE DRAWING	REVISION A	SHEET 1 OF 1
DEBURR AND BREAK SHARP EDGES		 <small>GRANNING LYNX.COM GRANNINGAXLES.IE</small>		
NAME	DATE			
DRAWN	23/07/2018			
CHK'D	U SHINE 23/07/2018			
APP'VD	XXXXXX XXXXXX	UNLESS OTHERWISE SPECIFIED: DIMENSIONS ARE MILLIMETERS LINEAR: NO DECIMALS- X ±1mm ONE DECIMAL- XX ±0.5mm TWO DECIMALS- XXX ±0.2mm ANGULAR: 3 Degrees QUALITY CHECKS CARRIED OUT ON DIMENSIONS IN () BOXES		
A	INITIAL RELEASE 23/07/2018	TITLE: 860 SERIES F GROUP DRAWING		
REV	DCN DATE	DWG NO. 80355		

THIS DRAWING IS FOR INFORMATION PURPOSES ONLY AND MAY BE SUBJECT TO CHANGE. ANY DEVIATION MUST BE REQUESTED AND APPROVED IN WRITING. THE SPECIFICATION AND INSTALLATION OF THIS EQUIPMENT IS SOLELY THE RESPONSIBILITY OF THE INSTALLER. INSTALLATION INSTRUCTIONS AND GUIDELINES CAN BE FOUND ON WWW.GRANNINGAXLES.IE CAPACITY IS BASED ON SUSPENSION, TERRAIN, SPEED AND SUSPENSION OVERHANG. PLEASE FILL IN THE AXLE REQUEST FORM FOR THE AXLE CAPACITY