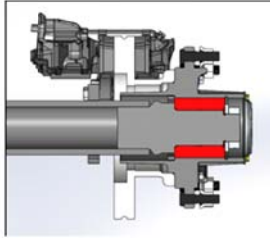
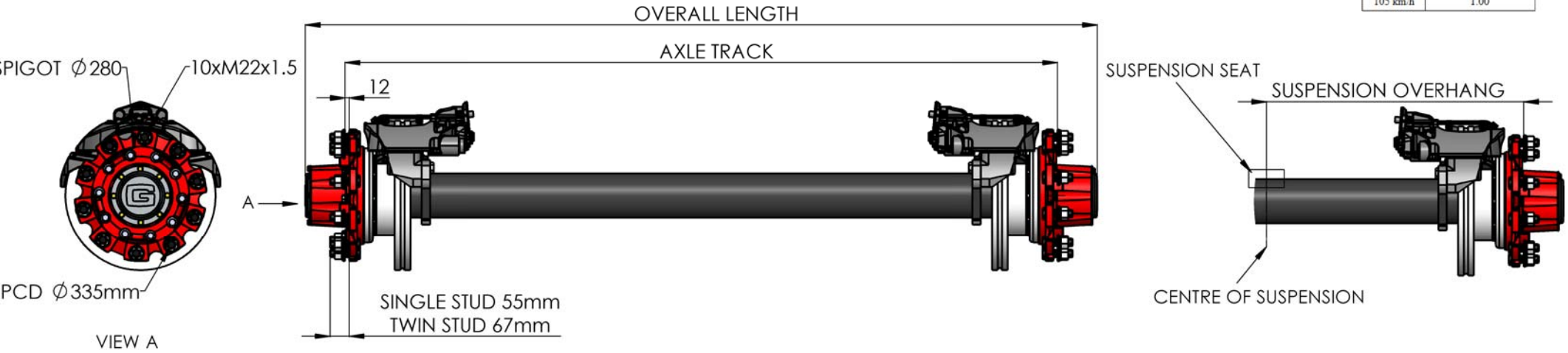
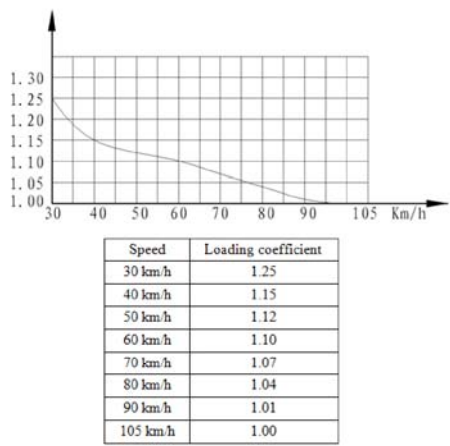
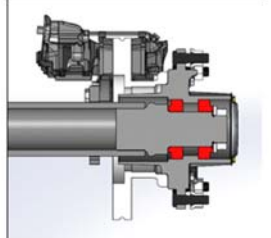


AXLE PART NUMBER	TRACK ±5 (mm)	BEARING TYPE	WHEEL BOLT AND NUT	OVERALL LENGTH (mm)	WHEEL TYPE	BEARING CAPACITY (Kg)
60700	2286	OFFSET	SINGLE WHEEL ISO NUT	2412	OFFSET	7500
60723	1850	TWIN	TWIN WHEEL ISO NUT	2072	TWIN	11000
60729	1840	UNIPAC	TWIN WHEEL ISO NUT	2062	TWIN	11000
60731	2174	UNIPAC	SINGLE WHEEL ISO NUT	2396	TWIN	11000
60745	2045	UNIPAC	SINGLE WHEEL ISO NUT	2267	SINGLE CENTRE NAIVE	11000
60748	1820	UNIPAC	TWIN WHEEL ISO NUT	2042	TWIN	11000

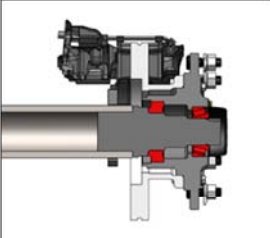
MAX AXLE LOAD (kg) (105kph)	OVERHANG (mm)
11340	425
11031	438
10723	451
10428	464
10151	476
9888	489
9634	502
9398	514
9172	527
8954	540



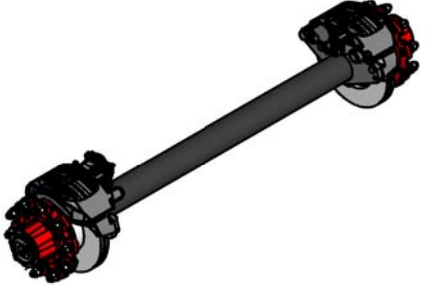
UNIPAC BEARING
BEARING PART
NUMBER 61266



TWIN BEARING
BEARING PART
NUMBER 61296



OFFSET HUB
BEARING PART
NUMBER 61264/65



AXLE BEAM	Ø127x16
ROTAR SIZE	Ø430mm
TUV NUMBER	KNORR BREMSE CALIPER 11500Kg 361-026-08
	WABCO CALIPER 11500Kg 361-027-08
AXLE MANUAL	80259
AXLE BILL OF MATERIAL	80285

THIS DRAWING IS FOR INFORMATION PURPOSES ONLY AND MAY BE SUBJECT TO CHANGE. ANY DEVIATION MUST BE REQUESTED AND APPROVED IN WRITING. THE SPECIFICATION AND INSTALLATION OF THIS EQUIPMENT IS SOLELY THE RESPONSIBILITY OF THE INSTALLER. INSTALLATION INSTRUCTIONS AND GUIDELINES CAN BE FOUND ON WWW.GRANNINGAXLES.IE
CAPACITY IS BASED ON SUSPENSION, TERRAIN, SPEED AND SUSPENSION OVERHANG. PLEASE FILL IN THE AXLE REQUEST FORM FOR THE AXLE CAPACITY

GRANNING LTD CLAIMS PROPRIETARY RIGHTS TO ALL THE INFORMATION DISCLOSED ON THIS DRAWING. IT IS NOT TO BE REPRODUCED OR USED FOR MANUFACTURE OR FOR ANY OTHER PURPOSE OR DISCLOSED TO ANY THIRD PARTY WITHOUT OUR WRITTEN PERMISSION.	
DEBURR AND BREAK SHARP EDGES	
	NAME DATE
DRAWN	CUNNINGHAM 23/07/2018
CHK'D	J. SHINE 23/07/2018
APP'VD	XXXXXX XXXXXX
UNLESS OTHERWISE SPECIFIED: DIMENSIONS ARE MILLIMETERS LINEAR: NO DECIMALS- X ±1mm ONE DECIMAL- XX ±0.5mm TWO DECIMALS- XXX ±0.2mm ANGULAR: 3 Degrees QUALITY CHECKS CARRIED OUT ON DIMENSIONS IN () BOXES	
REV	DATE
A	INITIAL RELEASE 23/07/2018
DCN	DATE

DO NOT SCALE DRAWING	REVISION A	SHEET 1 OF 1
 GRANNINGAXLES.IE		
TITLE: 7000 SERIES GROUP DRAWING		
DWG NO.	80360	