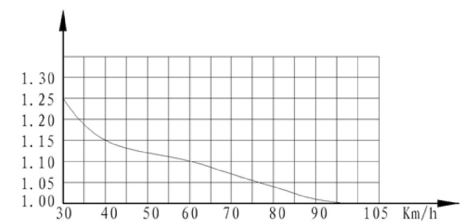


AXLE PART NUMBER	TRACK ±5 (mm)	BEARING TYPE	WHEEL BOLT AND NUT	OVERALL LENGTH (mm)	WHEEL TYPE	BEARING CAPACITY (Kg)
60610	1820	TWIN	TWIN 10x WHEEL ISO NUT	2348	TWIN	11,000Kg
60615	2045	TWIN	SINGLE 10x WHEEL ISO NUT	2273	SINGLE CENTRE NAIVE	11,000Kg
60620	1820	TWIN	TWIN 8x WHEEL ISO NUT	2348	TWIN	11,000Kg
60632	2045	TWIN	SINGLE 8x WHEEL ISO NUT	2370	SINGLE CENTRE NAIVE	11,000Kg
60674	2184	TWIN	SINGLE 8x WHEEL ISO NUT	2209	SINGLE CENTRE NAIVE	11,000Kg

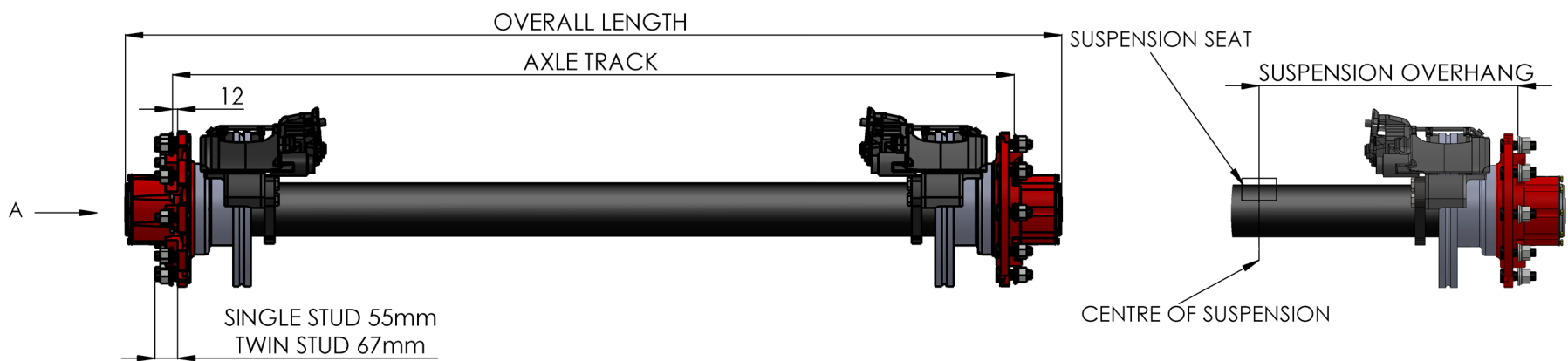
MAX AXLE LOAD (kg) (105kph)	OVERHANG (mm)
11340	425
11031	438
10723	451
10428	464
10151	476
9888	489
9634	502
9398	514
9172	527
8954	540



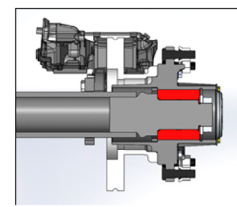
Speed	Loading coefficient
30 km/h	1.25
40 km/h	1.15
50 km/h	1.12
60 km/h	1.10
70 km/h	1.07
80 km/h	1.04
90 km/h	1.01
105 km/h	1.00



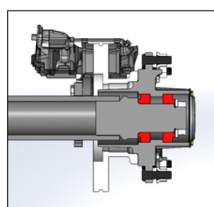
VIEW A



SINGLE STUD 55mm
TWIN STUD 67mm



UNIPAC BEARING
BEARING PART
NUMBER 61266



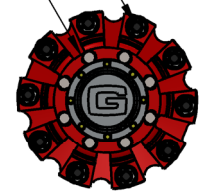
TWIN BEARING
BEARING PART
NUMBER 61296

8xM22 Ø 275mm PCD
SPIGOT Ø 220.5mm

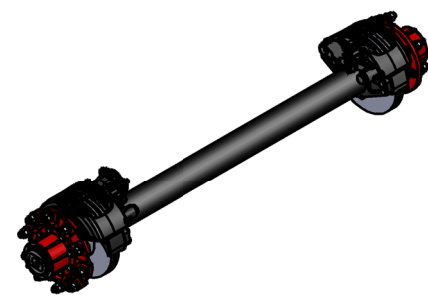
10xM22 Ø 335mm PCD
SPIGOT Ø 280mm



8 STUD



10 STUD



AXLE BEAM	Ø 127x16
ROTAR SIZE	Ø 337mm
TUV NUMBER	WABCO CALIPER 10000Kg 361-031-14
AXLE MANUAL	80259
AXLE BILL OF MATERIAL	80287

THIS DRAWING IS FOR INFORMATION PURPOSES ONLY AND MAY BE SUBJECT TO CHANGE. ANY DEVIATION MUST BE REQUESTED AND APPROVED IN WRITING. THE SPECIFICATION AND INSTALLATION OF THIS EQUIPMENT IS SOLELY THE RESPONSIBILITY OF THE INSTALLER. INSTALLATION INSTRUCTIONS AND GUIDELINES CAN BE FOUND ON WWW.GRANNINGAXLES.IE
CAPACITY IS BASED ON SUSPENSION, TERRAIN, SPEED AND SUSPENSION OVERHANG. PLEASE FILL IN THE AXLE REQUEST FORM FOR THE AXLE CAPACITY

GRANNING LTD CLAIMS PROPRIETARY RIGHTS TO ALL THE INFORMATION DISCLOSED ON THIS DRAWING. IT IS NOT TO BE REPRODUCED OR USED FOR MANUFACTURE OR FOR ANY OTHER PURPOSE OR DISCLOSED TO ANY THIRD PARTY WITHOUT OUR WRITTEN PERMISSION.		DO NOT SCALE DRAWING	REVISION A	SHEET 1 OF 1
DEBURR AND BREAK SHARP EDGES				
		NAME	DATE	
		DRAWN	25/07/2018	
		CHK'D	25/07/2018	
		APP'VD	XXXXXX	XXXXXX
UNLESS OTHERWISE SPECIFIED: DIMENSIONS ARE MILLIMETERS				
LINEAR: NO DECIMALS- X +/-1mm				
ONE DECIMAL- XX +/-0.5mm				
TWO DECIMALS- XXX +/-0.2mm				
ANGULAR: 3 Degrees				
QUALITY CHECKS CARRIED OUT ON DIMENSIONS IN () BOXES				
REV	INITIALS	DATE		
A	DCN	25/07/2018		

granning
axle and suspension solutions
GRANNINGLXN.COM GRANNINGAXLES.IE

TITLE: 6000 SERIES GROUP DRAWING

DWG NO. 80361