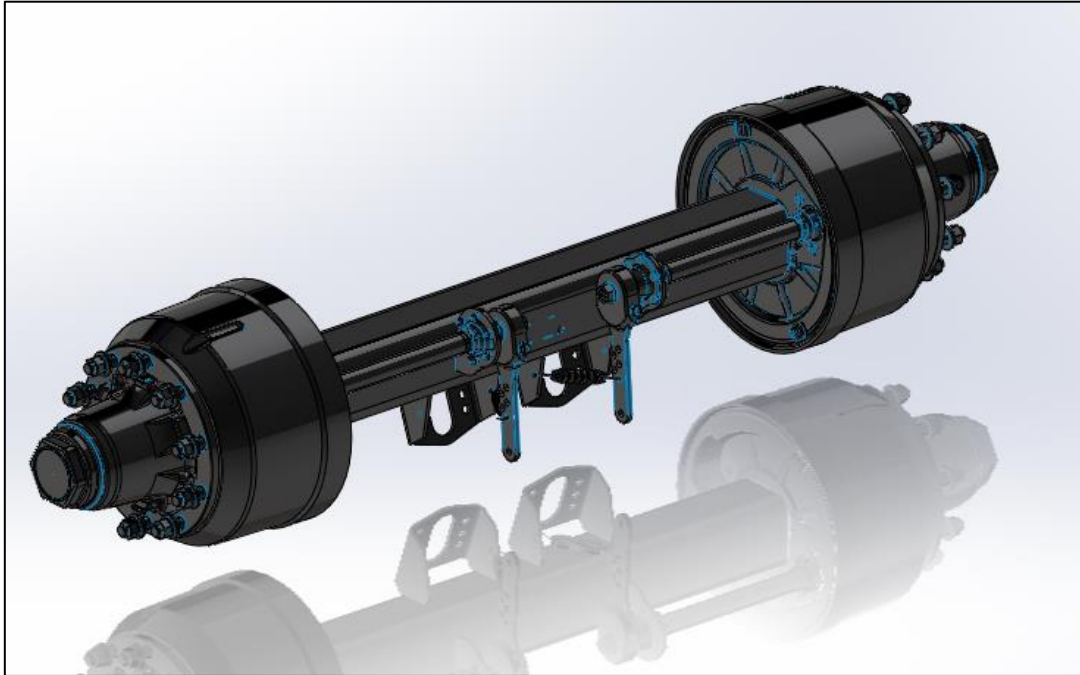




## 420 x 200 – 500B SERIES AXLES



**500B series axle is tested to a max capacity of 18000Kg.**

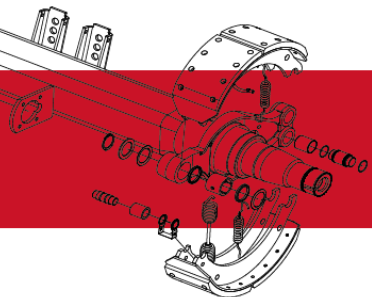
**335mm PCD 10 stud M22 hub and drum. 280.8mm hub pilot**

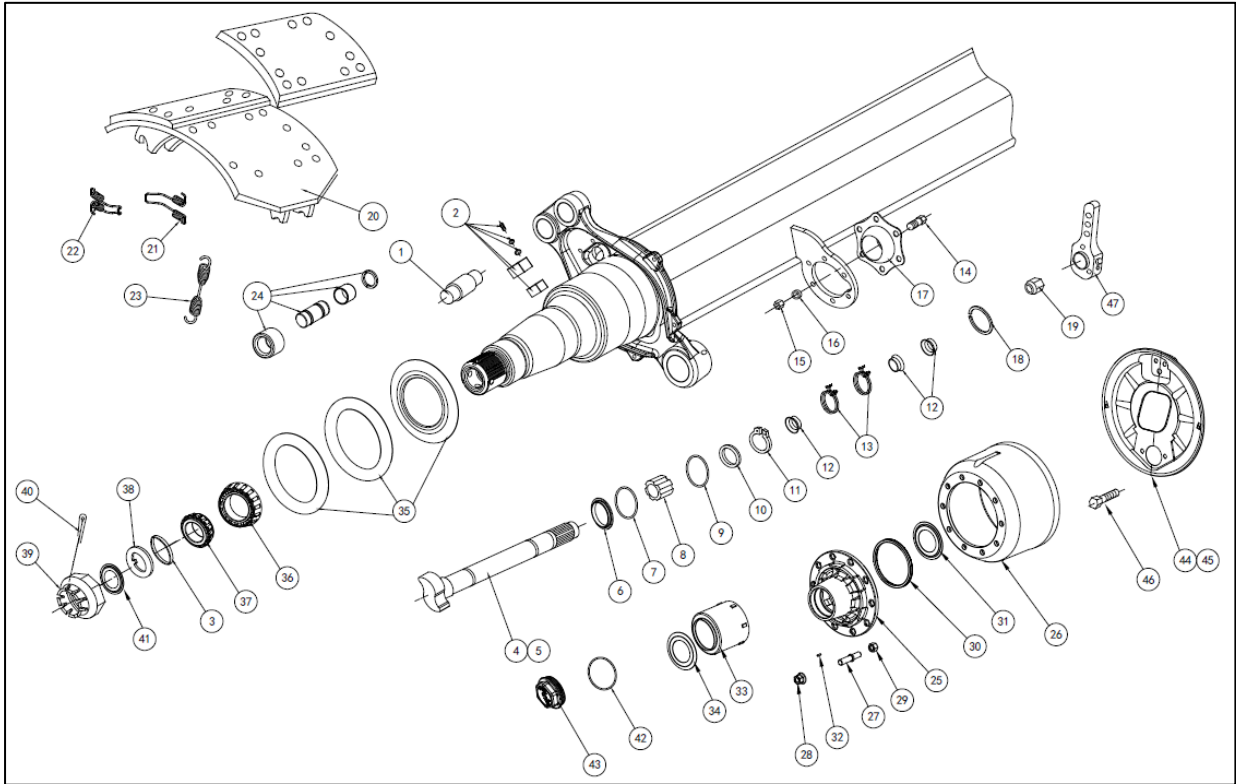
**Available in M24 twin wheel stud**

**10 spline camshaft**

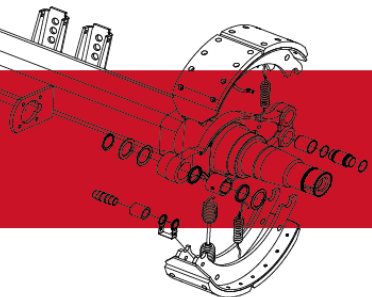
**Service manual available on website**

**Please see following pages for part identification**





Item	Description	Part No.	QTY per Axle
1	Anchor Pin	62136	4
2	ABS Bracket	61801	2
3	Spindle Plug	61802	2
4	Left Camshaft	61803	1
5	Right Camshaft	61804	1
6	Camshaft "D" Washer	61805	2
7	Camshaft Head Grease Seal	61828	2
8	Camshaft Anchor Bracket Bush	61829	2
9	Camshaft "O" Ring	61830	2
10	Camshaft Washer	61806	2
11	Camshaft Circlip	61807	2
12	Anchor Bracket Dust Shield	61808	6
13	Camshaft Clamp	61809	4
14	Spherical Bearing Bolt M8 x 30	61831	12
15	Spherical Bearing Nut M8	61832	12
16	Spherical Bearing Washer Ø8	61833	12
17	Spherical Bearing	61810	2
18	Camshaft Snap Ring	61811	2
19	Camshaft End Nut	61812	2
20	420 x 200 Brake Shoe PL244	61813	4
21	Brake Shoe Retaining Spring (Loop)	62121	2
22	Brake Shoe Retaining Spring (Hook)	62120	2



23	Brake Shoe Return Spring	62122	2
24	Cam Roller	62123	4
25	Hub Spigot – 10 Stud	61814	2
26	Brake Drum – 10 Stud	97645	2
27	M24 Wheelbolt (Twin)	97642	20
28	M24 ISO Wheel Nut	97643	20
29	M22 Internal Nut	97644	20
30	Inner Bearing Oil Seal – Part 1	61816	2
31	Inner Bearing Oil Seal – Part 2	61817	2
32	Hub Pin Ø6	61834	20
33	Hub Middle Spacer	61835	2
34	Outer Bearing Oil Seal – Part 1	61836	2
35	Hub Grease Seal	61818	2
36	Inner Bearing – 32222	97638	2
37	Outer Bearing – 32314	97639	2
38	Spindle Thrust Washer	61819	2
39	Spindle Castle Nut M60 x 2.0	61820	2
40	Spindle Nut Split Pin	61821	2
41	Outer Bearing Oil Seal – Part 2	61822	2
42	Hub Cap “O” Ring	61823	2
43	Hub Cap	61824	2
44	Dust Cover – Left	61825	1
45	Dust Cover Right	61827	1
46	Dust Cover Bolt M10 x 16	61815	8
47	Slack Adjuster	61826	2

