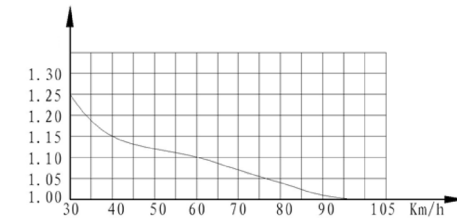
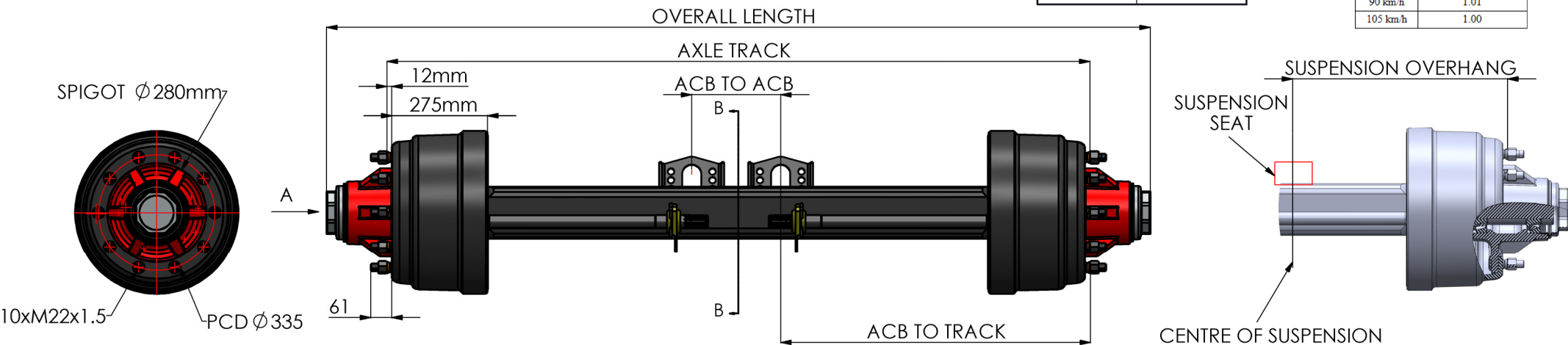


AXLE PART NUMBER	TRACK ±10 (mm)	CAMSHAFT LENGTH (mm)	WHEEL BOLT AND NUT	ACB TO ACB (mm)	OVERALL LENGTH (mm)	ACB TO TRACK (mm)	INSIDE DRUM TO INSIDE DRUM (mm)
60955FD	2050	543	TWIN WHEEL DIN NUT	600	2413	725	1473
60957FD	1840	543	TWIN WHEEL DIN NUT	390	2203	725	1263
60958FD	2324	198	SINGLE WHEEL DIN NUT	1564	2203	310	1744
60961FD	2324	613	TWIN WHEEL DIN NUT	734	2687	795	1747
60965FD	2424	443	TWIN WHEEL DIN NUT	1074	2787	675	1447
60967FD	2024	543	TWIN WHEEL DIN NUT	574	2387	725	1847
60968FD	2174	700	TWIN WHEEL DIN NUT	410	2537	882	1597
60969FD	2224	700	TWIN WHEEL DIN NUT	460	2587	882	1647
60970FD	1924	543	TWIN WHEEL DIN NUT	474	2287	725	1347
60971FD	1840	543	TWIN WHEEL DIN NUT	390	2203	725	1263

MAX AXLE LOAD (kg) (105kph)	OVERHANG (mm)
13,000	455
12,700	467
12,400	480
12,000	493
11,700	505
11,500	518
11,200	531
10900	544
10700	556
10400	569

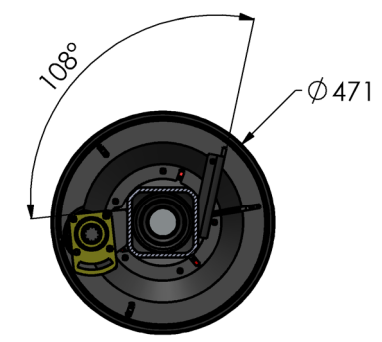


Speed	Loading coefficient
30 km/h	1.25
40 km/h	1.15
50 km/h	1.12
60 km/h	1.10
70 km/h	1.07
80 km/h	1.04
90 km/h	1.01
105 km/h	1.00



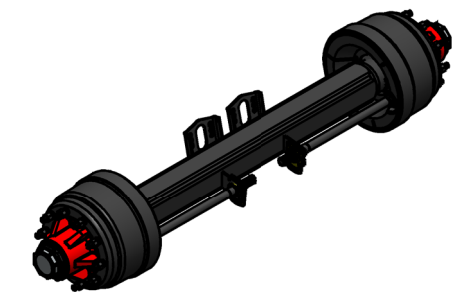
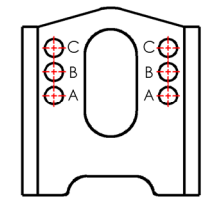
VIEW A

ACB SUPPLIED LOOSE



SECTION B-B

ACB HOLE POSITION	LEVER LENGTH (mm)	BRAKE CHAMBER TO CLEVIS PIN (mm)
A-A	NA	NA
A-B	NA	NA
B-B	152	210
B-C	165	207
C-C	178	205



AXLE BEAM	□ 150x10
BEARING	INNER HM518445/10 OUTER HM518445/10
BRAKE SIZE	420mmx180mm
CAMSHAFT	37 SPLINE (SAE 1-1/2"-10C)
TUV NUMBER	BRAKE TEST LOAD 11,000Kg TUV 361-032-14
AXLE MANUAL	80260
AXLE BILL OF MATERIAL	80288

THIS DRAWING IS FOR INFORMATION PURPOSES ONLY AND MAY BE SUBJECT TO CHANGE. ANY DEVIATION MUST BE REQUESTED AND APPROVED IN WRITING. THE SPECIFICATION AND INSTALLATION OF THIS EQUIPMENT IS SOLELY THE RESPONSIBILITY OF THE INSTALLER. INSTALLATION INSTRUCTIONS AND GUIDELINES CAN BE FOUND ON WWW.GRANNINGAXLES.IE
CAPACITY IS BASED ON SUSPENSION, TERRAIN, SPEED AND SUSPENSION OVERHANG. PLEASE FILL IN THE AXLE REQUEST FORM FOR THE AXLE CAPACITY

GRANNING LTD CLAIMS PROPRIETARY RIGHTS TO ALL THE INFORMATION DISCLOSED ON THIS DRAWING. IT IS NOT TO BE REPRODUCED OR USED FOR MANUFACTURE OR FOR ANY OTHER PURPOSE OR DISCLOSED TO ANY THIRD PARTY WITHOUT OUR WRITTEN PERMISSION.		DO NOT SCALE DRAWING	REVISION A	SHEET 1 OF 1
DEBURR AND BREAK SHARP EDGES				
	NAME	DATE		
	DRAWN	11/07/2018		
	CHK'D	11/07/2018		
	APP'VD	XXXXXX	XXXXXX	
UNLESS OTHERWISE SPECIFIED: DIMENSIONS ARE MILLIMETERS				
LINEAR: NO DECIMALS- X +/-1mm				
ONE DECIMAL- XX +/-0.5mm				
TWO DECIMALS- XXX +/-0.2mm				
ANGULAR: 3 Degrees				
QUALITY CHECKS CARRIED OUT ON DIMENSIONS IN () BOXES				
A	INITIAL RELEASE	20/04/2018		
REV	DCN	DATE		

granning
axle and suspension solutions
GRANNINGLXN.COM
GRANNINGAXLES.IE

TITLE: 950 SERIES F GROUP DRAWING

DWG NO. 80357