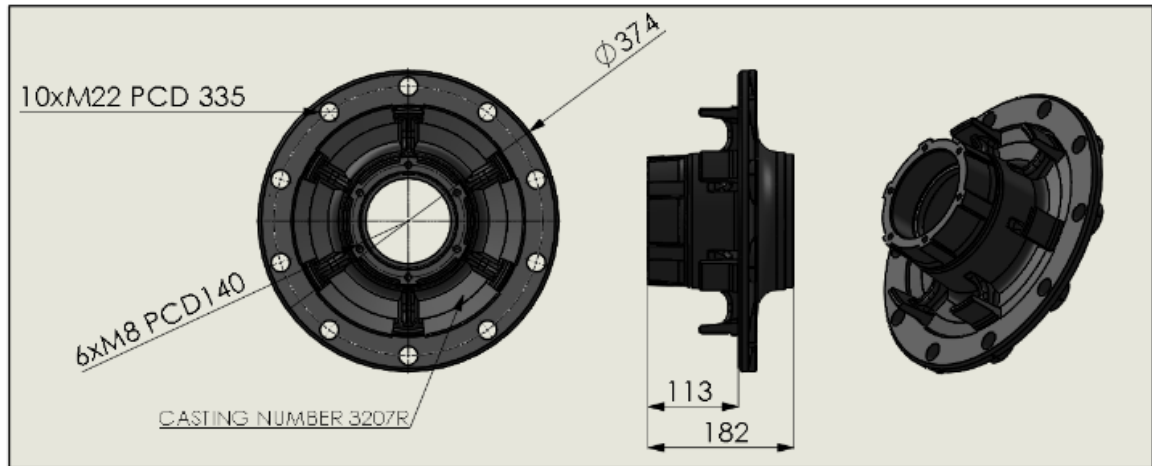


How can I check the part number is the part I need?

In the Bill Of Materials of the axles there are basic drawings of each of the parts so you can double check the dimensions of the part you are looking for.

61253F – Hub



61310 – Locknut

