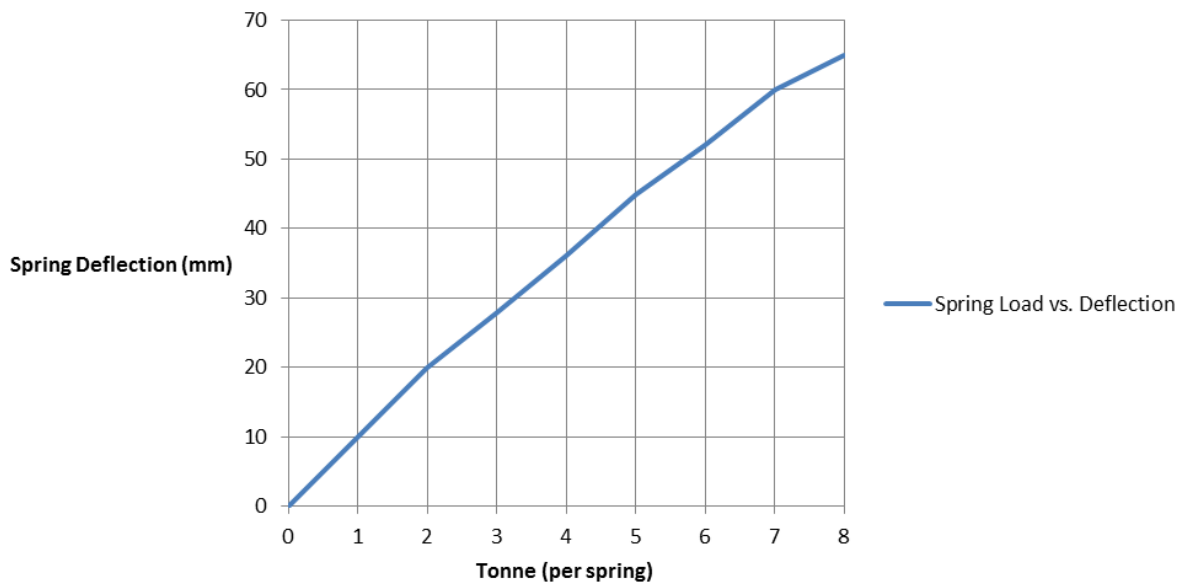


I need the mechanical spring deflection curve on my suspension to set a load sensing valve?

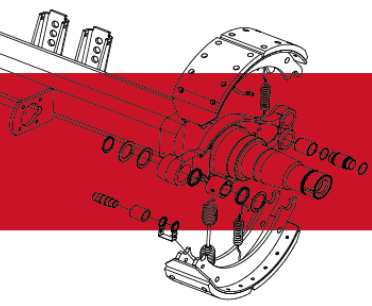
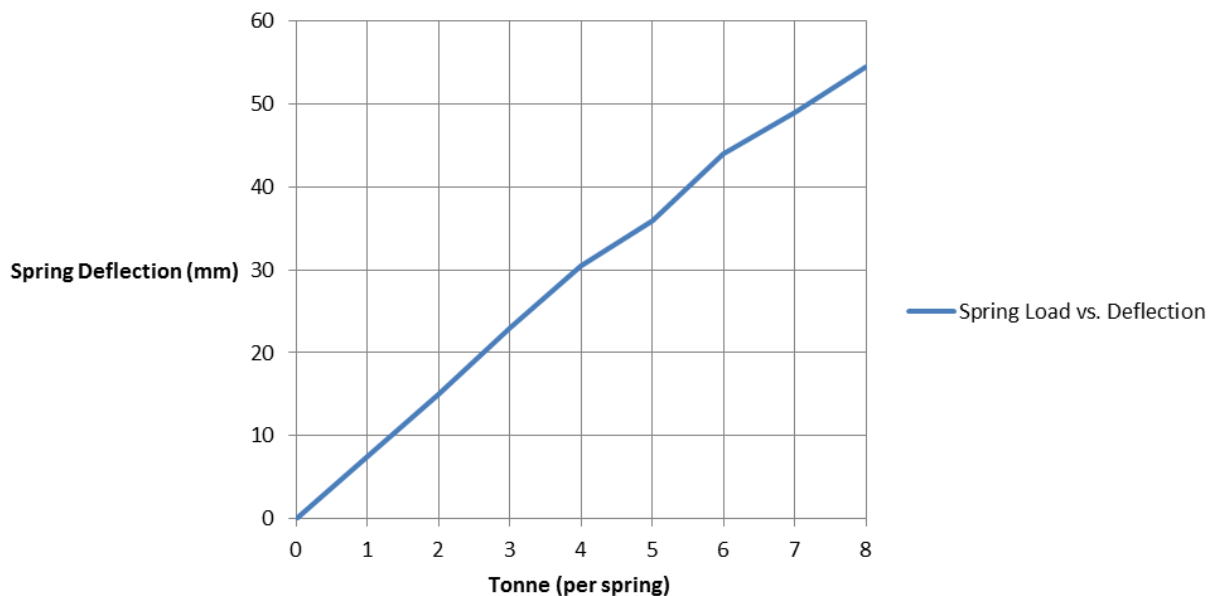
Below are the main spring deflection graphs for Granning mechanical suspensions per spring.

If load on axle using 36032 3 leaf spring is 10tonne then the spring deflection is 45mm.

Spring Load vs. Deflection 3Leaf 36032 76mm wide



Spring Load vs. Deflection 4leaf 36099 76mm wide



Load per Spring (tonnes) Vs Deflection mm 3 Leaf 100mm Wide 97746

