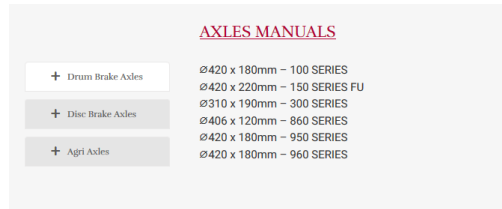
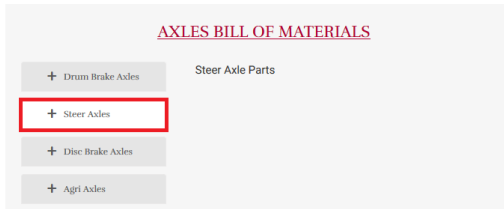
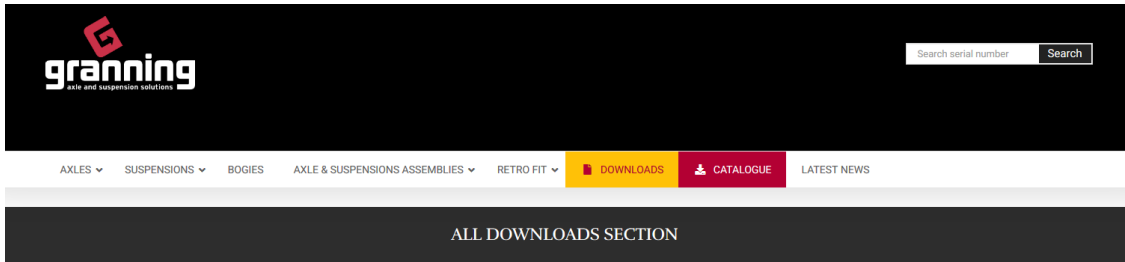


Where do I find the steer axle spare parts information?

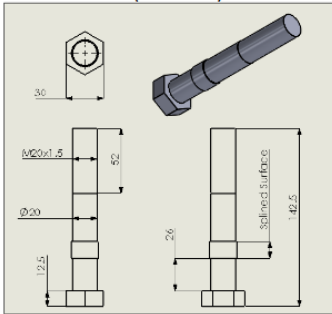
Go to the 'Download' section of the Granning axles website. In the 'Axles Bill Of Materials' in the steer axle section you will find all the steer axle spare parts information.



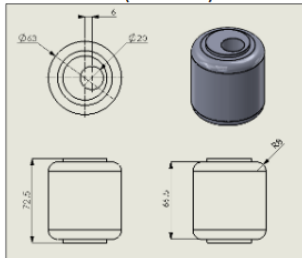

granning axle and suspension solutions

Spare Parts "F" Series Drawings

37039 – Track Rod Bush Bolt M20 (100/300/900)

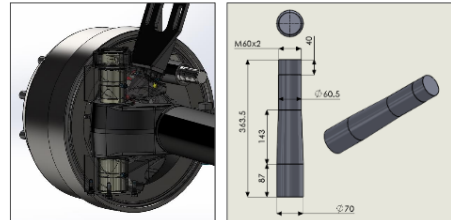


37040 – Track Rod Eccentric Bush (100/300/900)




granning axle and suspension solutions

Kingpin Replacement Components (100 Series Only)



Item No.	Part No.	Description	QTY per Steer Axle
1	37071	Kingpin	2
2	37065	Seal Washer	2
3	37063	Lock Washer	2
4	37058	Kingpin Clamp Ring	2
5	N/A		-
6	37054	Kingpin Cap	2
7	37073	Kingpin Bottom Cap	2
8	N/A		-
9	N/A		-
10	37060	Kingpin Pinch Bolt M10x35	2
11	37052	Kingpin Cap Bolt M8x16	4
12	37075	Kingpin Bottom Cap Bolt M10x16	6
13	37056	Kingpin O-Ring	2
14	37061	Lock Washer Pin	2
15	37067	Kingpin Bush Small – Nylon	2
16	37069	Kingpin Bush Large – Nylon	2

