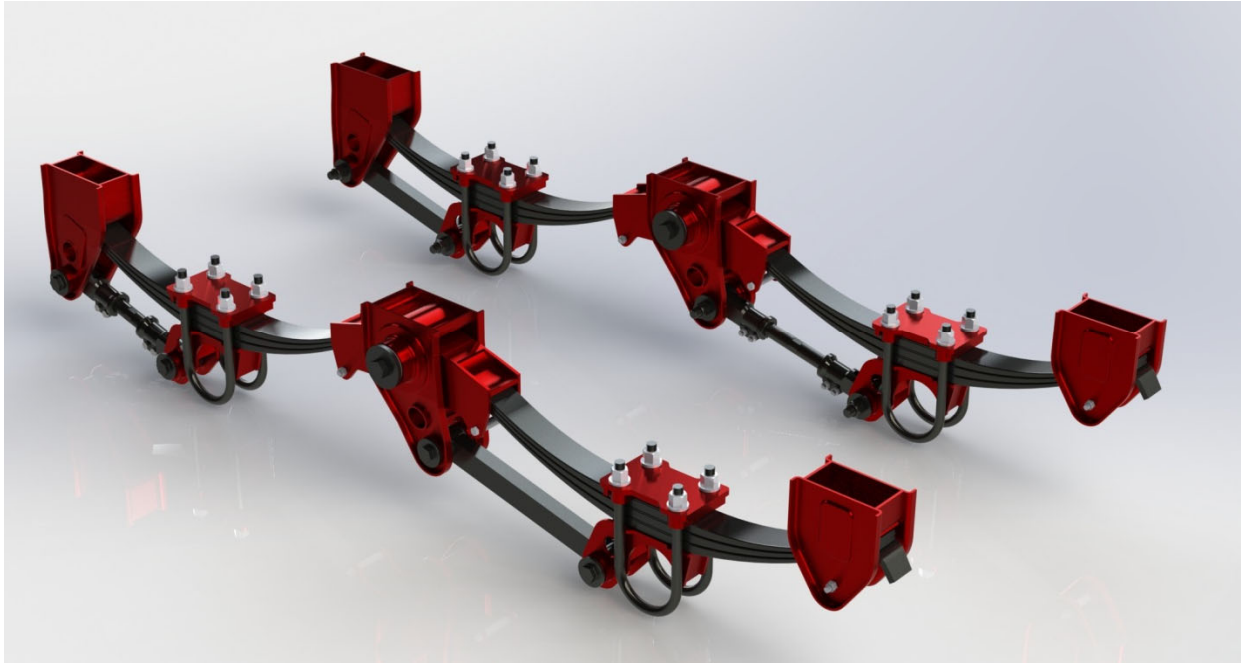
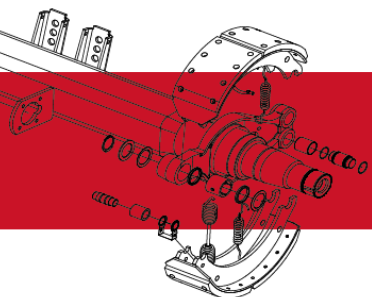


Mechanical Suspension Parts

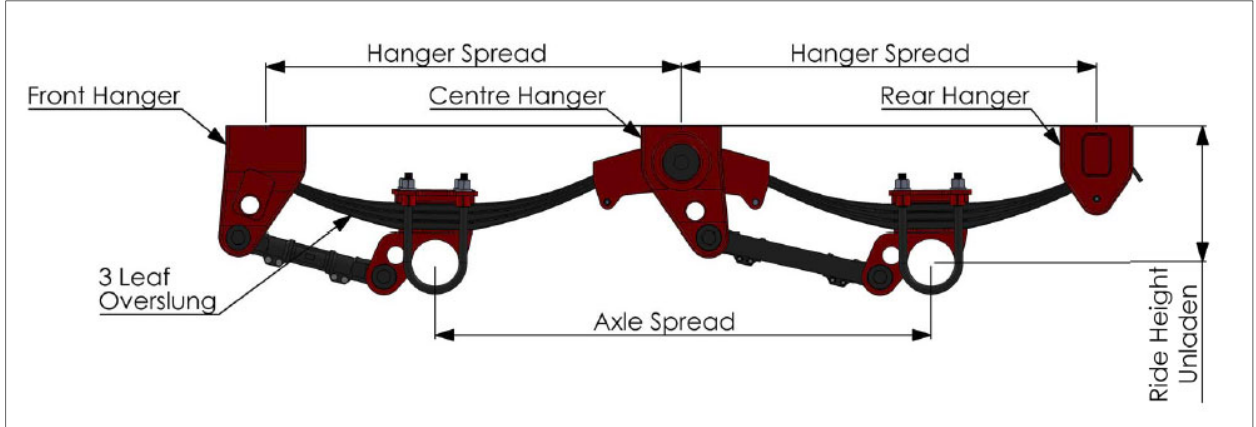


Granning Mechanical Suspension sets can be assembled to suit single, tandem, tri-axle, and quad-axle arrangements.

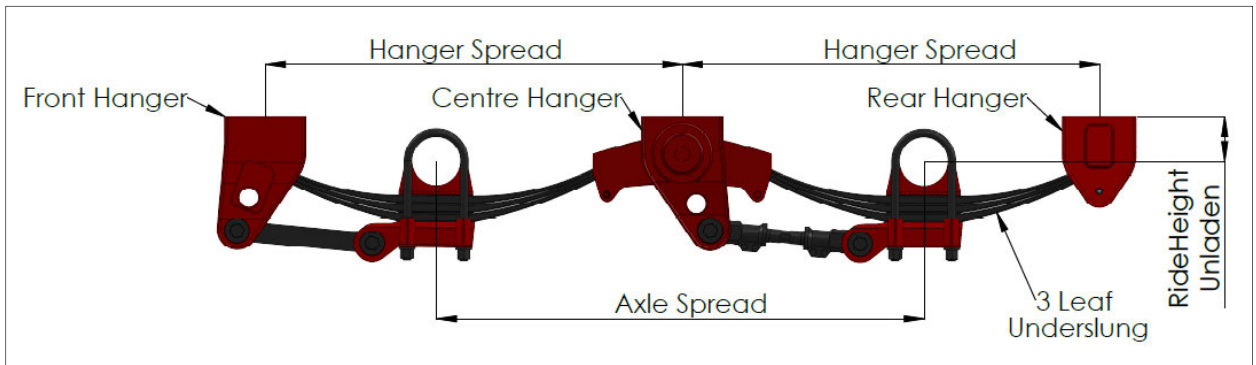
Customers have the option of overslung, underslung, and ultra-underslung arrangements depending primarily on laden vehicle ride height.



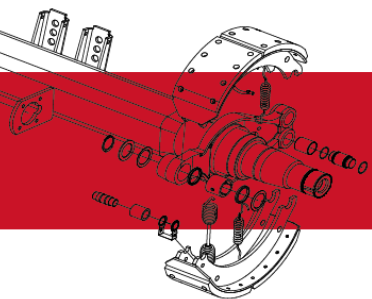
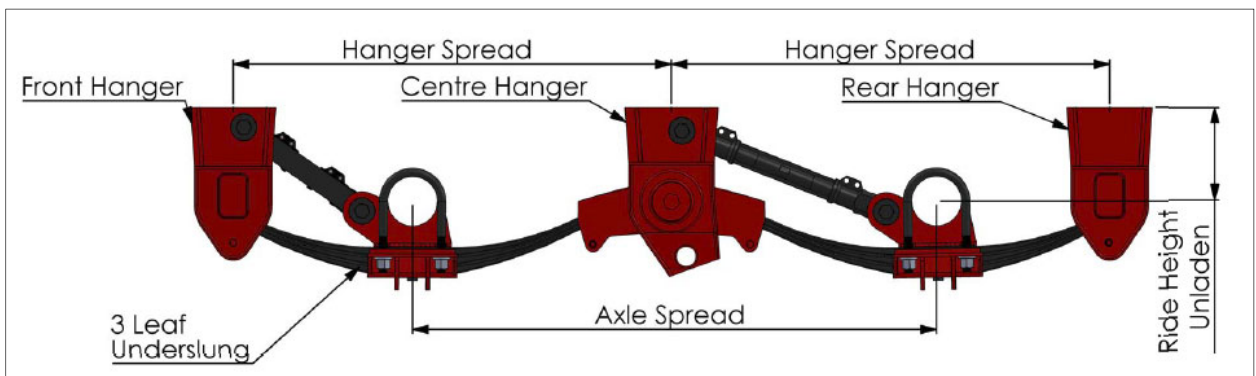
Overslung Mechanical Suspension



Underslung Mechanical Suspension



Ultra-Underslung Mechanical Suspension

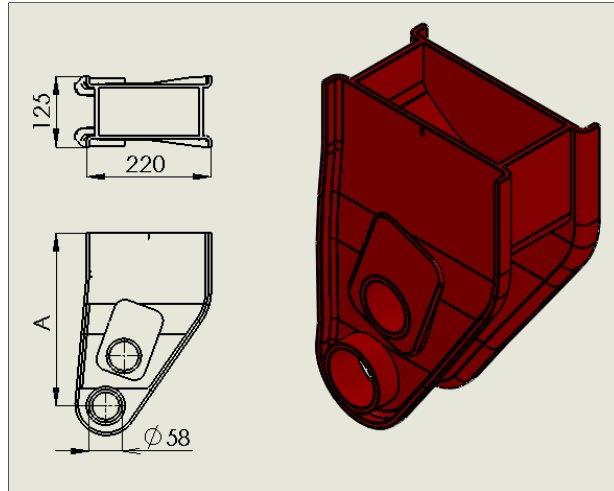




granning
axle and suspension solutions

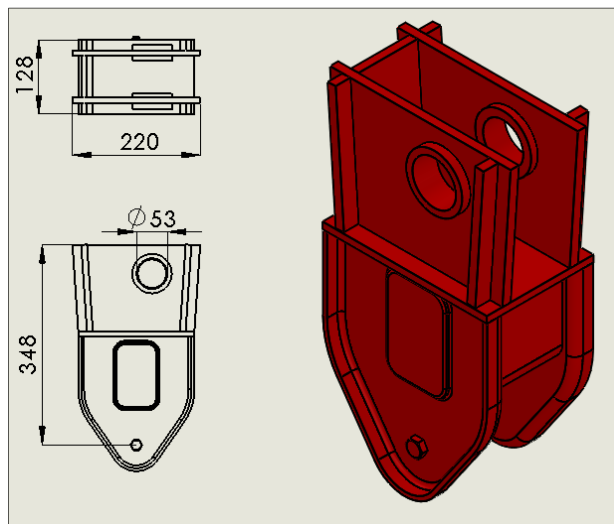
Individual Mechanical Suspension Parts

Front Hanger – Fabricated

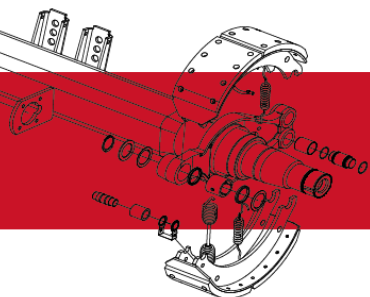


Part No.	Description	Dimension "A"	Application
36026	Front Hanger 305mm	305mm	Overslung/Underslung
36134	Front Hanger 265mm	265mm	Overslung/Underslung

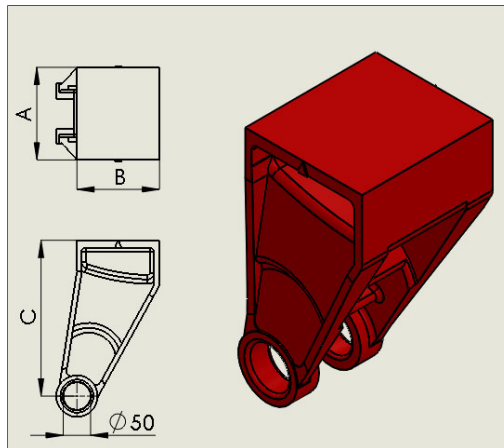
Front Hanger – Fabricated



Part No.	Description	Application
36085	Front Hanger 348mm	Ultra Underslung

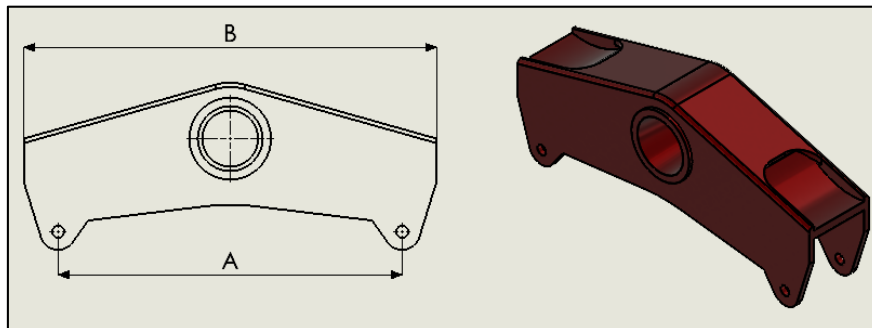


Front Hanger – Cast

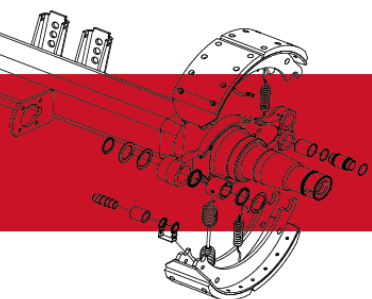


Part No.	Description	Dimension "A"	Dimension "B"	Dimension "C"	Application
12775	Front Hanger Cast	155mm	153mm	290mm	Overslung/Underslung
97700	Front Hanger Cast	170mm	152mm	286mm	Overslung

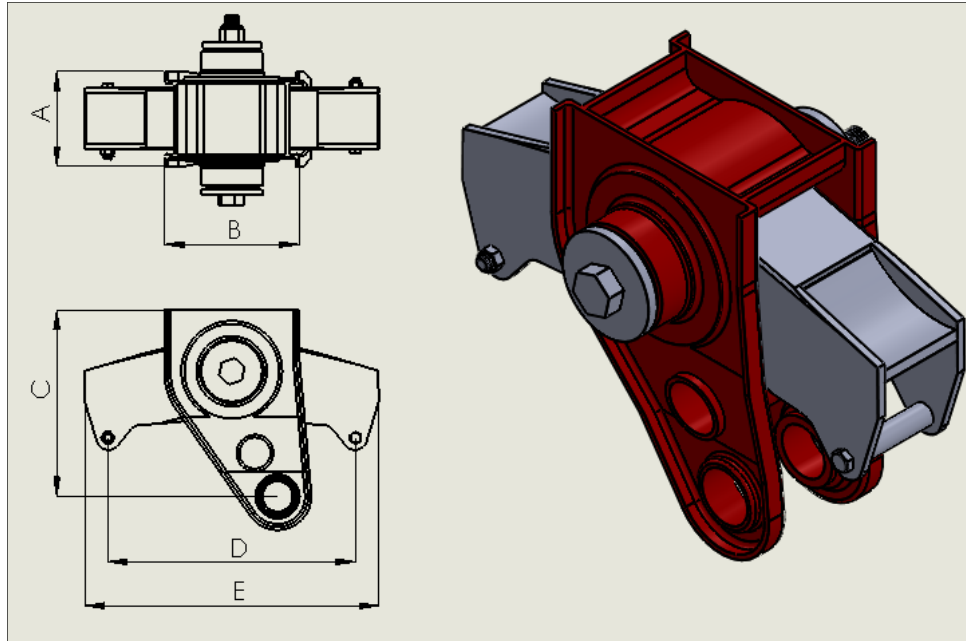
Centre Hanger Balance Beam



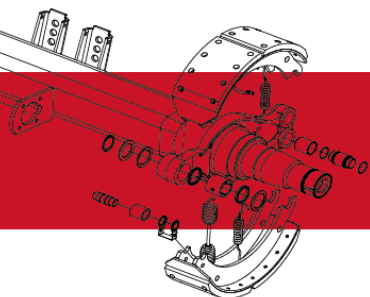
Part No.	Description	Dimension	
		"A"	"B"
36039	Centre Equaliser Balance Beam	400mm	480mm
36006	Centre Equaliser Balance Beam	500mm	580mm
36009	Extended Centre Balance Beam	577mm	720mm



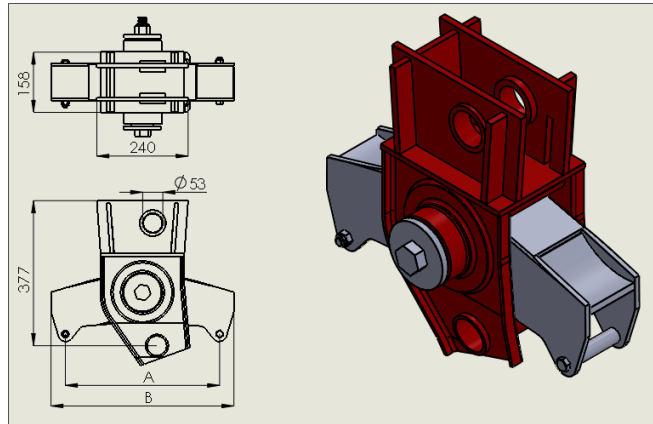
Centre Hanger – Fabricated



Part No.	Description	Dimension					Application
		"A"	"B"	"C"	"D"	"E"	
36038	Centre Equaliser Hanger	152mm	220mm	305mm	400mm	480mm	Overslung/ Underslung
36135	Centre Equaliser Hanger	152mm	220mm	277mm	400mm	480mm	Overslung
36163	Extended Centre Equaliser Hanger	152mm	220mm	277mm	577mm	720mm	Overslung
36169	Extended Centre Equaliser Hanger	152mm	220mm	277mm	500mm	580mm	Overslung
36138	Extended Centre Equaliser Hanger	152mm	220mm	305mm	500mm	580mm	Overslung/ Underslung
36155	Extended Centre Equaliser Hanger	152mm	220mm	305mm	577mm	720mm	Overslung/ Underslung

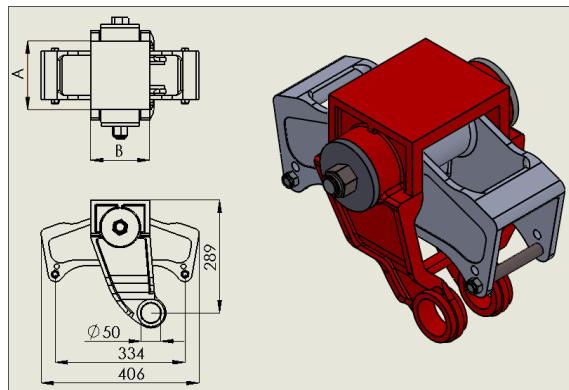


Centre Hanger – Fabricated

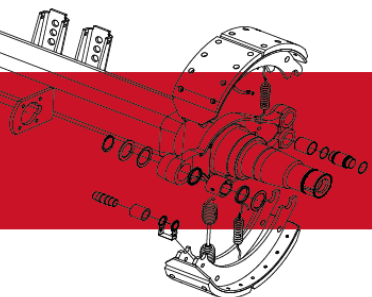


Part No.	Description	Dimension "A"	Dimension "B"	Application
36087	UUS Centre Hanger	400mm	480mm	Ultra Underslung
36145	UUS Extended Centre Hanger	500mm	580mm	Ultra Underslung
36150	UUS Extended Centre Hanger	577mm	720mm	Ultra Underslung

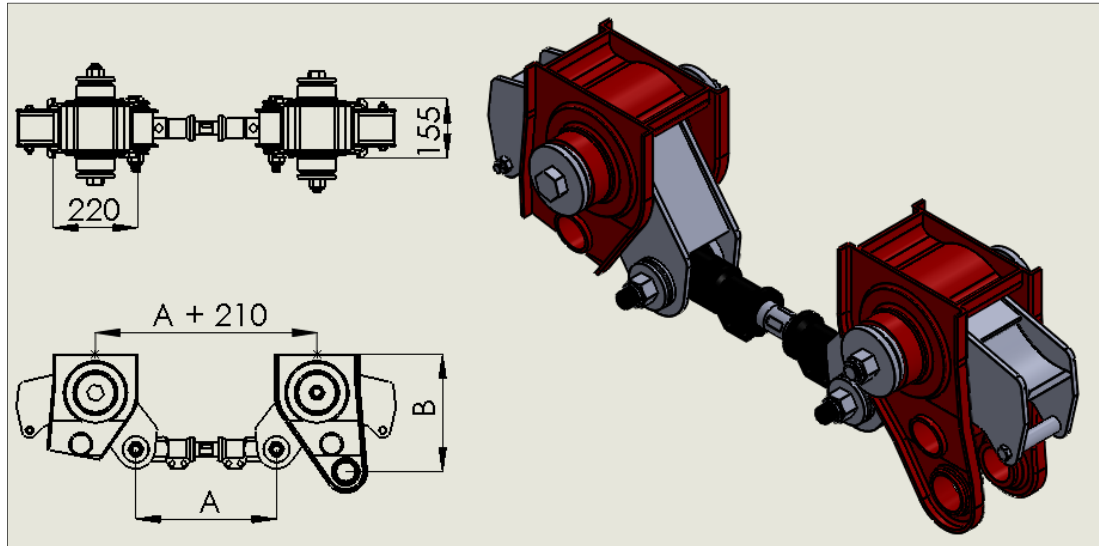
Centre Hanger – Cast



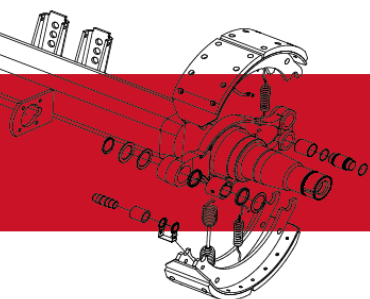
Part No.	Description	Dim. "A"	Dim. "B"	Application	Spring Width
12313	Centre Equaliser Hanger	150mm	150mm	OS/US/UUS	76mm
97701	Centre Equaliser Hanger	176mm	152mm	Overslung	100mm



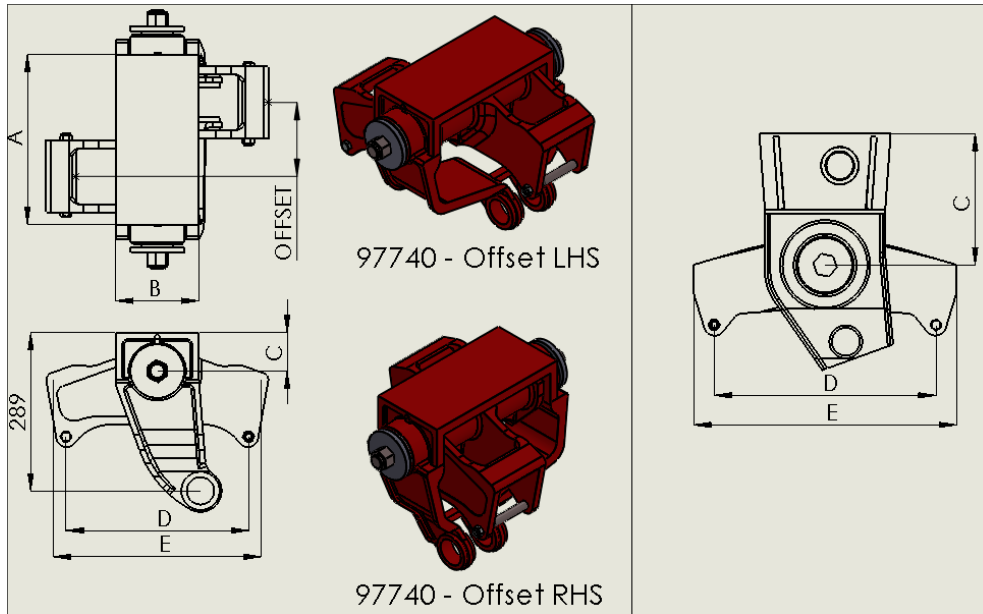
Centre Hanger – used in extended axle spread arrangements



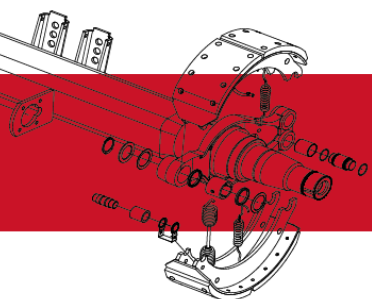
Part No.	Description	Dimension "A"	Dimension "B"	Axle Spread	Application
36141	Wide Spread Centre Hanger Front	-	-	-	Overslung/ Underslung
36142	Wide Spread Centre Hanger Rear	-	305mm	-	Overslung/ Underslung
36165	Wide Spread Centre Hanger	-	375mm	-	Ultra Underslung
96152	Adjustable Torque Arm	335mm – 395mm	-	1800mm – 1850mm	OS/US/UUS



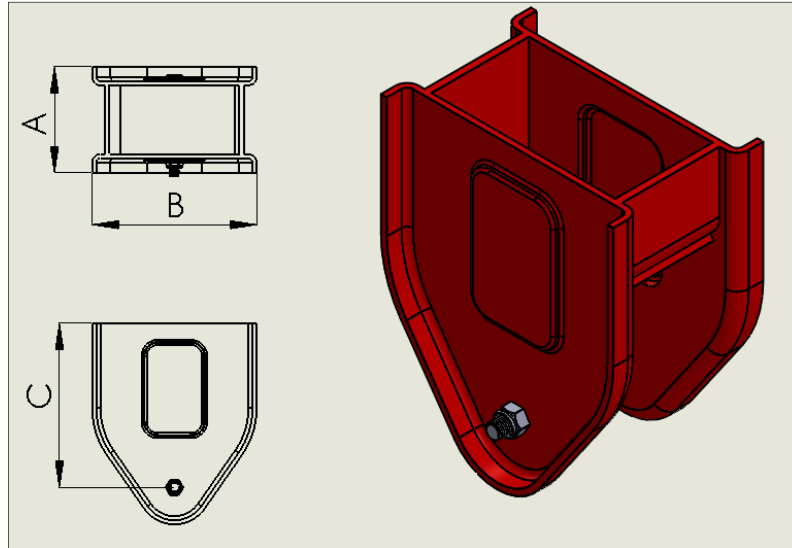
Offset Centre Hanger



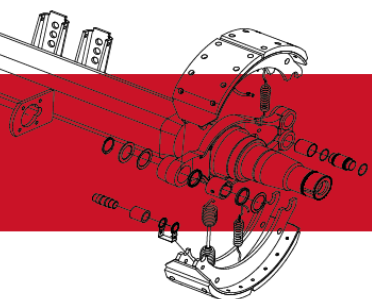
Part No.	Description	Dimension (mm)						Application
		"A"	"B"	"C"	"D"	"E"	"OFFSET"	
36148	UUS Offset Centre Hanger	284	170	241	405	480	140	Ultra Underslung
36154	UUS Offset Centre Hanger	284	170	209	400	480	140	Ultra Underslung
97740	Offset Centre Hanger Left	311	152	70	334	380	135	Overslung
97741	Offset Centre Hanger Right	311	152	70	334	380	135	Overslung
97771	1360 Offset Centre Hanger Left	331	152	70	334	405	135	Overslung
97772	1360 Offset Centre Hanger Right	331	152	70	334	405	135	Overslung
97764	1500 Offset Centre Hanger Left	331	152	70	490	567	135	Overslung
97765	1500 Offset Centre Hanger Right	331	152	70	490	567	135	Overslung



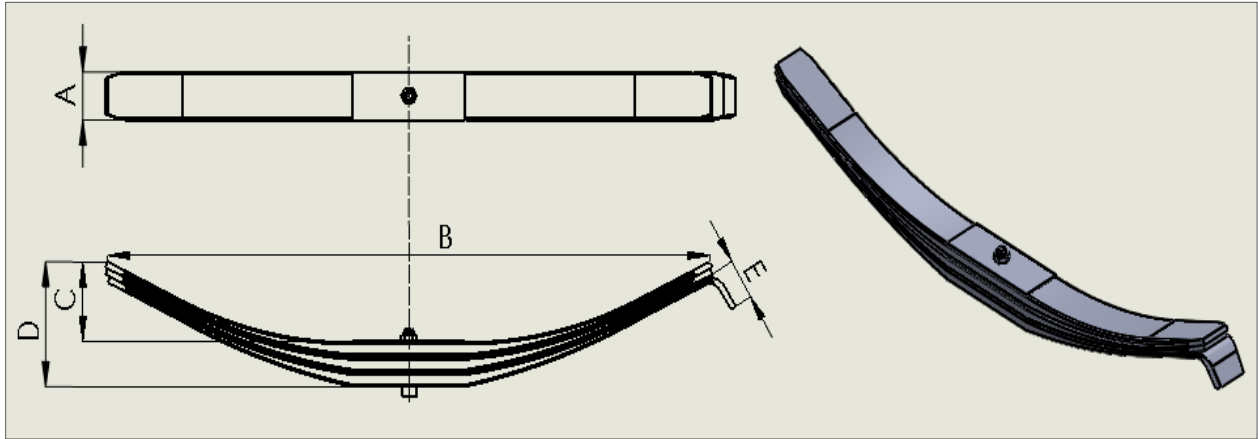
Rear Hanger



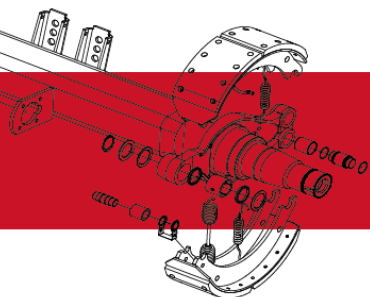
Part No.	Description	Dimension "A"	Dimension "B"	Dimension "C"	Application
12276	Rear Hanger Cast	153mm	150mm	176mm	OS/US/UUS
36033	Rear Hanger	122mm	200mm	200mm	Overslung/ Underslung
36086	UUS Rear Hanger	131mm	220mm	348mm	Ultra Underslung
36136	Rear Hanger	122mm	200mm	160mm	Overslung/ Underslung
97702	Rear Hanger Cast	170mm	152mm	175mm	Overslung
97782F	Rear Hanger Cast Assembly	170mm	152mm	175mm	Overslung



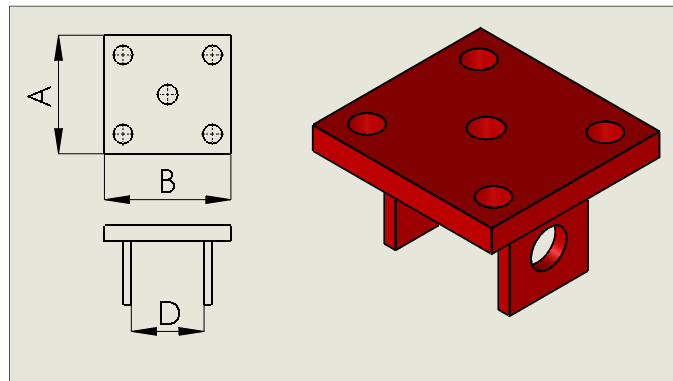
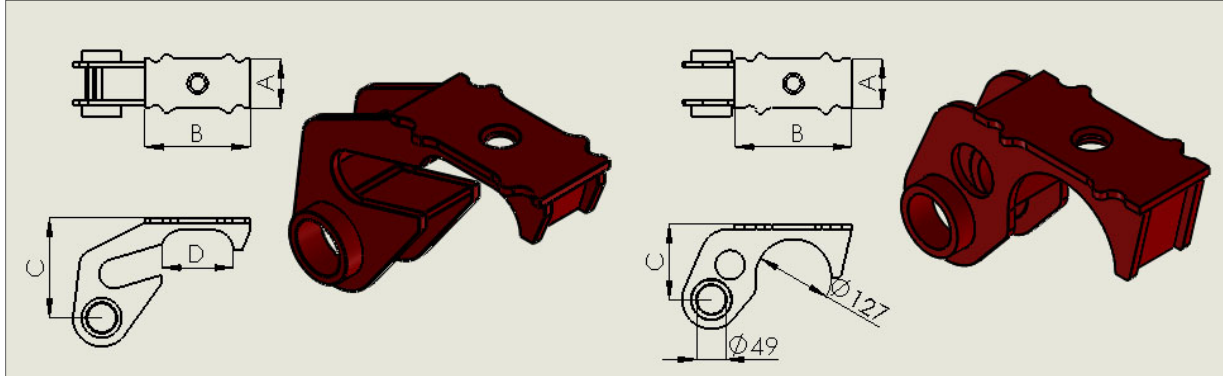
Leaf Springs



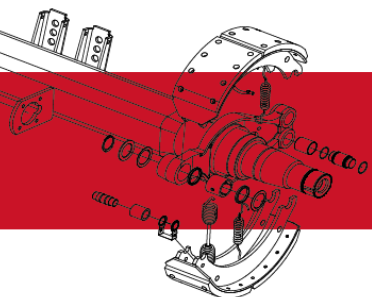
Part No.	Dimension (mm)					No. of Leaves	Application	Comment
	A	B	C	D	E			
11249	76	1174	85	229	45	12	OS/UUS	
12303	76	1115	116	142	45	1	OS	Hooks on both ends
12318	76	1250	107	150	62	1	OS	
12319	100	1500	100	220	-	6	OS Walking Beam	No Hooks
12319G	100	1530	100	240	-	7	OS Walking Beam	No Hooks
12323	100	1790	140	340	-	10	OS Walking Beam	No Hooks
12328	76	1196	142	220	50	3	US	
36032	76	1120	130	200	60	3	OS/US/UUS	
36099	76	1120	130	224	60	4	OS/US/UUS	
36109	76	885	150	220	-	5	OS/US	Pivot Eye
96100	76	914	109	200	-	7	OS/US	Pivot Eye
96300	76	1050	130	227		7	OS/US	Pivot Eye
97703	100	1195	145	240	52	4	OS	
97746	100	1190	67	154	46	3	OS	
97778F	100	1186	120	200	52	3	OS	



Spring Seats/Saddles/Chairs

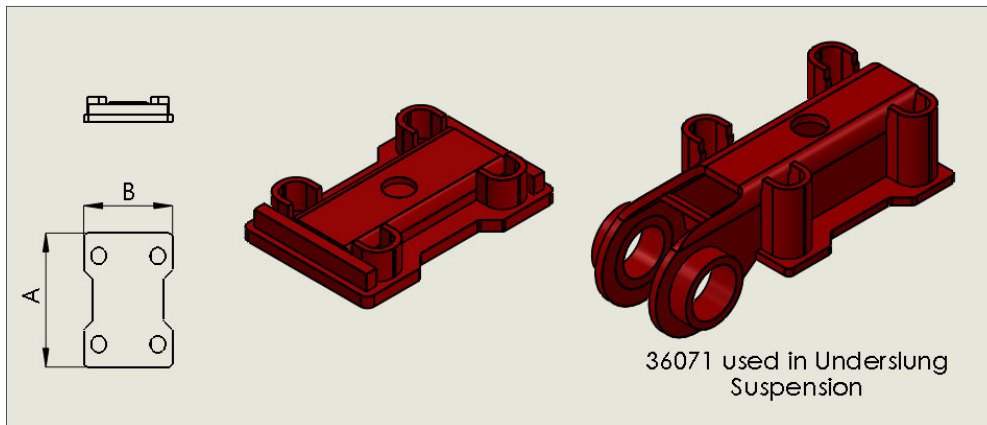


Part No.	Description	Dimension (mm)				Application	Comment
		A	B	C	D		
36070	Spring Seat 25mm	84	200	128	-	OS	Round Beam
36078	Spring Seat 25mm	84	200	-	-	US	Round Beam
36096	Spring Seat UUS	84	200	90	-	UUS	Round Beam
36146	Spring Seat 25mm	82	175	126	-	OS	Round Beam
36158	Spring Seat 50mm	94	200	90	-	OS	Round Beam
36187	150SQ Axle saddle	126	180	172	152	OS	Square Beam
61121	Spring Seat 93mm	76	170	192	-	OS	Round Beam
61144	Spring Seat 68mm	76	170	163	-	OS	Round Beam
61174	Spring Seat 120SQ	98	180	170	121	OS	Square Beam

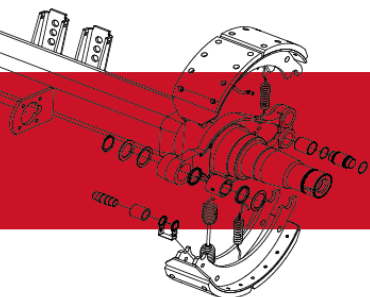


36082	Axle Saddle 120SQ	84	200	59	122	OS/UUS	Square Beam
96514	100SQ Spring Chair	150	170	-	102	OS	Square Beam
96518	90SQ Spring Chair	150	160	-	92	OS 90SQ	Square Beam
96522	70SQ Spring Chair	150	140	-	72	OS 70SQ	Square Beam
97704	Spring Saddle	125	150	172	-	OS	Round Beam

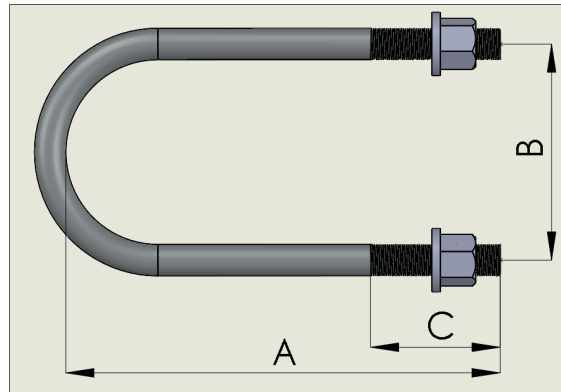
Clamp/Clip Plate



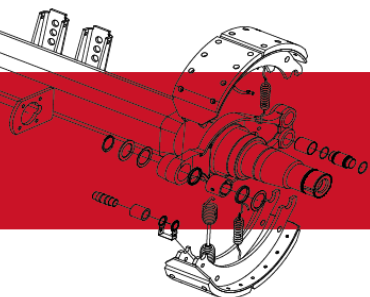
Part No.	Description	Dimension (mm)		Application
		A	B	
36031	Overslung Clip Plate	226	150	OS
36071	Underslung Clip Plate	200	150	US
36088	Ultra Underslung Clip Plate	230	194	UUS
36186	Clip plate 100mm (150SQ)	232	177	OS
96513	100mm Clamp Plate	170	150	OS – SQ Beam
96517	90mm Clamp Plate	160	150	OS – SQ Beam
96521	70mm Clamp Plate	150	140	OS – SQ Beam
97705	Clip plate 100mm	205	180	OS



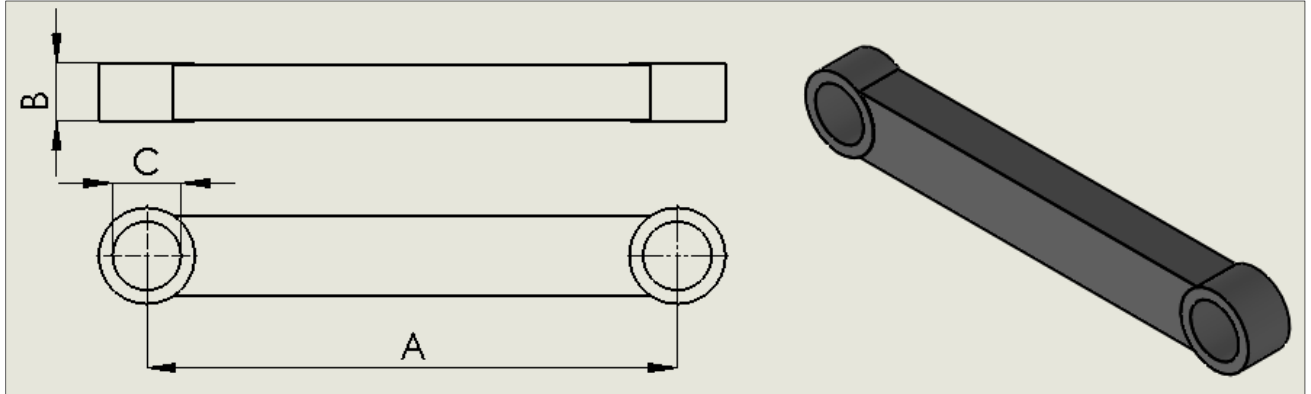
U-Bolt Assembly



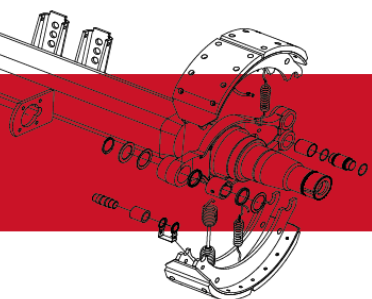
Part No.	Description	Dimension (mm)			Application	Comment
		"A"	"B"	"C"		
13032	U-Bolt 330mm	335	153	90	OS/US/UUS	M24 x 2.0
13033	U-Bolt 305mm	305	153	180	OS/US/UUS	M24 x 2.0
15127	U-Bolt 264mm	264	115	75	OS/US/UUS - SQ	M27 x 2.0
15397	U-Bolt 204mm	204	115	75	OS/US/UUS - SQ	M27 x 2.0
31605	U-Bolt Mid Lift	270	152	90	Mid-Lift Axle	M24 x 2.0
36025	U-Bolt 377mm	377	152	90	OS/US/UUS	M22 x 2.0
36066	U-Bolt 300mm	300	152	90	OS/US/UUS	M22 x 2.0
36072	U-Bolt 330mm	330	152	90	OS/US/UUS	M22 x 2.0
36081	U-Bolt 357mm	357	152	90	OS/US/UUS	M22 x 2.0
36095	U-Bolt 245mm	245	152	90	UUS	M22 x 2.0
36097	U-Bolt 120SQ	460	143	291	OS/US/UUS - SQ	M22 x 2.0
36188	U-Bolt 150SQ	375	180	90	OS -100mm spring	M24x2.0
51108A	U-Bolt 120SQ	290	137	90	OS/US/UUS - SQ	M30 x 2.0
51109A	U-Bolt 120SQ	310	137	90	OS/US/UUS - SQ	M30 x 2.0
61099	U-Bolt 280mm	280	152	145	OS/US/UUS	M22 x 2.0
61123	U-Bolt 457mm	457	152	325	OS/US - 12 Leaf	M22 x 2.0
96512	U-Bolt 100SQ	280	112	90	OS/US/UUS - SQ	M22 x 1.5
96516	U-Bolt 90SQ	275	102	90	OS/US/UUS - SQ	M22 x 1.5
97706	U-Bolt 318mm	318	140	105	OS -100mm spring	M22 x 2.0



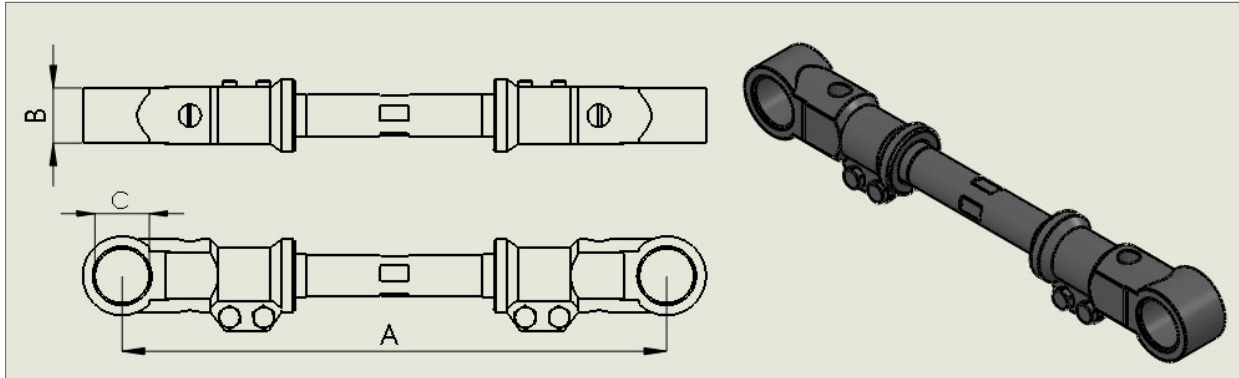
Rigid Torque Arms



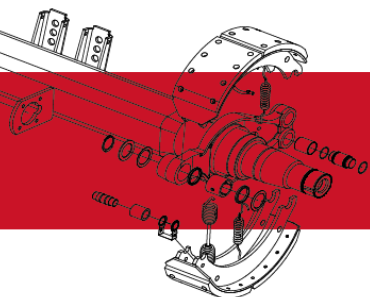
Part No.	Description	Dimension (mm)			Application
		"A"	"B"	"C"	
36047	Rigid Torque Arm 405mm	405	48	Ø47	OS/US/UUS
36054	Rigid Torque Arm 445mm	445	48	Ø47	OS/US
36073	Rigid Torque Arm 365mm	365	48	Ø47	OS/US/UUS
36076	Rigid Torque Arm 480mm	480	48	Ø47	OS
36089	Rigid Torque Arm 373mm	373	48	Ø47	UUS
36090	Rigid Torque Arm 540mm	540	48	Ø47	OS/US/UUS
36091	Rigid Torque Arm 560mm	540	48	Ø47	UUS
97708	100mm Fixed Torque Arm	490	48	Ø51	OS - CAST
97747	100mm Fixed Torque Arm	424	48	Ø51	OS - CAST
97748	100mm Fixed Torque Arm	445	48	Ø51	OS - CAST
97776F	100mm Fixed Torque Arm	450	48	Ø51	OS - CAST
97780	100mm Fixed Torque Arm	508	48	Ø51	OS - CAST
97790	100mm Fixed Torque Arm	535	48	Ø51	OS - CAST



Adjustable Torque Arms

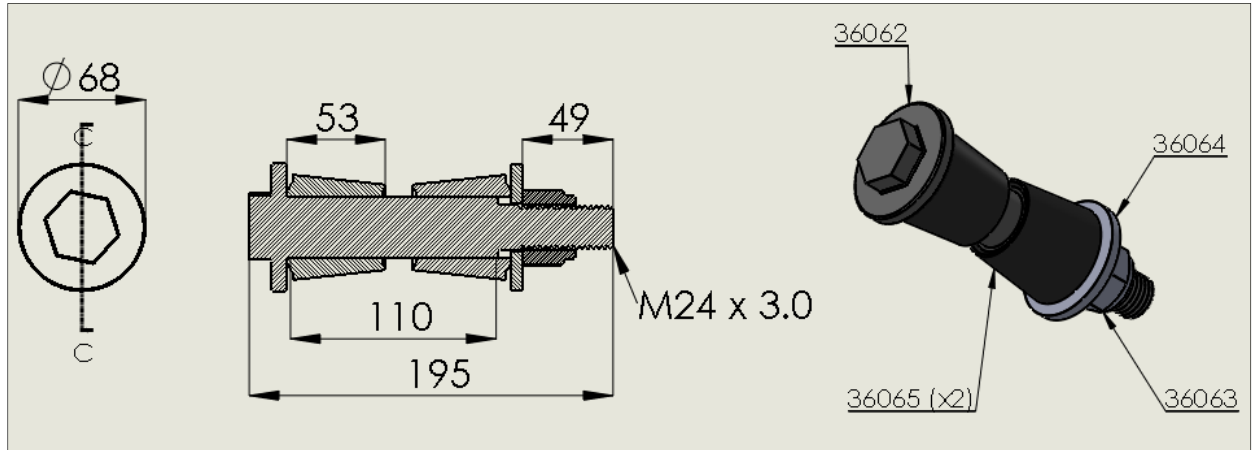


Part No.	Description	Dimensions (mm)					Application
		A – Min.	A – Nom.	A – Max.	B	C	
36048	Adjustable Torque Arm 405mm	375	420	465	48	Ø47	OS/US/UUS
36055	Adjustable Torque Arm 445mm	405	445	485	48	Ø47	OS/US
36074	Adjustable Torque Arm 365mm	340	352.5	365	48	Ø47	OS/US/UUS
36077	Adjustable Torque Arm 480mm	450	492.5	535	48	Ø47	OS
36092	Adjustable Torque Arm 373mm	335	355	375	48	Ø47	UUS
36093	Adjustable Torque Arm 540mm	470	517.5	565	48	Ø47	OS/US/UUS
36094	Adjustable Torque Arm 560mm	525	572.5	620	48	Ø47	OS/UUS
97709	Adjustable Torque Arm 490mm	441	470	498	48	Ø51	OS - CAST



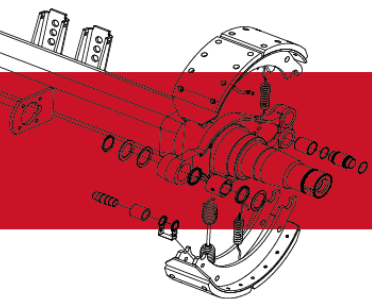
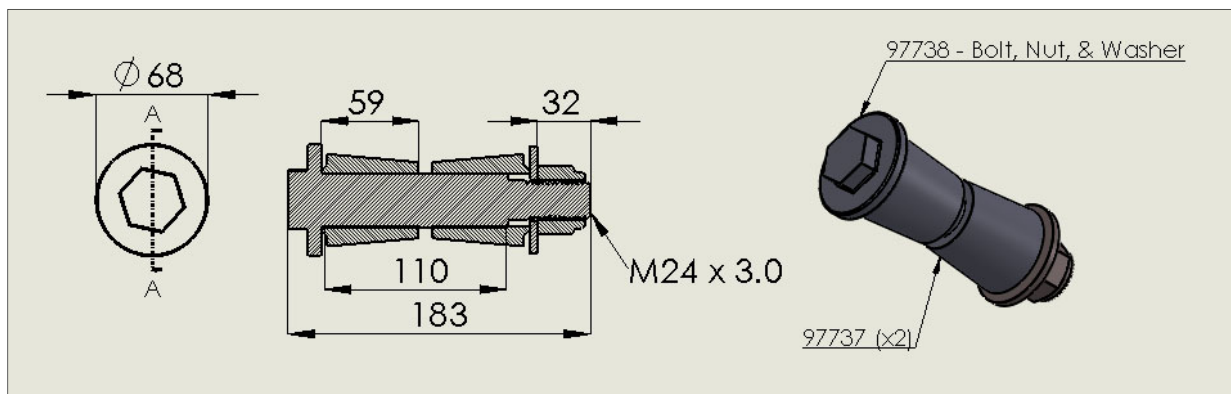
Torque Arm Bush Bolt Assembly for 76mm wide spring –

36061



Torque Arm Bush Bolt Assembly for 100mm wide spring –

97710F



96121 – Torque Arm Bush -Poly bush (1pcs only)



Centre Bolt 100mm Wide Suspension

- 97736 – Centre Equaliser/Washer/Nut**
- 97735 – Centre Equaliser Bush**
- 97777F – Centre Equaliser/Washer/Nut/2xPoly bushes**
- 96120 – Centre Equaliser Bush Poly bush (1pcs only)**

Centre Bolt 100mm Wide Offset Suspension

- 97745 – Centre Equaliser/Washer/Nut/**
- 96120 – Centre Equaliser Bush Poly bush (1pcs only)**

Centre Bolt 76mm Wide Suspension

- 36040 – Centre Equaliser Bolt**
- 36041 – Centre Equaliser Nut**
- 36042 – Centre Equaliser Washer**
- 36043 – Centre Equaliser Bush**

We reserve the right to make changes to specifications or to make improvements to the products in this catalogue without prior notice. We are not responsible for inaccuracies or omissions.

