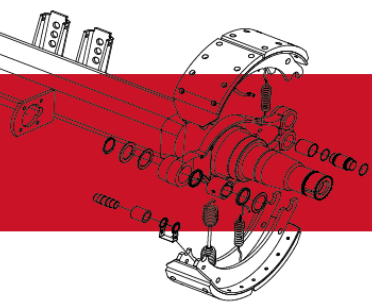
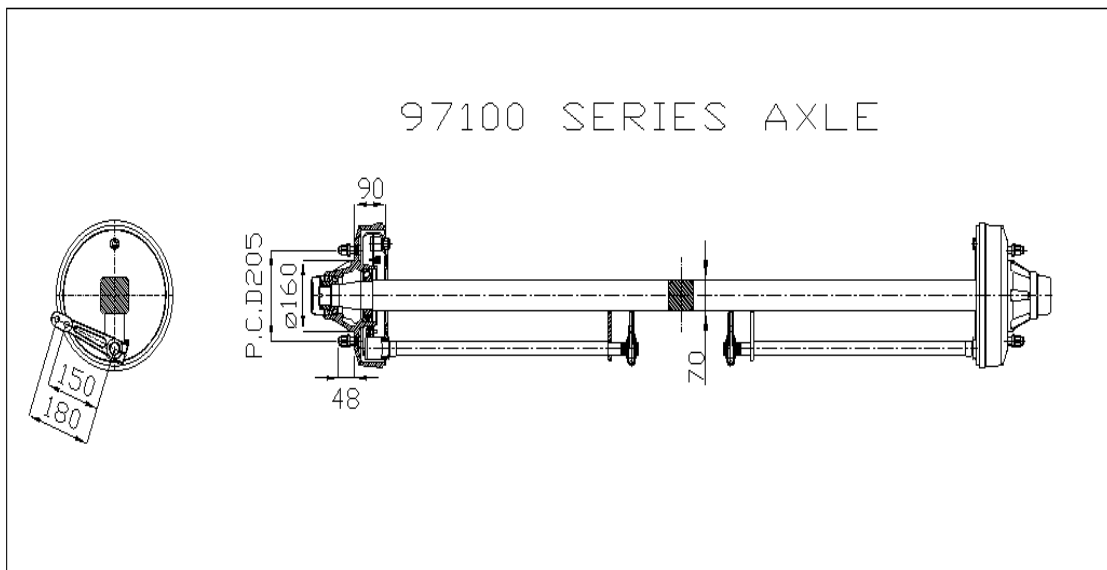


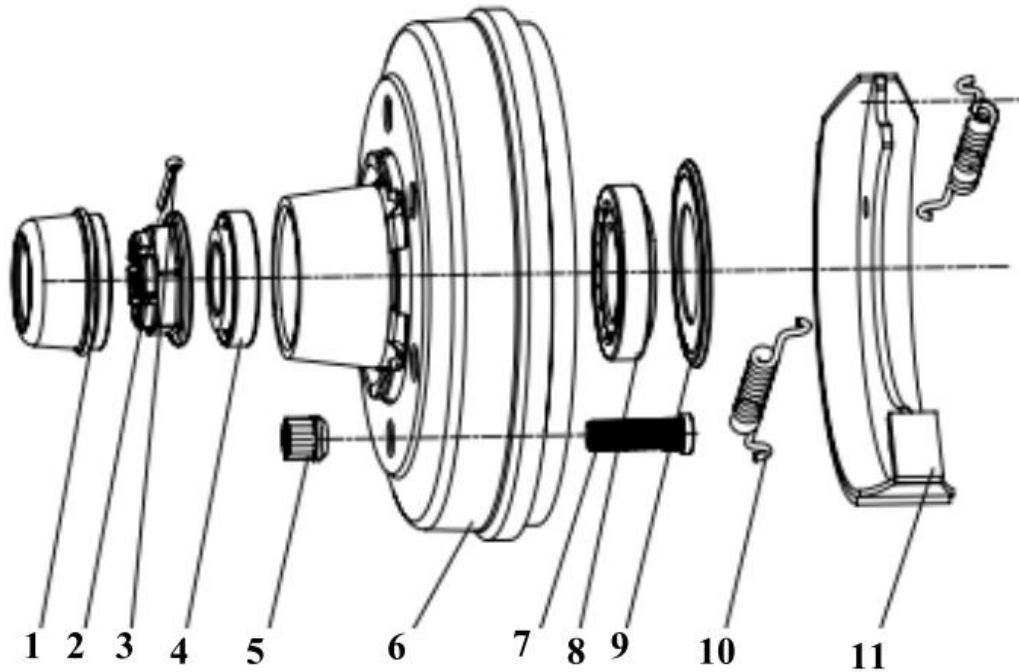
Axle Bill Of Materials

97100 Series 300x60

80202 Rev A October 2012

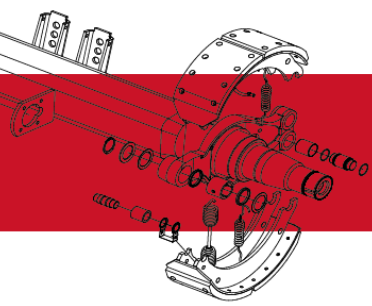
300 x 60 - 97100 SERIES AXLE

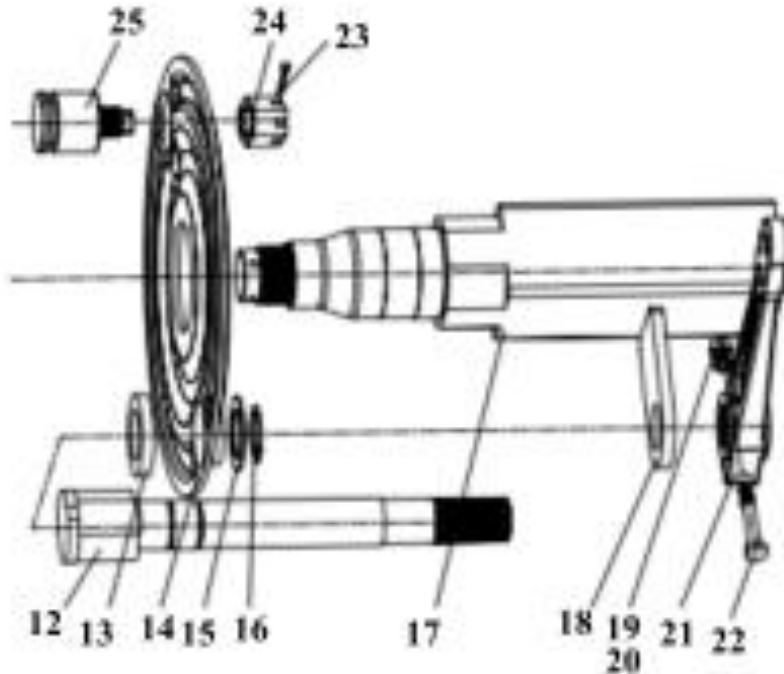




300 x 60 - 97100 Series Axle Brake Assembly

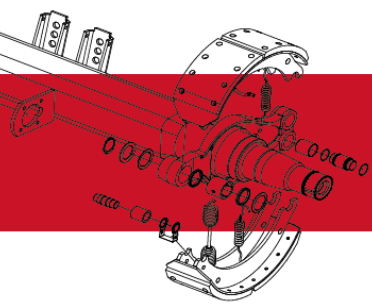
Item	Description	Part No.	Quantity
1	Hub Cap	97511	2
2	Spindle Nut	97506	2
3	Spindle Nut Cotter Pin	97505	2
4	Outer Bearing	97509	2
5	Wheel Nut	97504	12
6	Hub	97518	2
7	Wheel Bolt	97517	12
8	Inner Bearing	97521	2
9	Hub Seal	97512	2
10	Brake Shoe Retaining Spring	97507	4
11	Brake Shoe and Lining Assembly	97510	4





300 x 60 - 97100 Series Axle Brake Assembly

Item	Description	Part No.	Quantity
12	Camshaft	97522	2
13	Flat Washer	97516	2
14	Dust Cover	97513	2
15	Flat Washer	97502	2
16	Circlip	97503	2
17	-	-	-
18	Support of Camshaft	97514	2
19	Nut	97501	2
20	Spring Washer	97500	2
21			
22			
23	Anchor Pin Cottor Pin	97515	2
24	Hexagonal Slotted Nut of Anchor Pin	97520	2
25	Anchor Pin	97519	2

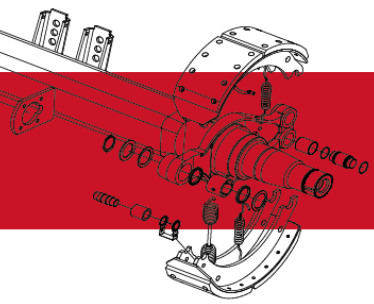




20095 Automatic Slack Adjuster



20094 Manual Slack Adjuster





Our Offices

Ireland

Tel +353 (0) 45 897 553

Fax +353 (0) 45 848 638

UK

Tel +44 (0) 1925 817 689

Fax +44 (0) 1925 817 153

NI

Tel +44 (0) 2890 740 055

Fax +44 (0) 2890 752 718

Poland

Tel +48 (0) 29 753 1616

Fax +48 (0) 29 753 1604

sales@granningaxles.ie