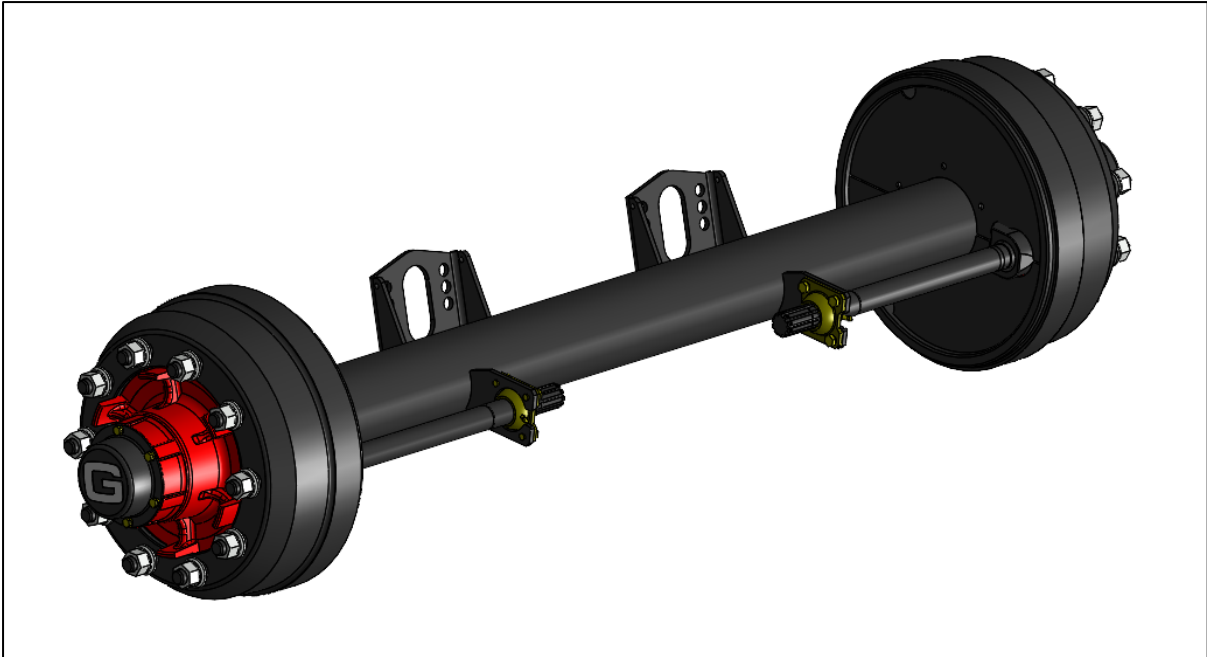


406 X 120 – 860 A SERIES AXLE



860 series axle is TUV tested to 10,000Kg, please see website for test report.

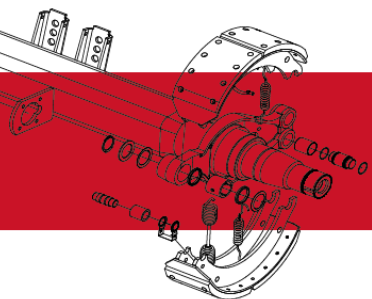
335mm PCD 10 stud M22 hub and drum. 281mm hub pilot.

Available in single and twin wheel stud.

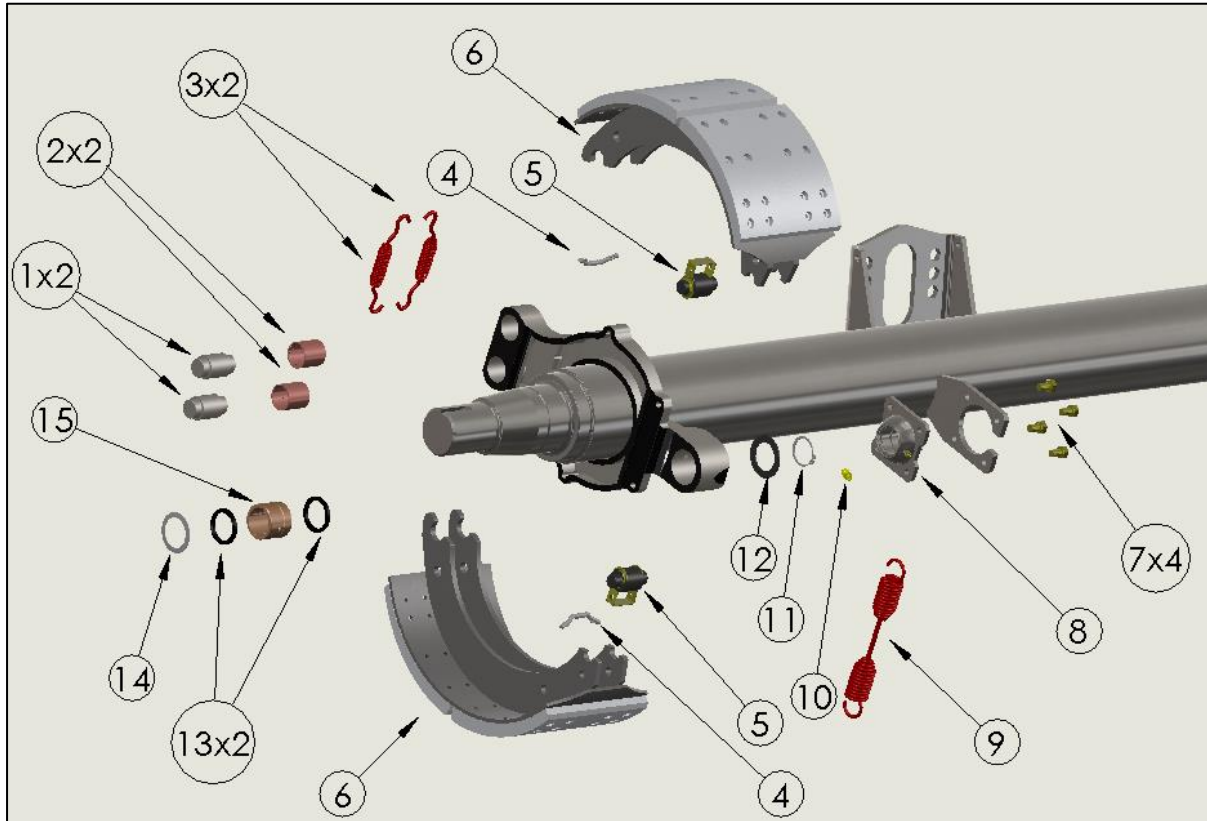
10 spline camshaft

Service manual available on website

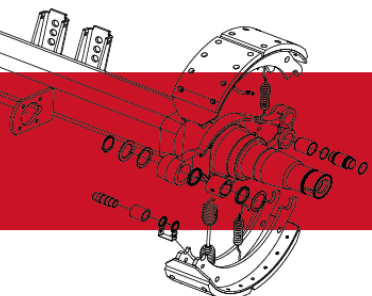
Please see following pages for part identification



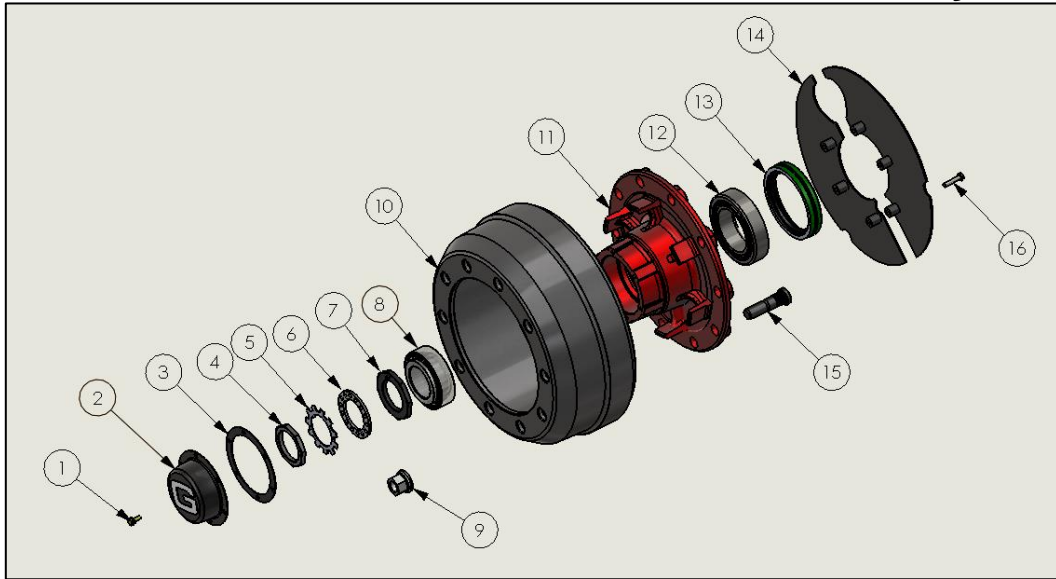
406 x 120 – 860 Series Quick Fit Brake Assembly



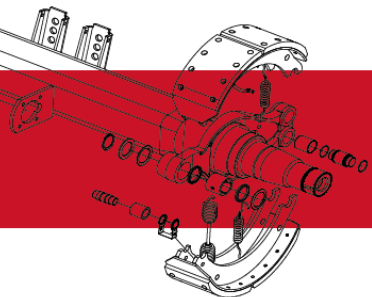
Item	Description	Part No.	QTY per Axle
1	Anchor Pin	61171	4
2	Bush Anchor Pin	61200B	4
3	Brake Shoe Retaining Spring	61141A	4
4	Spring Anchor Bar	61150	4
5	Retainer Cam Roller	61220	4
	One Piece Cam Roller	61235	4
6	Brake Shoe (AS120)	61159A	4
7	M10x 20 Screw	61359	8
	M10 spring washer	96363F	8
8	Camshaft Spherical Bearing	61080	2
9	Spring Return	61143	2
10	Greaser 1/8 NPT 45°	61110	2
11	Circlip	61120	2
12	Support Washer Camshaft	68159	2
13	Camshaft Grease Seal	61056	4
14	Washer Under Camshaft Head	61060	2
15	Camshaft Sintered Bush	61055	2



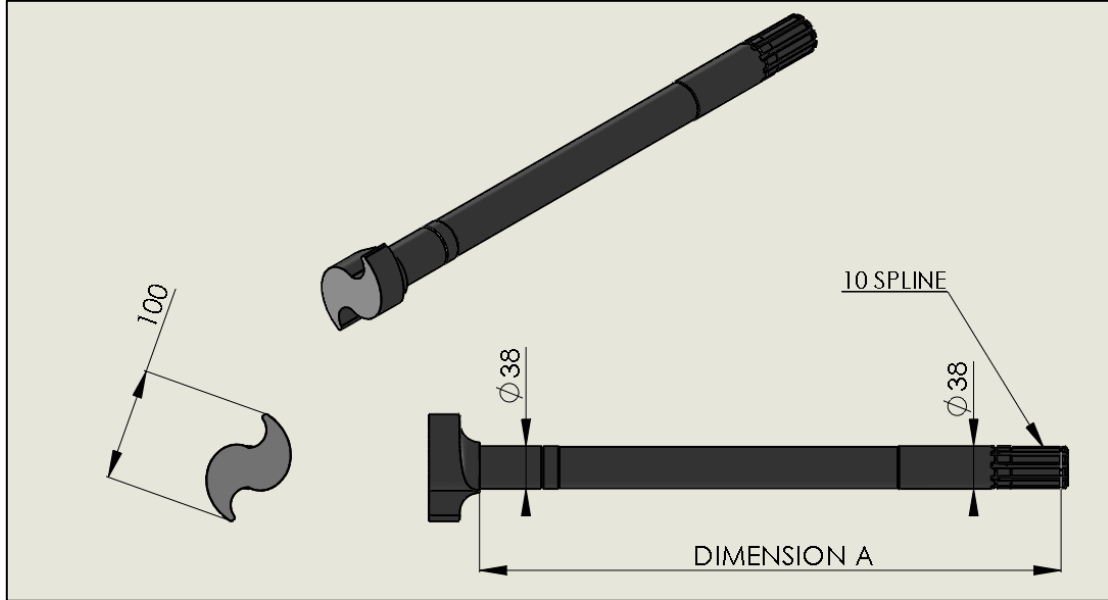
406 X 120 – 860 Series Hub/Drum Assembly



Item	Description	Part No.	QTY per Axle
1	Screw M8 x 16 Fl. Head	61358F	12
		61352	12
2	Hub Cap Pressing "G"	61322A	2
3	Gasket	61330A	2
4	Locknut	61310	2
5	Tab Washer	61311	2
6	Lock Washer	61300	2
7	Adjusting Nut	61290	2
8	Outer Bearing	61270F	2
9	ISO Wheel Nut M22	61381Z	20
		61383	(20)
		61411	(20)
		61372	(20)
		61371	(20)
10	Brake Drum 10 Stud	61550	2
11	Hub Spigot 10 Stud	61253	2
12	Inner Bearing	61260F	2
13	Unitised Grease Seal	61282	2
14	Dust Cover Round & Square Beam (2 piece)	61404A	12
		61396A	2
15	Wheel Bolt M22 ISO (Twin)	61386F	20
		61375	20
16	Screw M8 x 40	70914	12
		M8 washer	61352



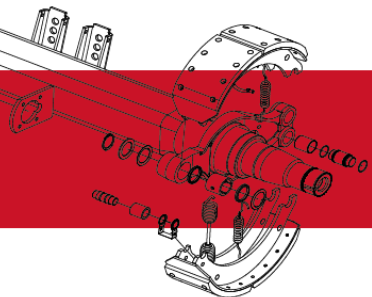
406 x 120 – 860 Series Camshaft Parts List



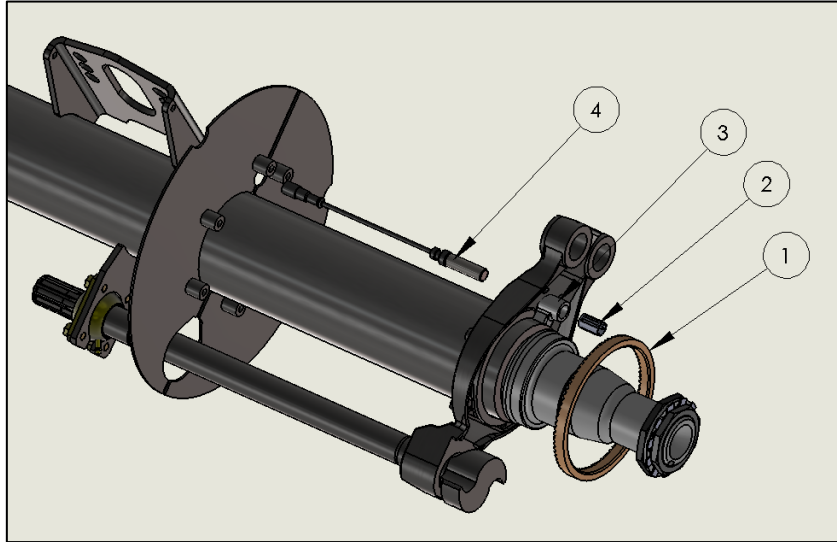
Item	Description (DIM A)	Part No.
1	Left Hand Large Head (519mm)	61065
2	Right Hand Large Head (519mm)	61075
3	Left Hand Large Head (618mm)	61067
4	Right Hand Large Head (618mm)	61077
5	Left Hand Large Head (189mm)	61127
6	Right Hand Large Head (189mm)	61147
7	Left Hand Large Head (212mm)	61061
8	Right Hand Large Head (212mm)	61071
9	Left Hand Large Head (250mm)	61138
10	Right Hand Large Head (250mm)	61148

Camshaft lengths are measured from under head to the centre of last circlip groove.

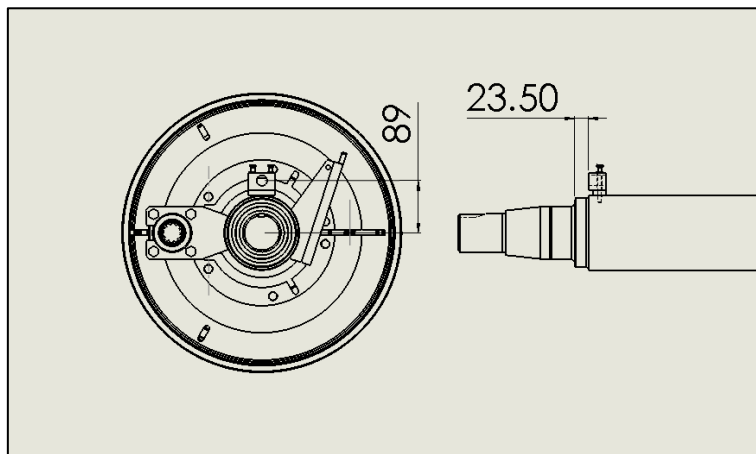
The illustrated camshaft is a right hand camshaft. When looking at the head of the camshaft a right hand cam is Z shaped and a left hand is S shaped



406 x 120 – 860 Series ABS/Anti-Lock Assembly



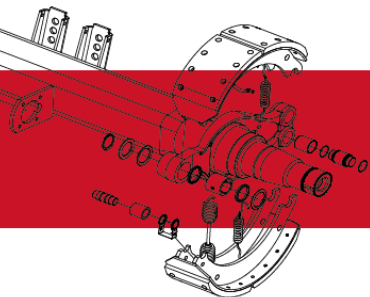
Item	Description	Part No.
1	Pole Wheel	61789
2	ABS Sensor Block	61781
3	ABS Sensor Bush	61792
4	Straight ABS Sensor Lead	61791



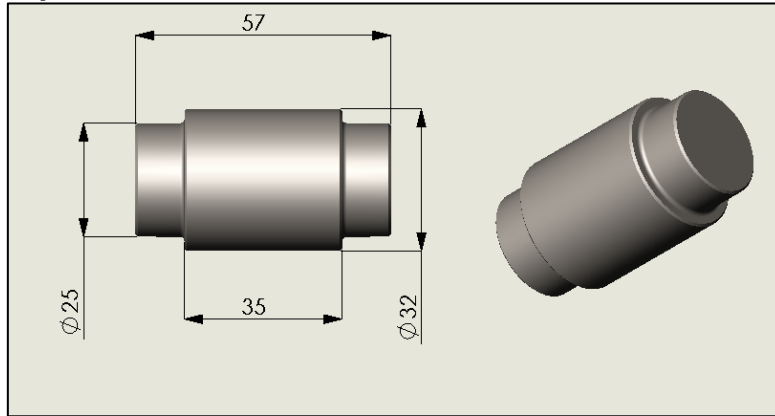
Pole wheel at 178mm PCD

Face of sensor block 23.5mm from large bearing shoulder

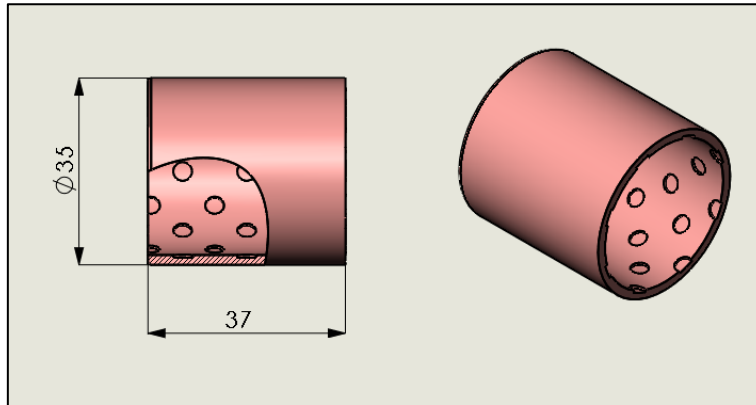
Weld on style is 180 degrees to camshaft and is in line with hole in anchor bracket.



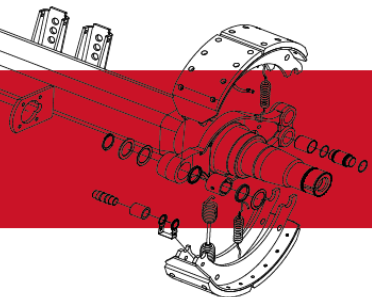
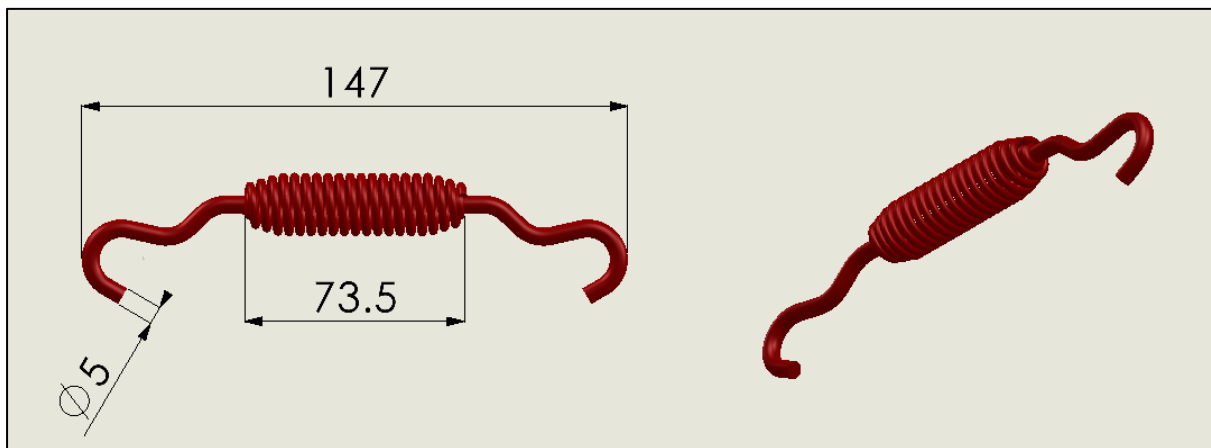
61171 – Anchor pin



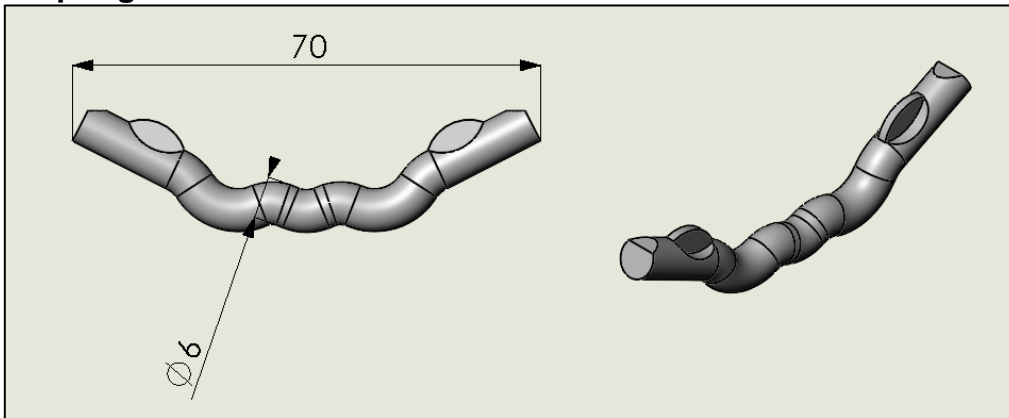
61200B – Bush Anchor Pin



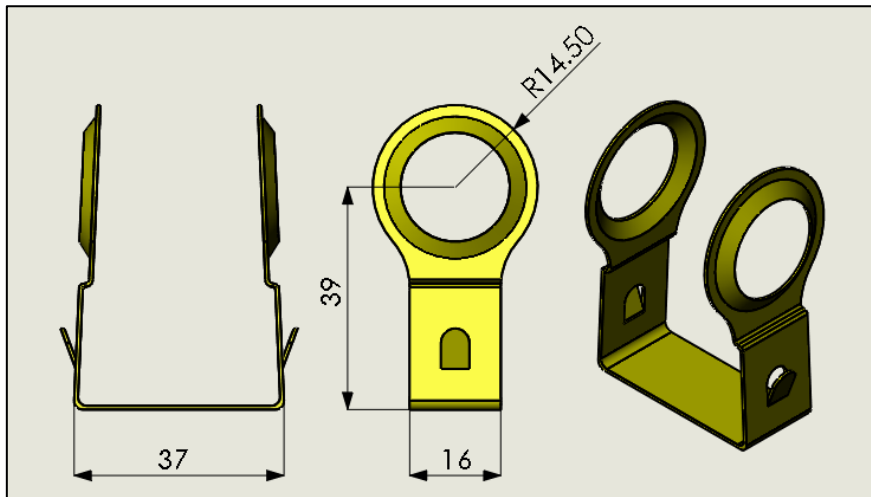
61141A – Brake Shoe Retaining Spring



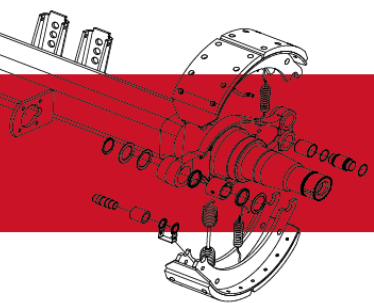
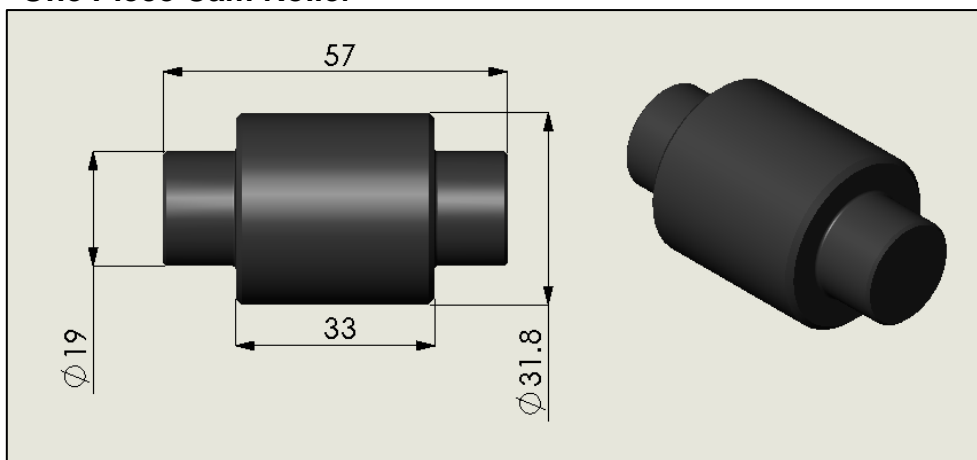
61150 – Spring Anchor Bar



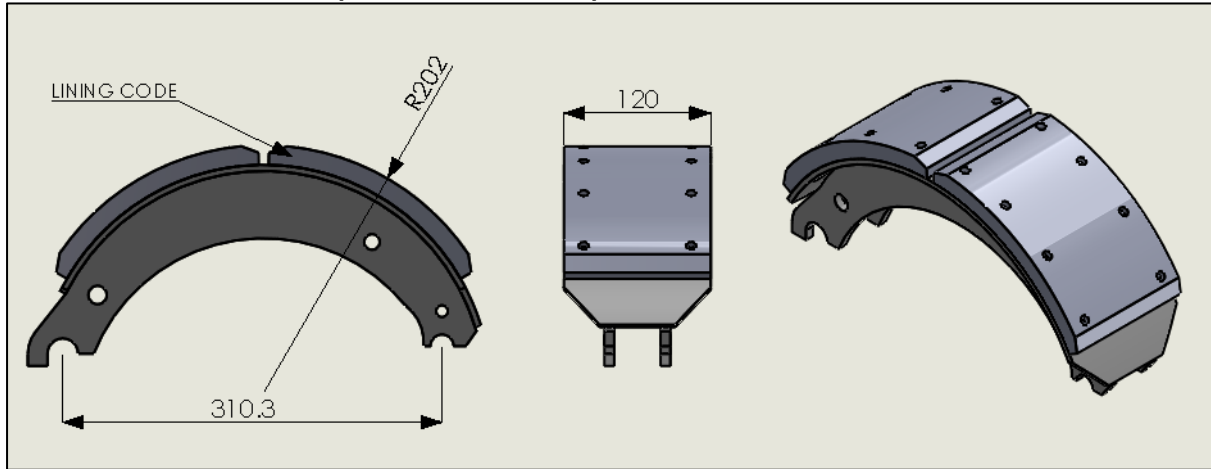
61220 – Retainer Cam Roller



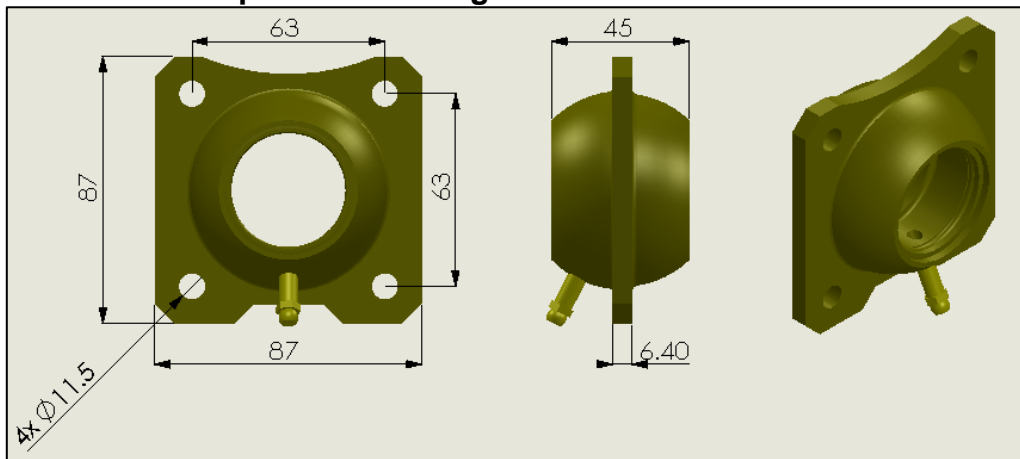
61235 – One Piece Cam Roller



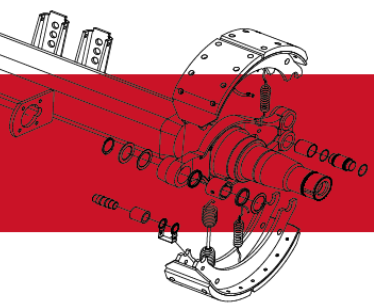
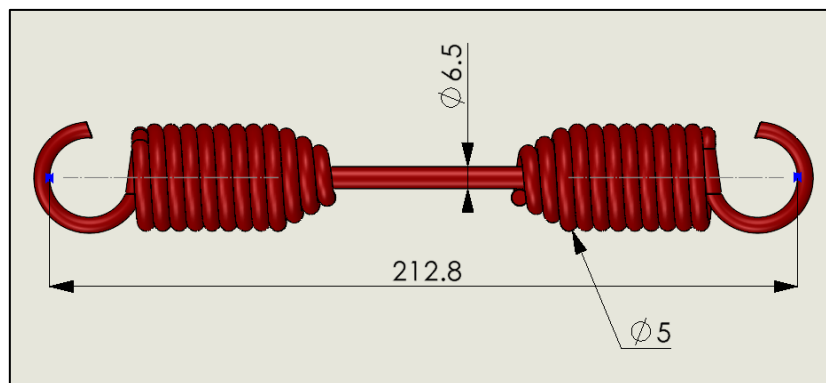
61159A – Brake shoe (AS120 DB4012C)



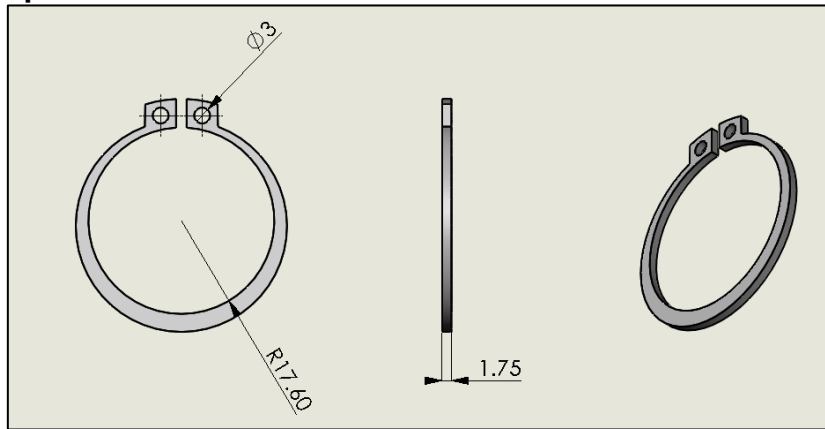
61080F – Camshaft Spherical Bearing



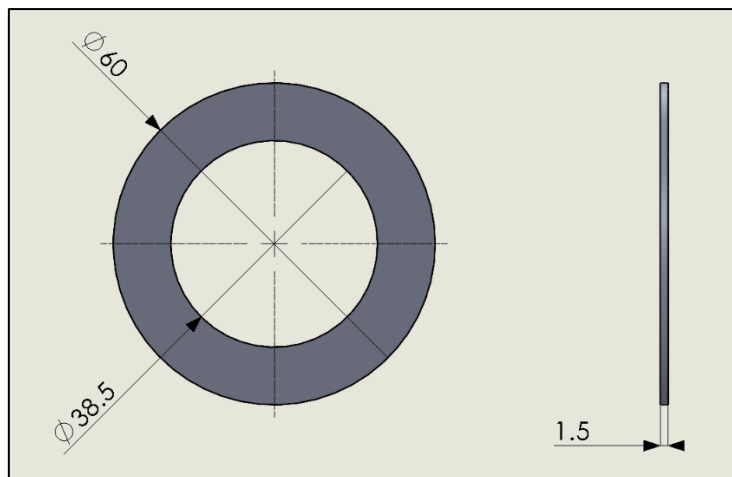
61143 – Spring Return



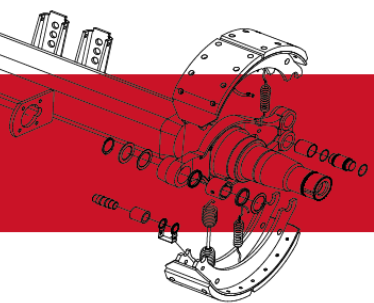
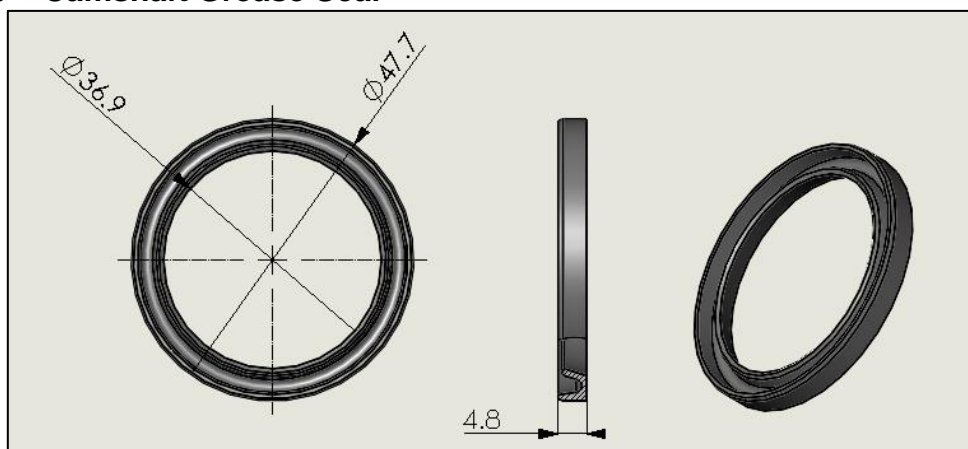
61120 – Circlip



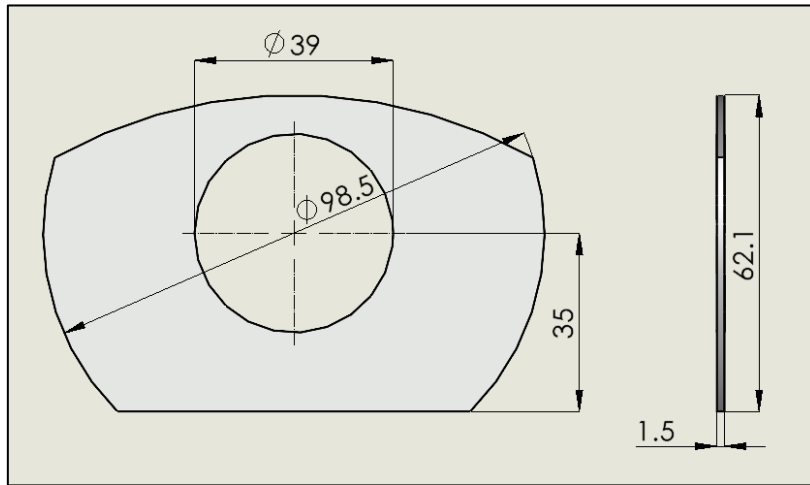
68159 – Camshaft Support Washer



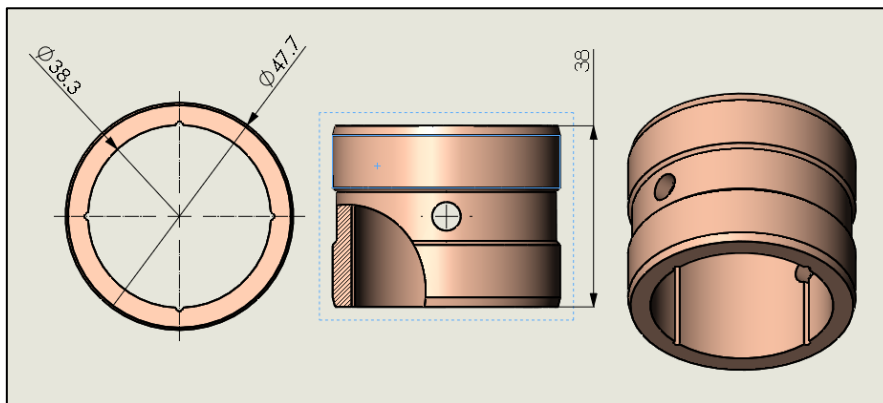
61056 – Camshaft Grease Seal



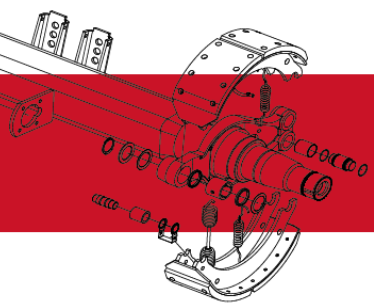
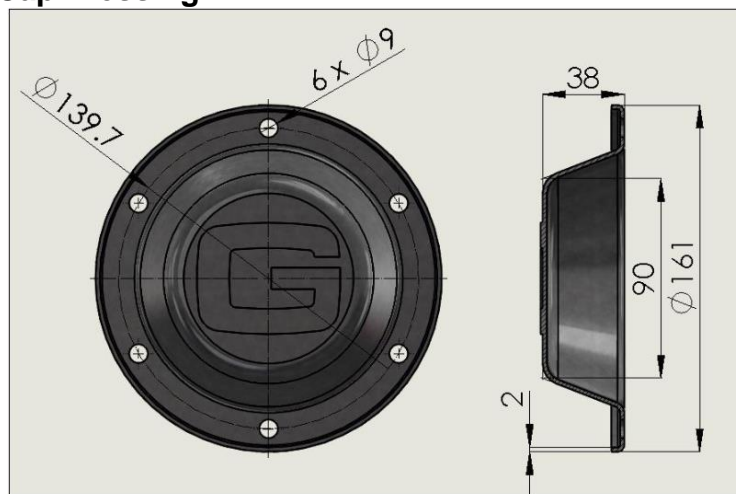
61060 – Washer Under Camshaft Head



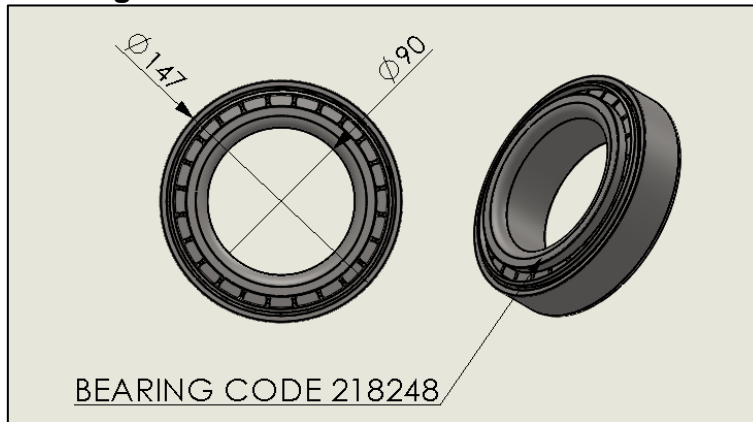
61055 – Camshaft Sintered Bush



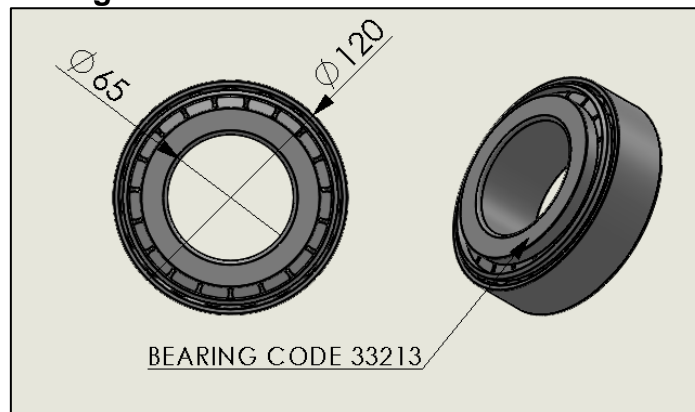
61322A – Hub Cap Pressing



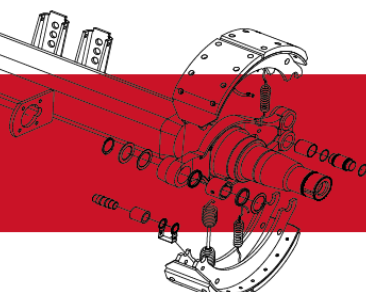
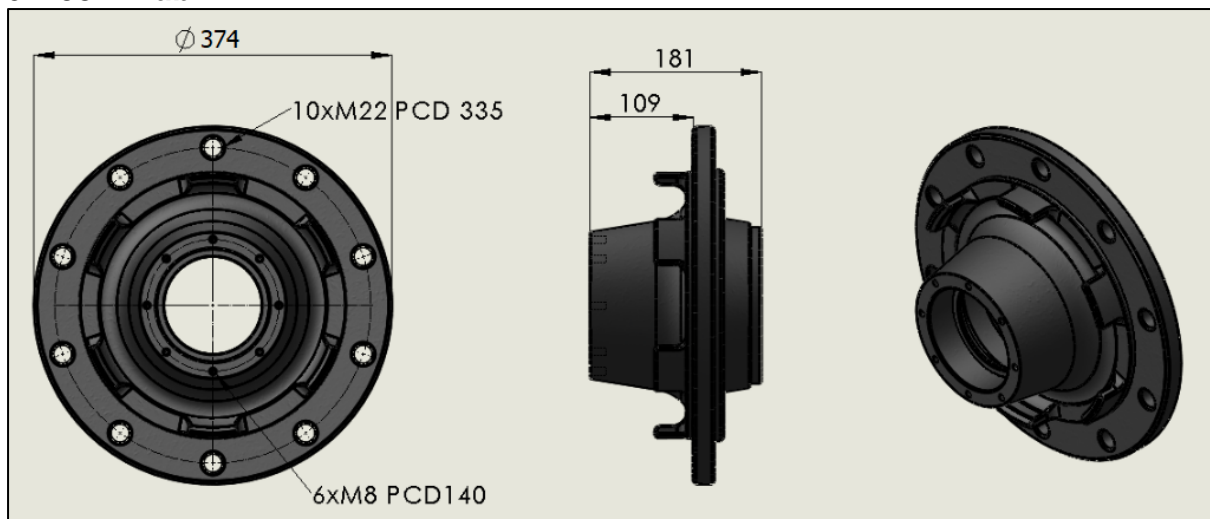
61260F – Inner bearing and cone



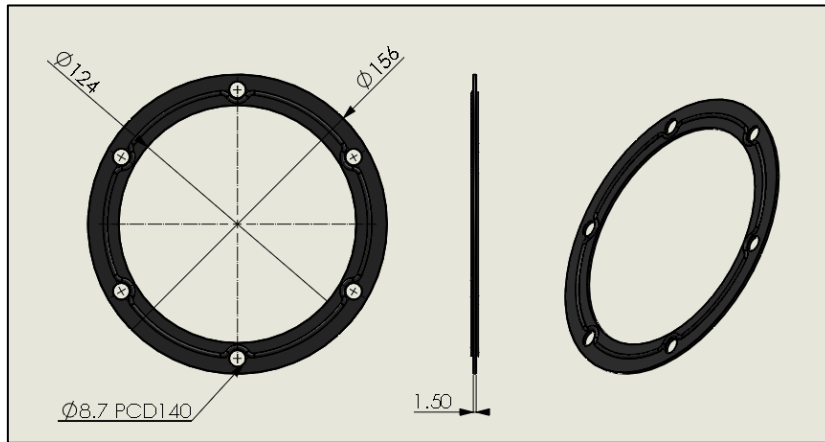
61270F – Outer bearing and cone



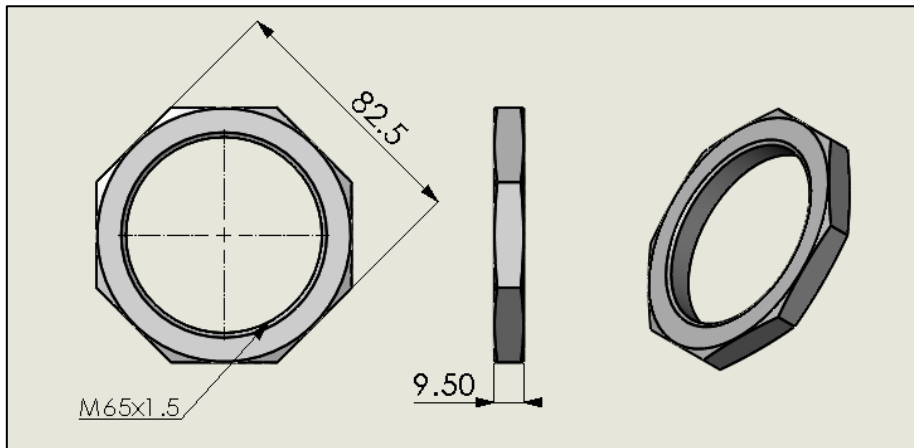
61253 – Hub



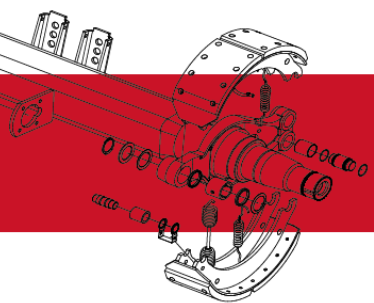
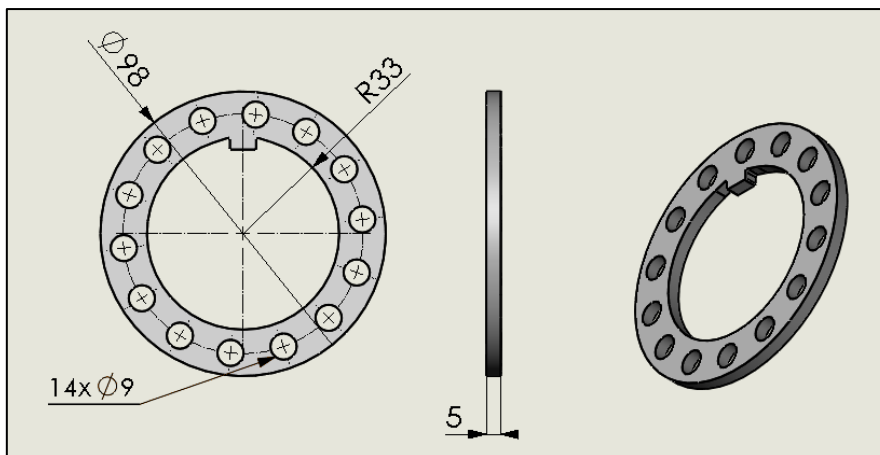
61330F – Gasket



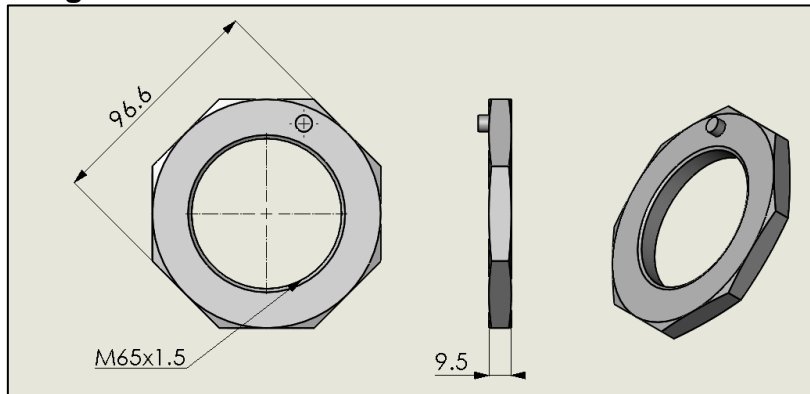
61310 – Locknut



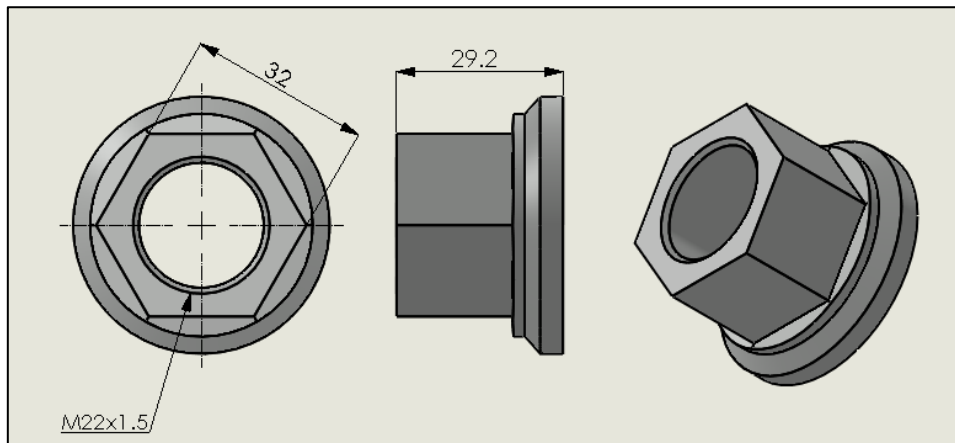
61300 – Lock Washer



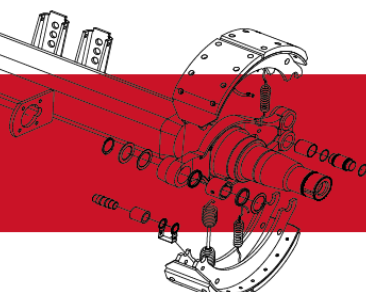
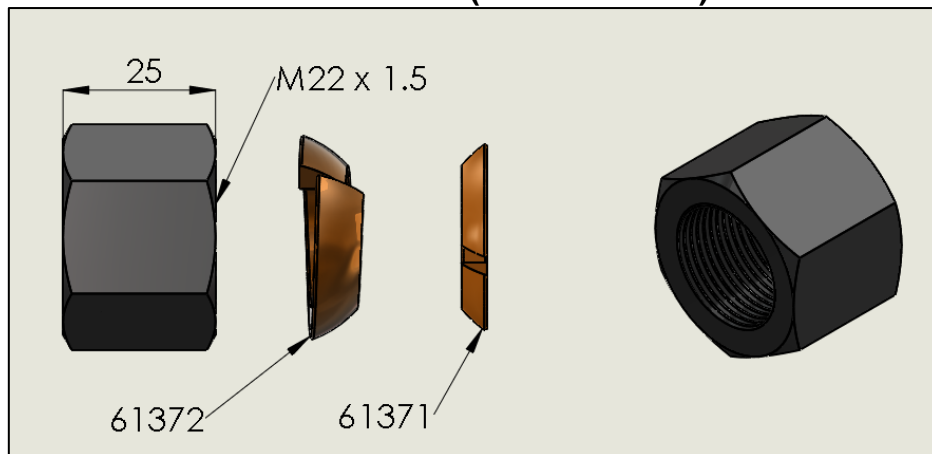
61290 – Adjusting Nut



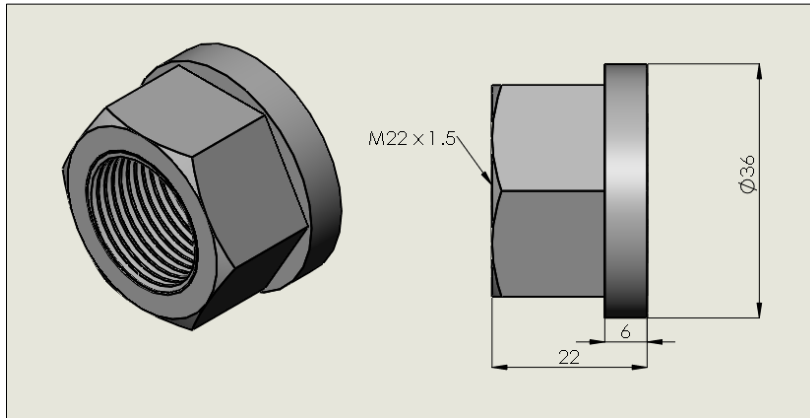
61381Z – ISO M22 Wheel Nut



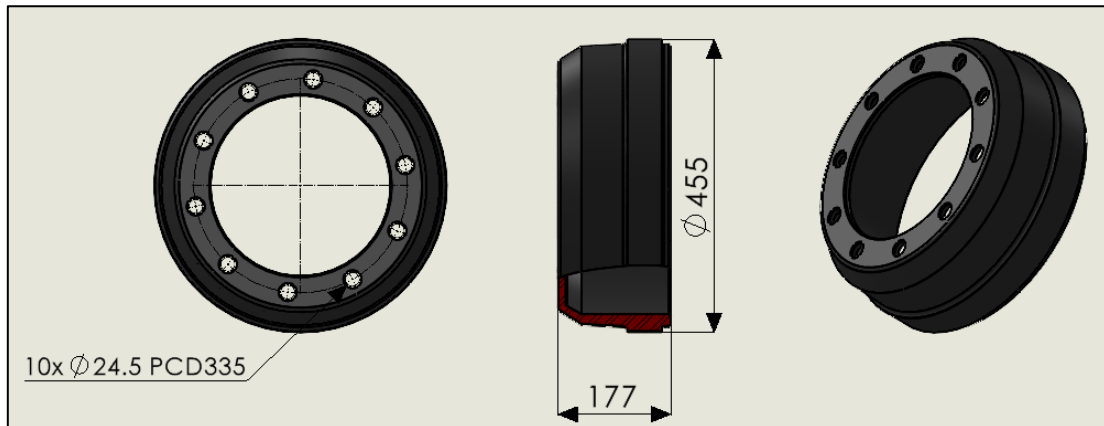
61383 – M22 DIN Wheel Nut + Washers (61372 & 61371)



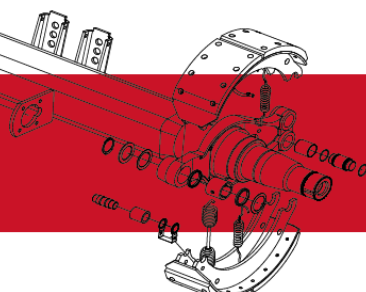
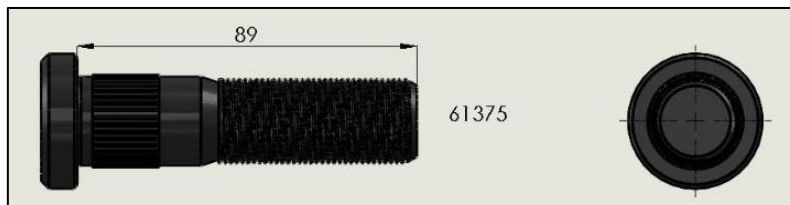
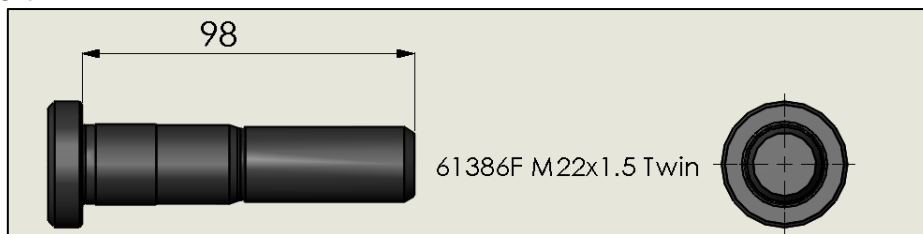
61411 – M22 DIN Wheel Nut



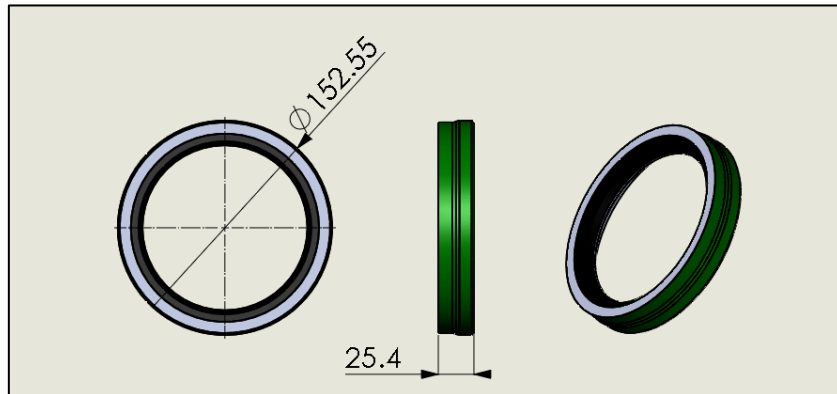
61550A – Brake Drum



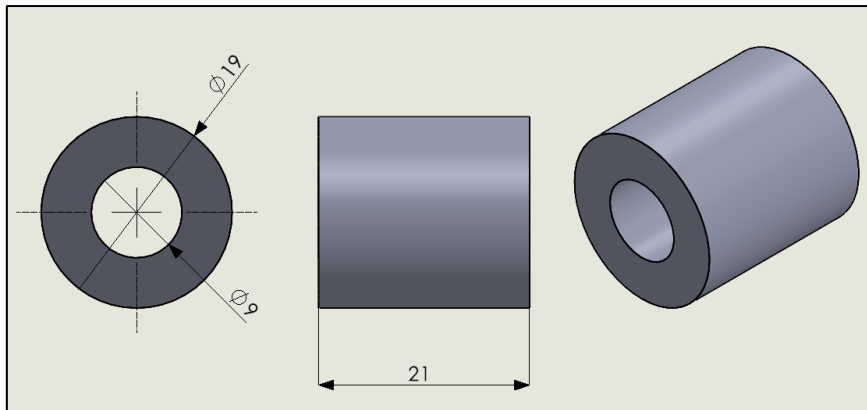
Wheel Bolt



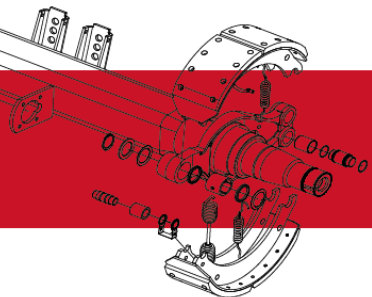
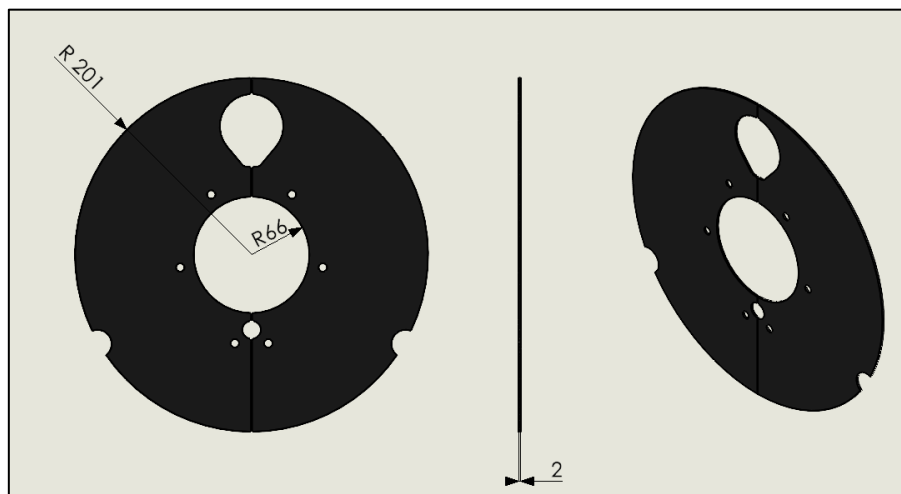
61282F – Unitised Grease Seal



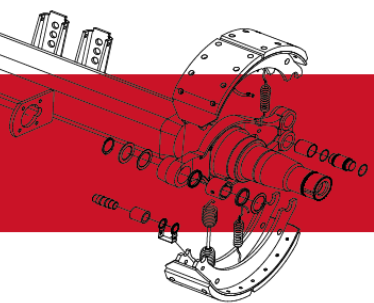
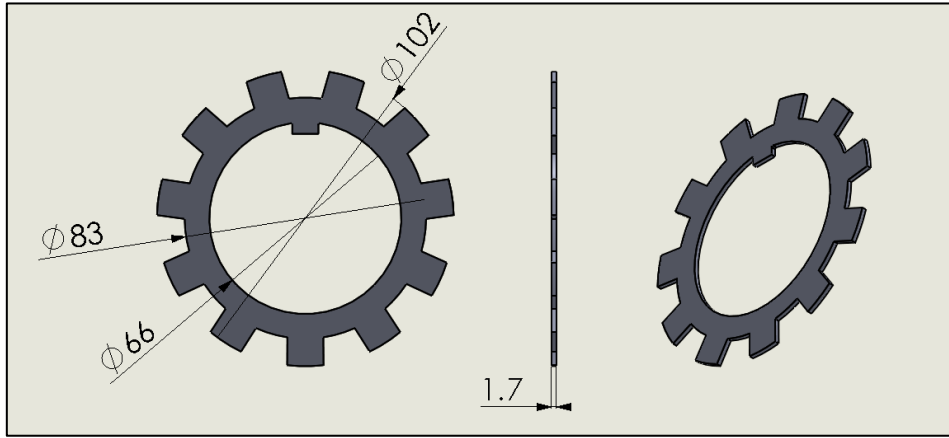
61404A - Dust Cover Spacer



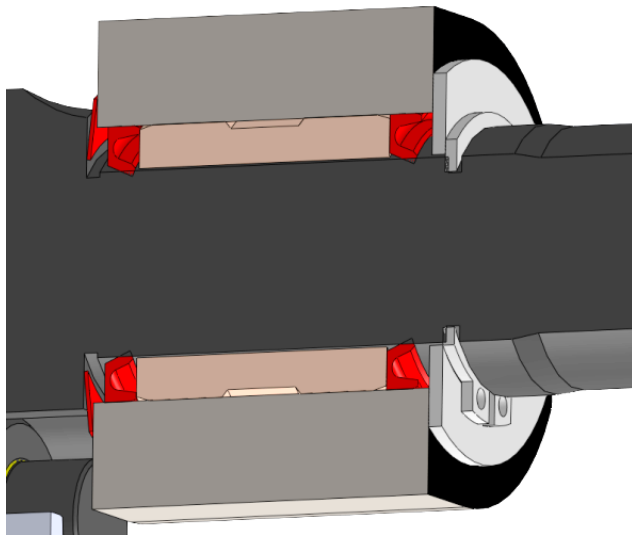
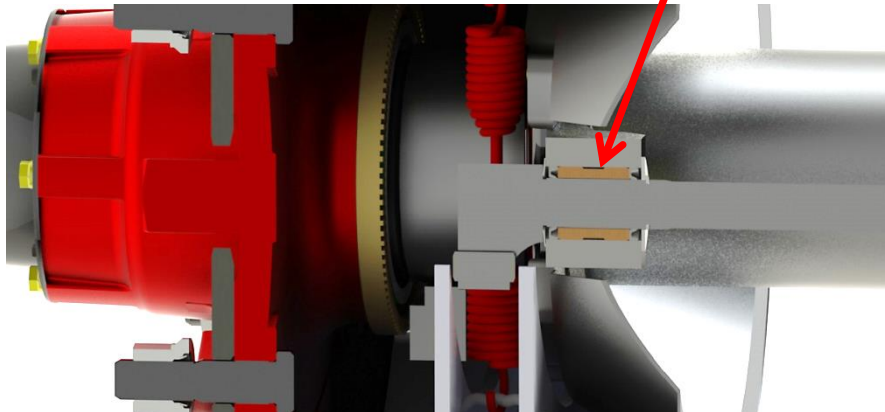
61363A - Dust Cover



61311 – Tab Washer



The direction of the grease seals in the anchor bracket is important as well as the position of the beveled washer between the anchor bracket and camshaft head.



We reserve the right to make changes to specifications or to make improvements to the products in this catalogue without prior notice. We are not responsible for inaccuracies or omissions.

