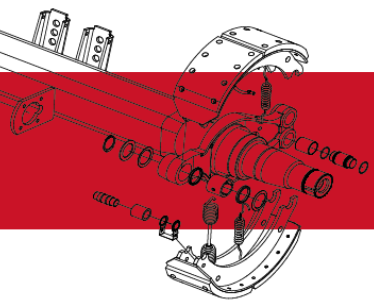
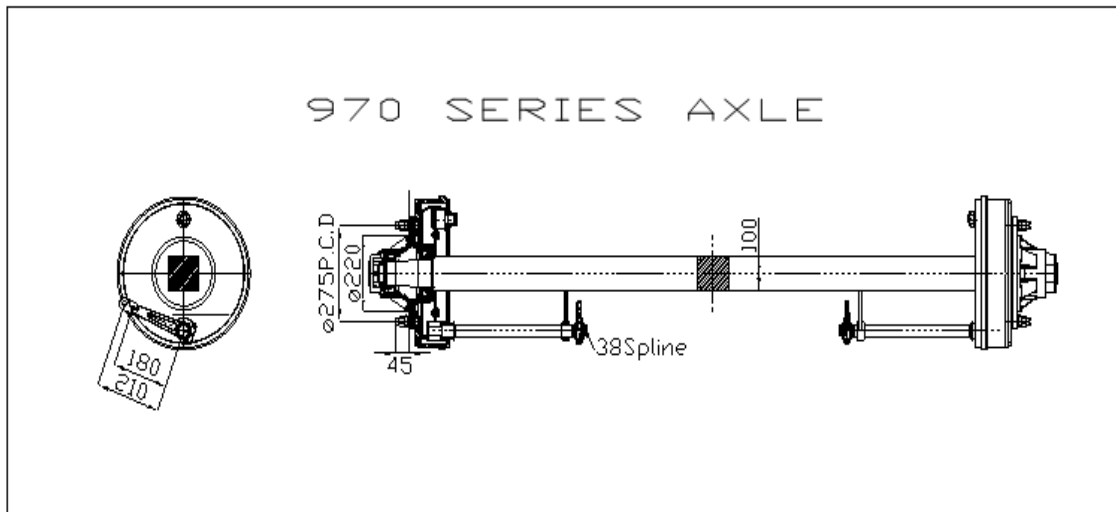


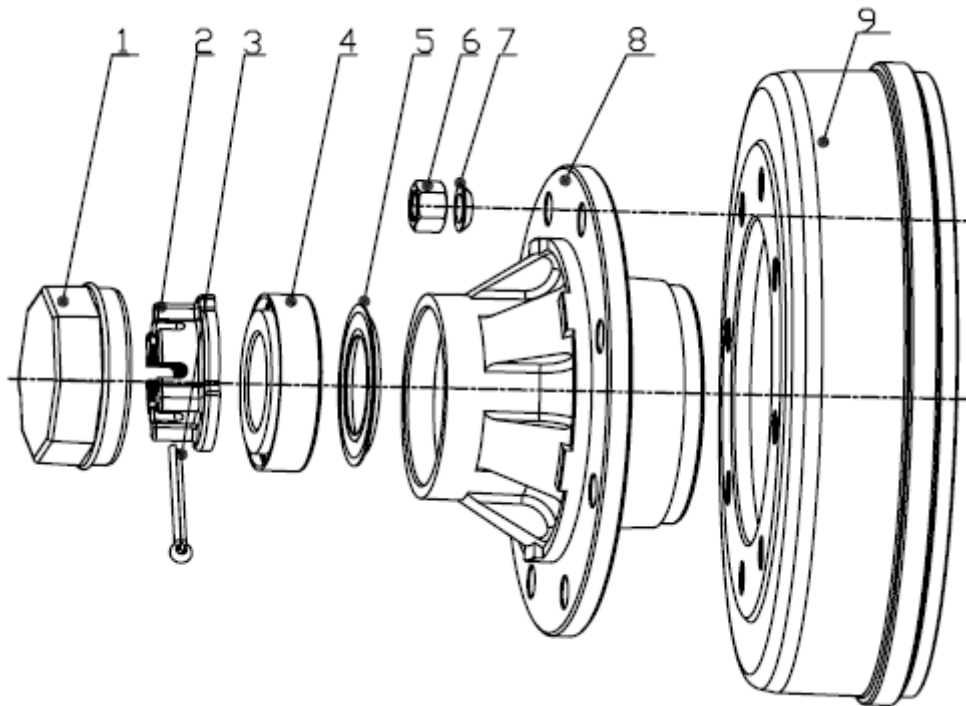
Axle Bill Of Materials

97300 Series 400x80

80204 Rev B June 2024

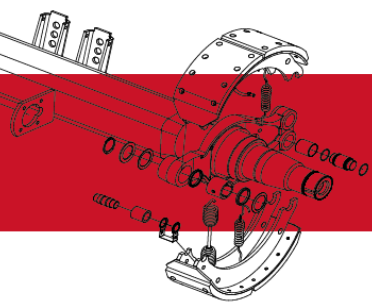
400 x 80 - 97300 SERIES AXLE

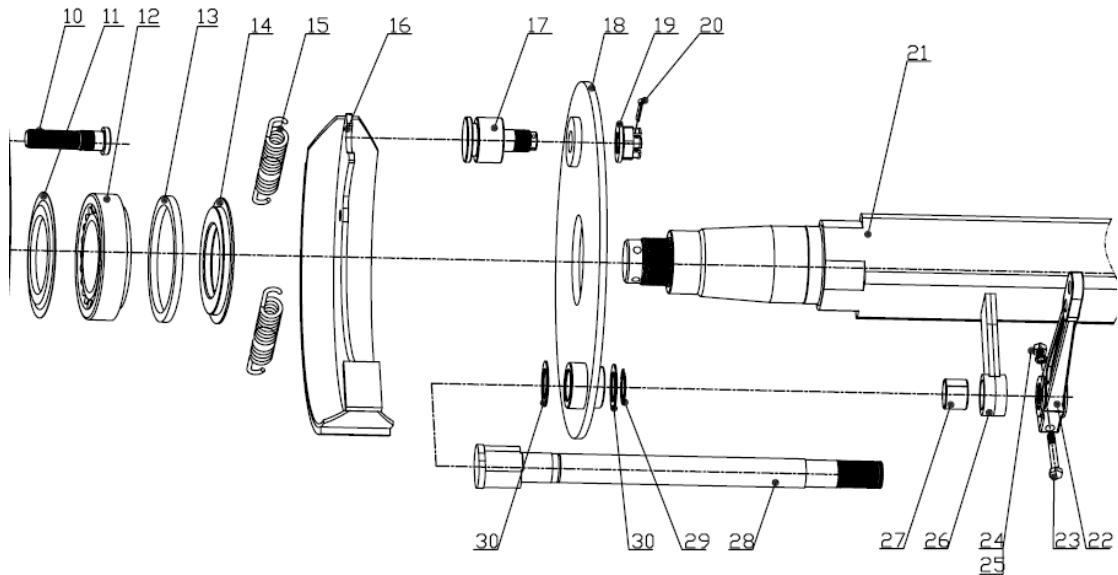




400 x 80 - 97300 Series Axle Brake Assembly

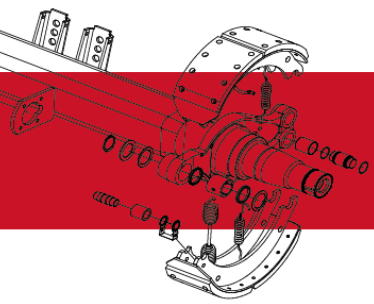
Item	Description	Part No.	Quantity
1	Hub Cap	61326	2
2	Spindle nut	97530	2
3	Cotter pin	97533	2
4	Outer bearing	61276	2
5	Small Ring	68162	2
6	Wheel nut	68154	16
7	Split washer	68153	16
8	Hub	68120	2
9	Drum	97573	2





400 x 80 - 97300 Series Axle Brake Assembly

Item	Description	Part No.	Quantity
10	Wheel Bolt	97567	16
11	Big ring	68163	2
12	Inner Bearing	61275	2
13/14	Seal	68160	2
15	Brake shoe retaining spring	97568	4
16	Brake shoe assembly	97569	4
17	Anchor Pin	97574	2
18	Dust cover	97576	2
19	Slotted nut of anchor pin	97572	2
20	Cotter pin of anchor pin	97546	2
26	Camshaft support	97571	
27	Bush of Support of Camshaft	97566	2
28	Camshaft	See Below	2
29	Circlip	97503	2
30	Flat washer	97502	4

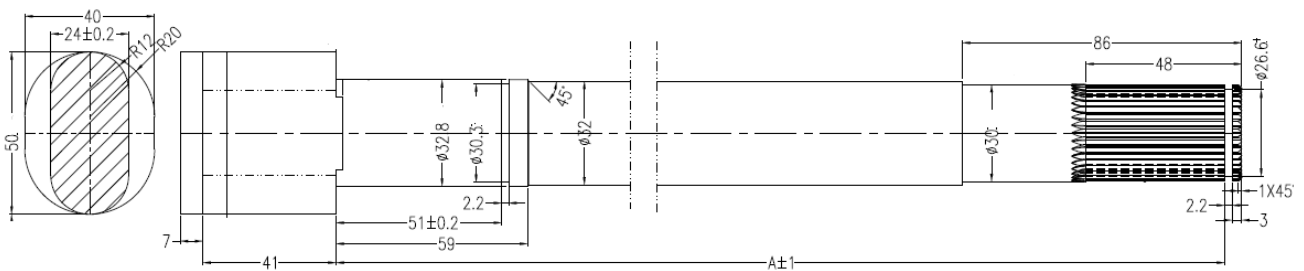




20095 Automatic Slack Adjuster

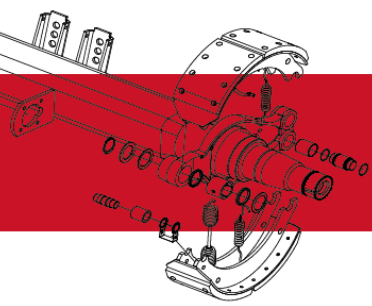


20094 Manual Slack Adjuster



AXLE CAMSHAFT

Axle Part Number	Camshaft length (A)	Camshaft Part Number
97300	477mm	97653
97304	345mm	97627
97305	345mm	97627
97306	345mm	97627





Our Offices

Ireland

Tel +353 (0) 45 897 553

Fax +353 (0) 45 848 638

UK

Tel +44 (0) 1925 817 689

Fax +44 (0) 1925 817 153

NI

Tel +44 (0) 2890 740 055

Fax +44 (0) 2890 752 718

Poland

Tel +48 (0) 29 753 1616

Fax +48 (0) 29 753 1604

sales@granningaxles.ie