

## Axle Bill Of Materials

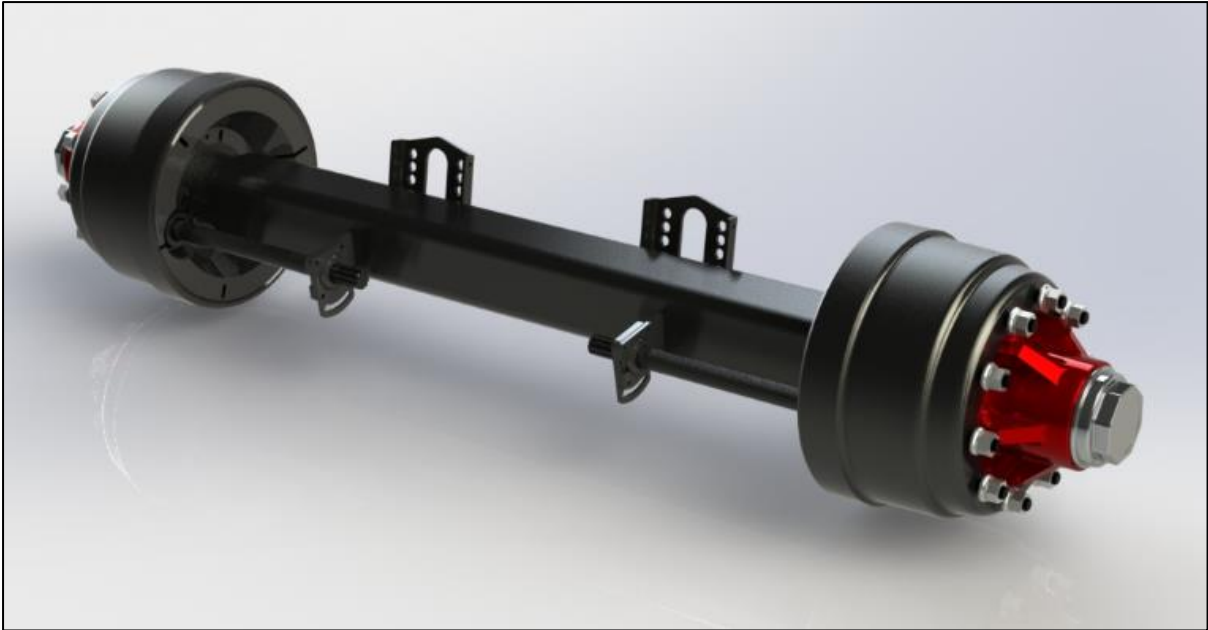
950F Series Drum Brake

*External Drum, 420mm x 180mm*

*Updated: November 2024*

*80288 REV D*

## 420X 180 – 950 SERIES AXLE



**950 series axle is TUV tested to 11000Kg, please see website for test report.**

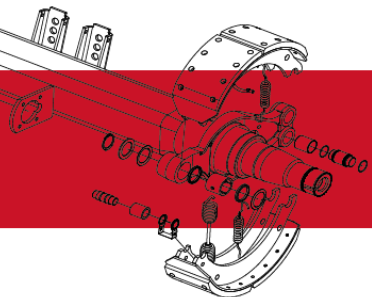
**335mm PCD, 10 stud M22 hub and drum. 280.8mm hub pilot.**

**Available in single and twin wheel stud.**

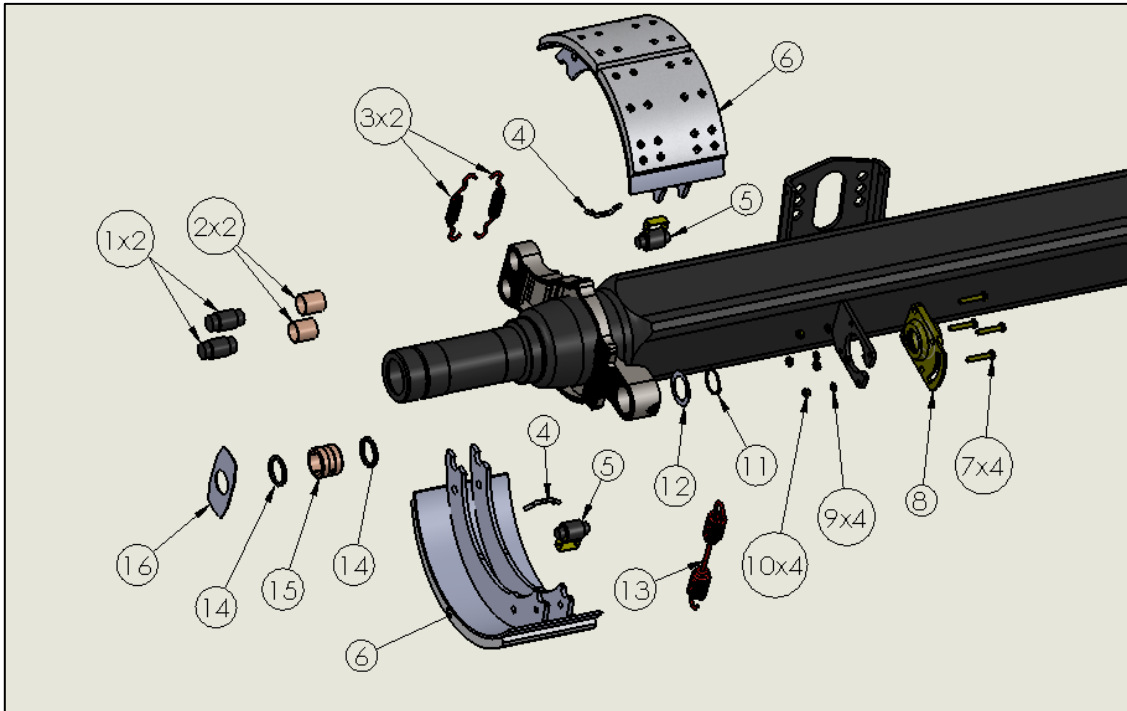
**37 spline camshaft**

**Service manual available on website**

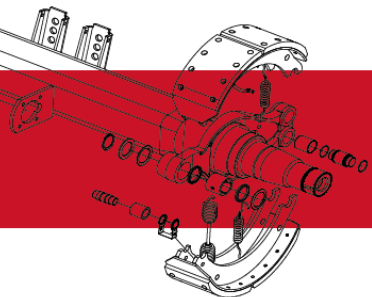
**Please see following pages for part identification**



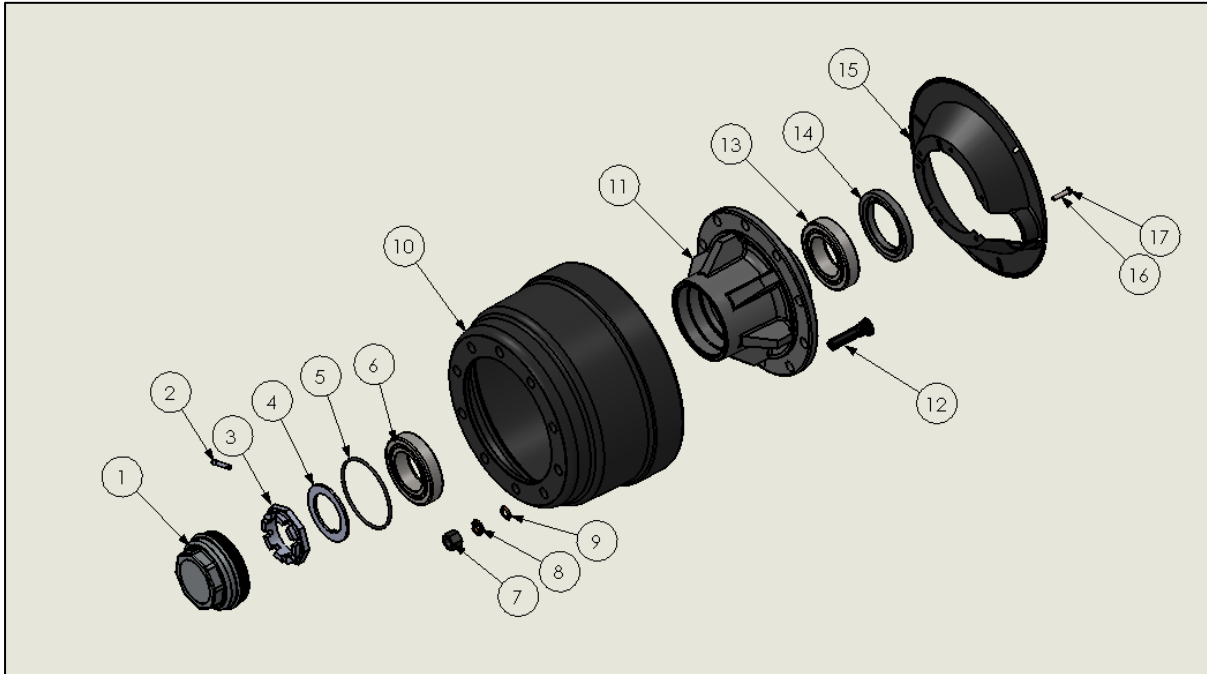
## 420 x 180 – 950 Series Brake Shoe Assembly



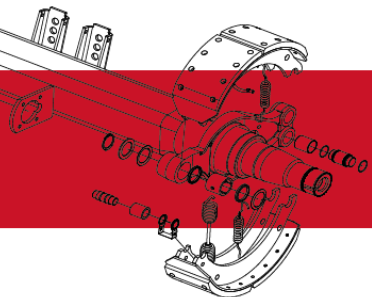
Item	Description	Part Number	QTY per Axle
1	Anchor Pin	20066	4
2	Anchor Pin Bush	20067	4
3	Brake Shoe Retaining Spring	61141	4
	<b>Brake Shoe Assembly</b>	20024FA	
(4)	Spring Anchor Bar	61150	4
(5)	Retainer Cam Roller	20064	4
	One Piece Cam Roller	61235	4
(6)	Brake Shoe	20024F	4
7	Hex Bolt M10x32	20111	8
8	Spherical bearing	20118	2
9	Plain Washer $\varnothing 10$	20051	8
10	Hex Nut M10	20052	8
11	Circlip	20043	2
12	Camshaft Washer	20042	2
13	Brake Shoe Return Spring	61140	2
14	Seal	20040	4
15	Anchor Bracket Bush	20041	2
16	Cam bearing Steel Washer	20039	2



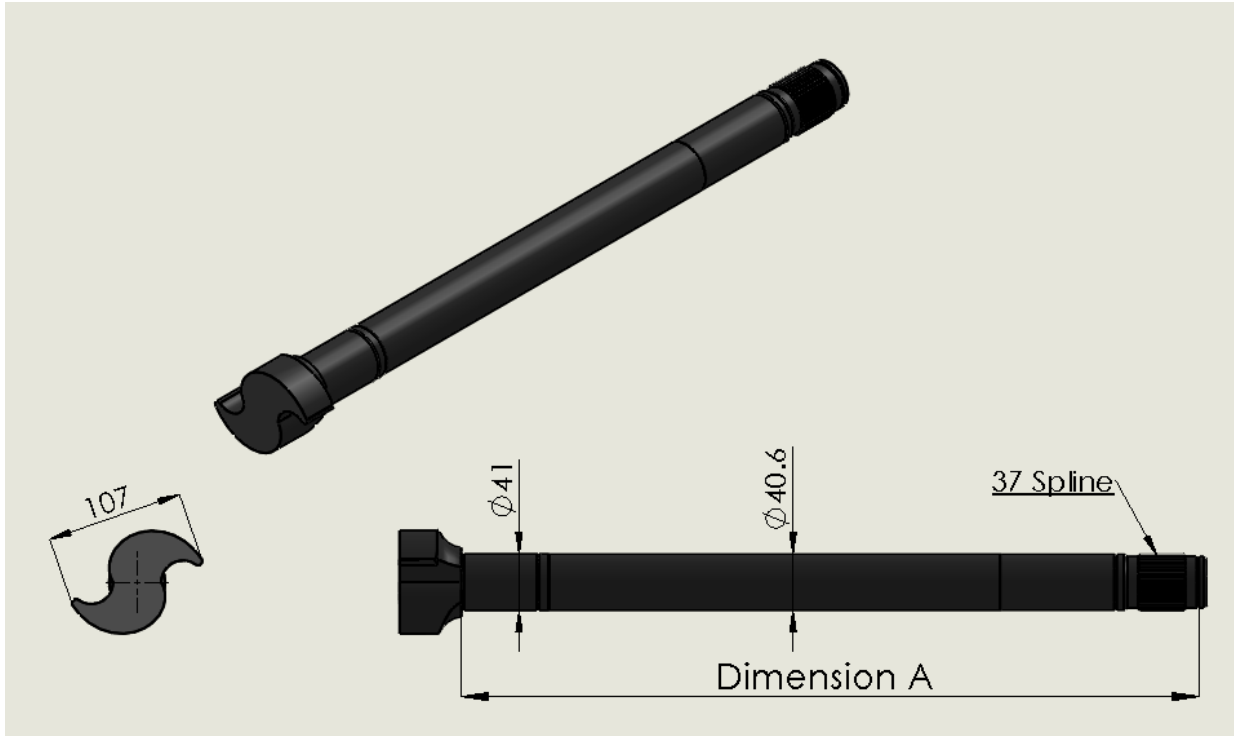
## 420 x 180 – 950 Series External Drum Assembly



Item	Description	Part Number	QTY per Axle
1	Hub Cap (G Logo)	20130	2
2	Hub Cap Split Pin	20059	2
3	Spindle Castle Nut	20060	2
4	Spindle Washer	20058	2
5	Hub Cap Seal	20001	2
6	Outer Bearing	20002	2
7.1	ISO Wheel Nut	61381Z	20
7.2	DIN Wheel Nut	61383	20
7.3	DIN Wheel Nut	61411	20
(8)	DIN Nut outer washer	61372	20
(9)	DIN Nut inner washer	61371	20
10	External Drum	20008	2
11	Hub	20010	2
12.1	Wheel Bolt – Single (82mm)	20201	20
12.2	Wheel Bolt – Twin (94mm)	20200	20
13	Inner Bearing	20002	2
14	Hub Seal	20013	2
15	Dust Cover	61390F	2
16	Dust Cover Washer	20016	12
17	Dust Cover Bolt (M8)	61358F	12



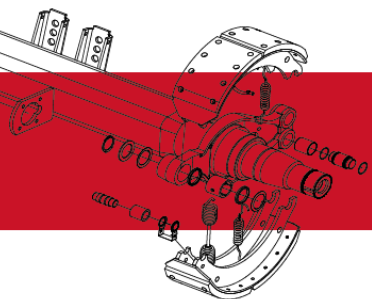
## 420 x 180 – 950 Series Camshaft Parts List



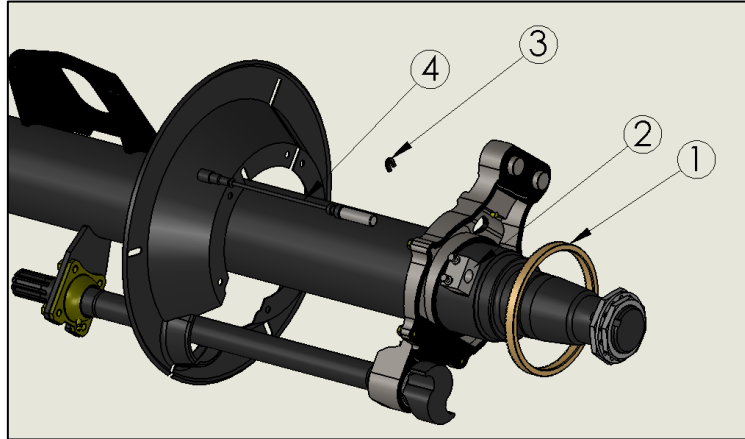
Dimension A	Part No.
189mm – Left Hand Large Head	61086
189mm – Right Hand Large Head	61087
250mm – Left Hand Large Head	20085
250mm – Right Hand Large Head	20086
538mm – Left Hand Large Head	20035
538mm – Right Hand Large Head	20036
194mm – Left Hand Large Head	20202
194mm – Right Hand Large Head	20203

37 Spline camshafts lengths are measured from under head to the end of the camshaft.

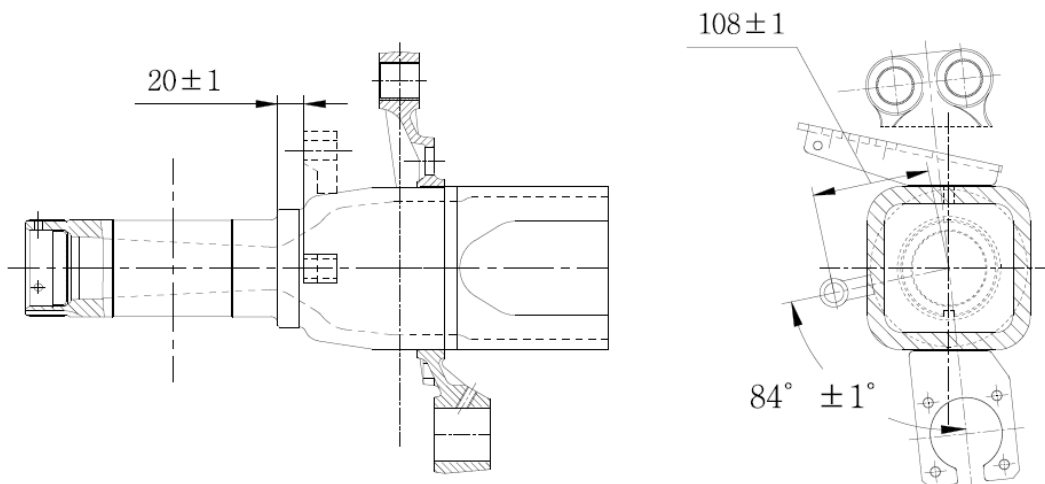
The illustrated camshaft is a left hand camshaft. When looking at the head of the camshaft a right hand cam is Z shaped and a left hand is S shaped.



## ABS/Anti-Lock Assembly



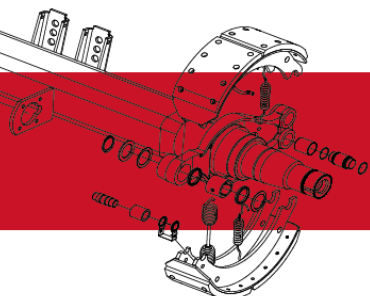
Item	Description	Part No.
1	Pole Wheel (100 tooth)	20119
2	Sensor Block	20120
3	Dust Cover Grommet	61557
4	Single Sensor Lead Kit (Sensor/Bush/Paste)	61790F



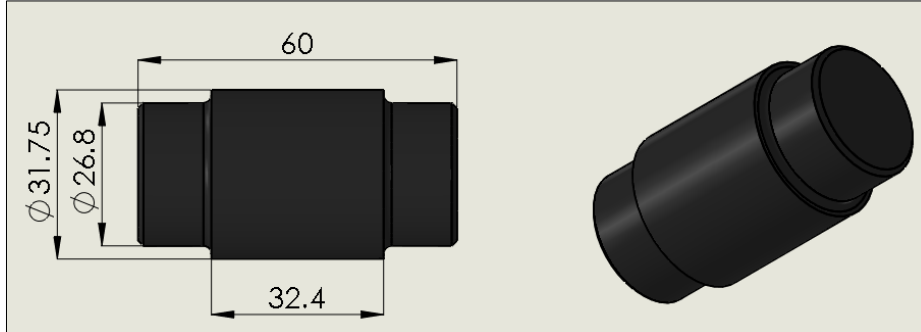
ABS sensor at 216mm PCD

Face of sensor block 20mm from large bearing shoulder

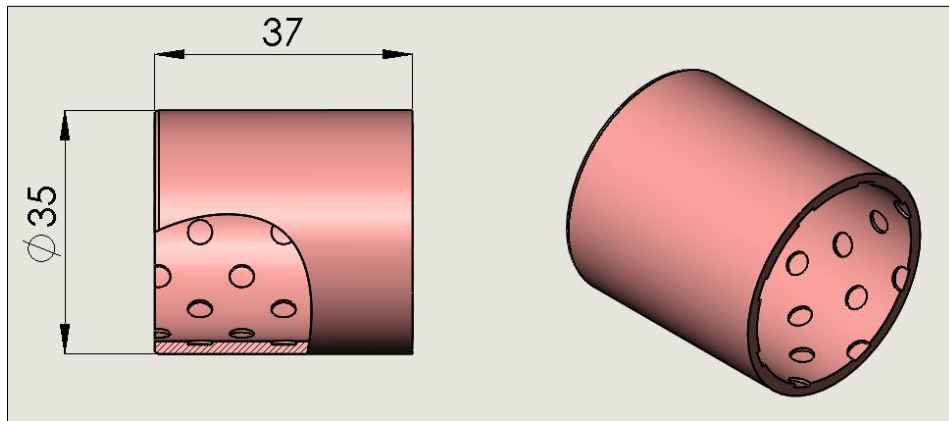
ABS Block welded 84Degrees from the camshaft axle center line. After fitting ABS sensor check the sensor is working properly.



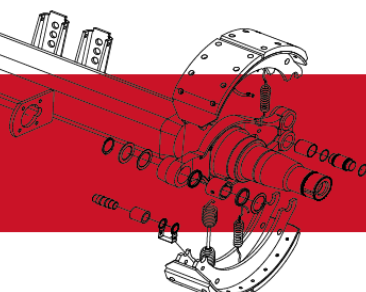
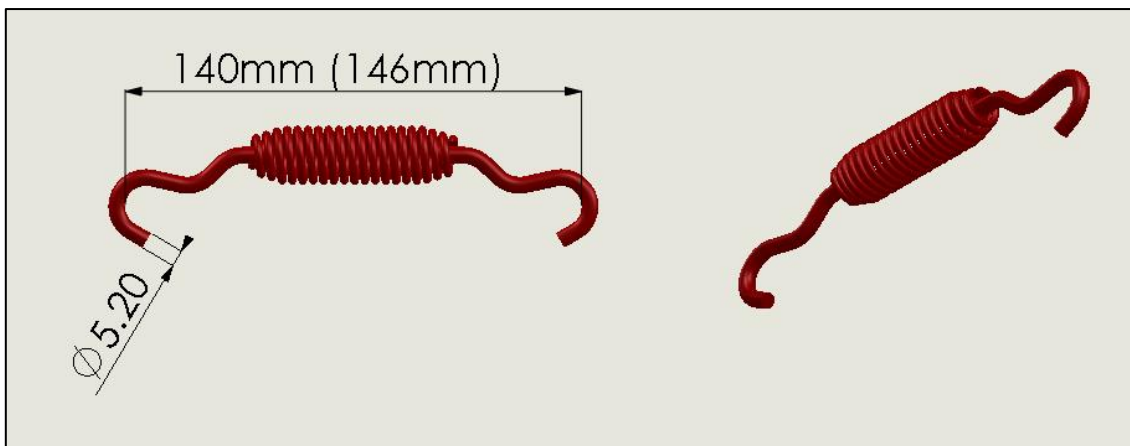
**20066 – Anchor pin**



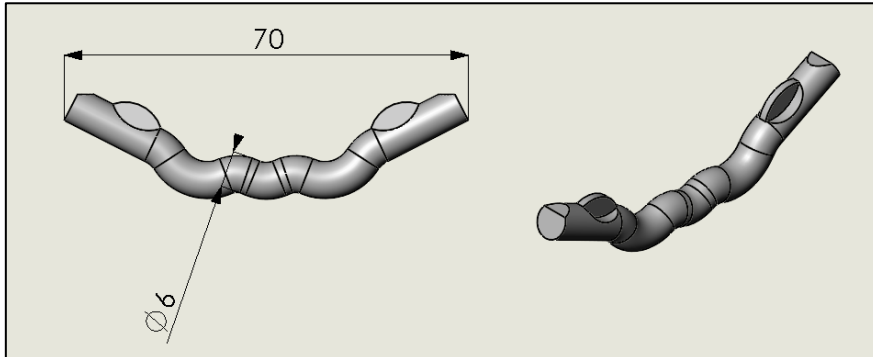
**20067 (61200B) – Bush Anchor Pin**



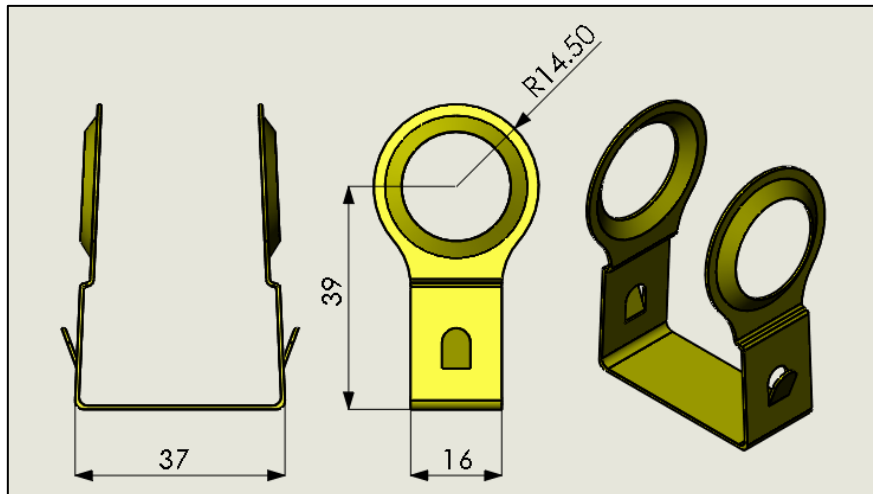
**61141 – Brake Shoe Retaining Spring**



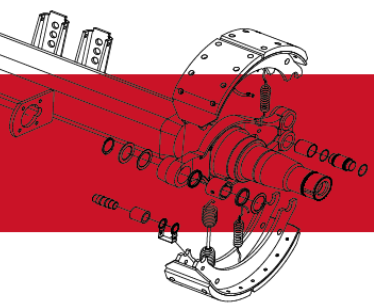
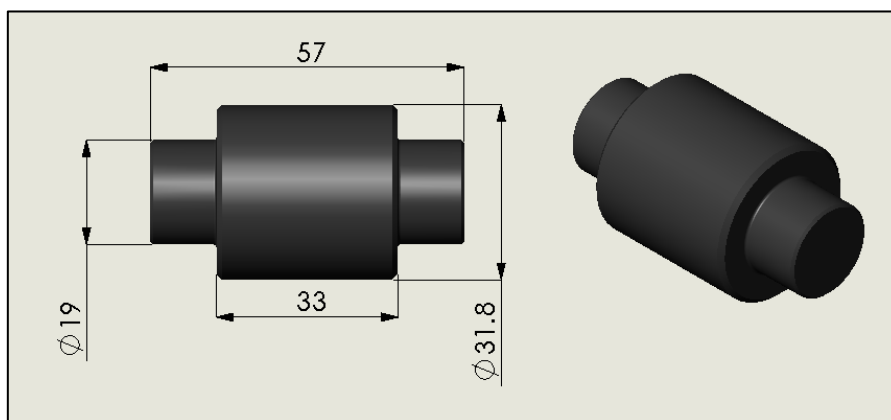
**61150 – Spring Anchor Bar**



**20064 – Retainer Cam Roller**



**61235 – One Piece Cam Roller**



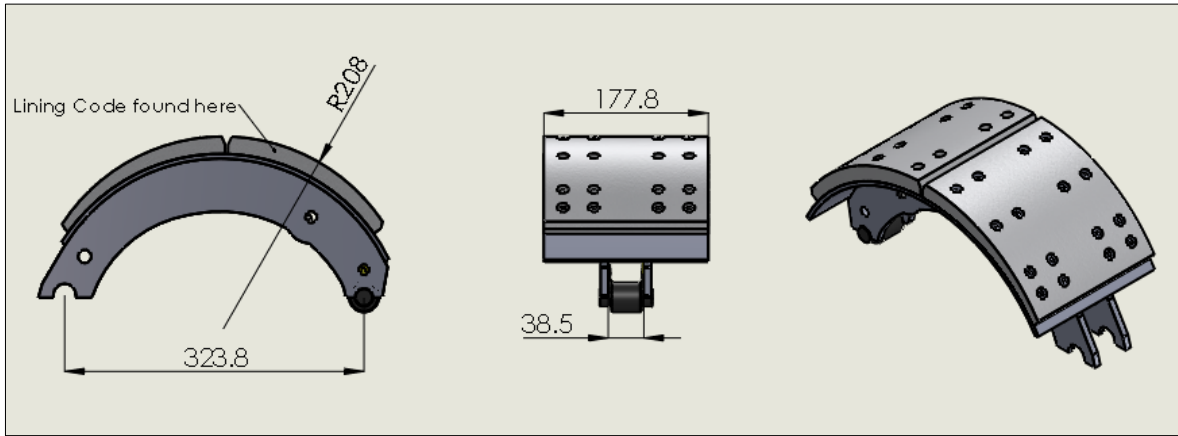




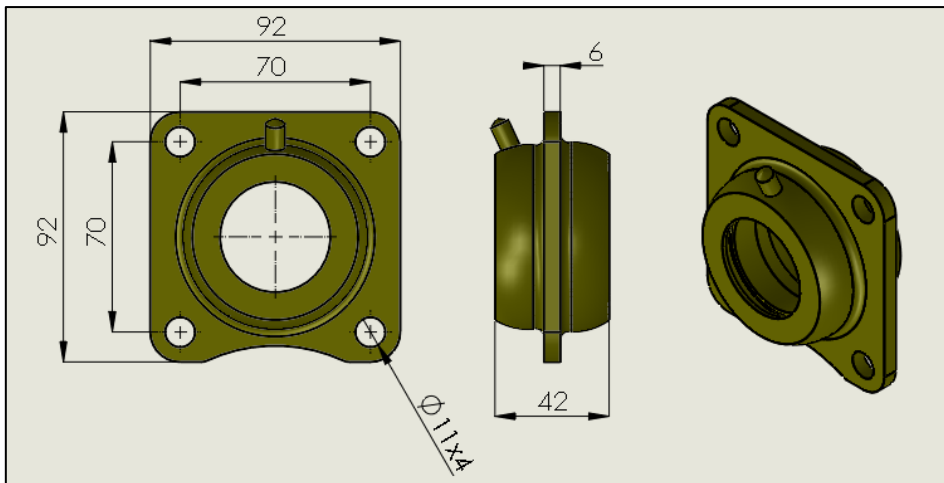
# granning

axle and suspension solutions

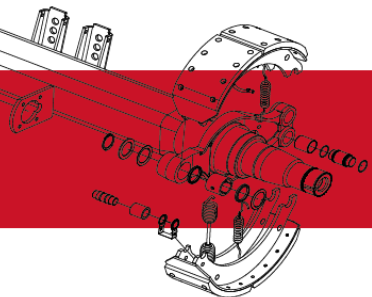
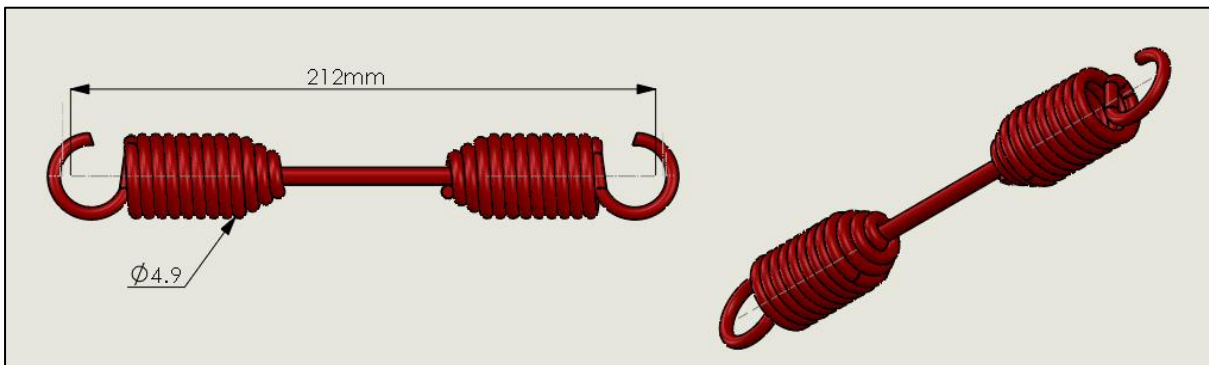
## 20024FA – Brake shoe with spring anchor bar and cam roller



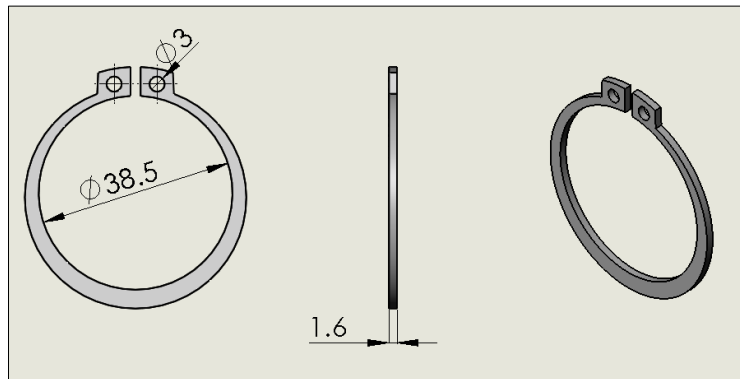
## 20118 – Camshaft Spherical Bearing



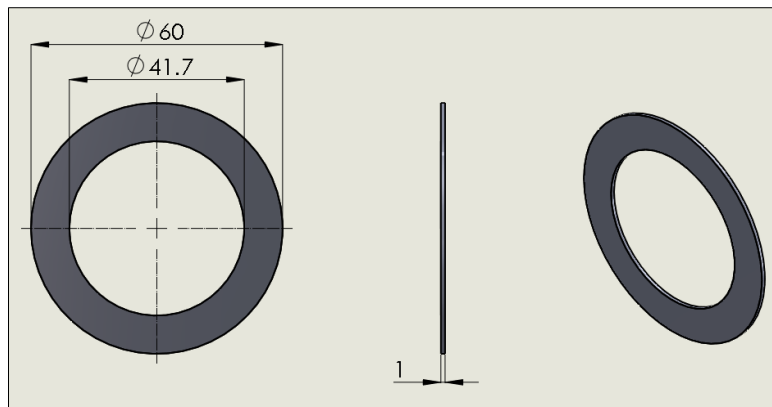
## 61140 – Spring Return



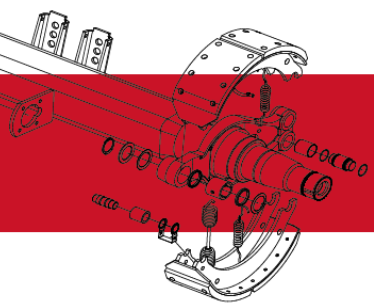
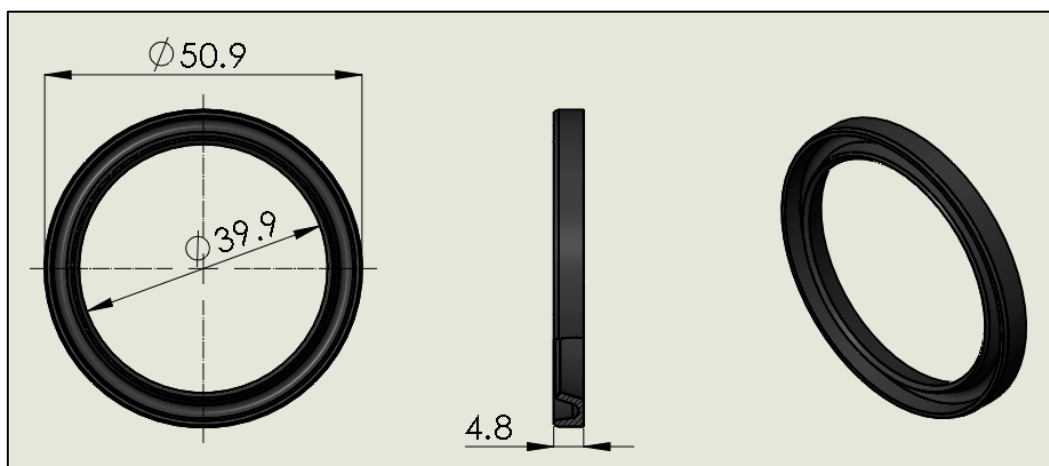
**20043 - Circlip**



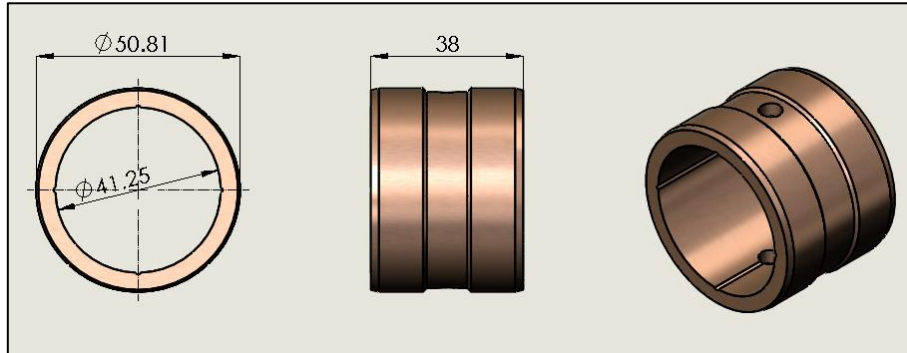
**20042 - Camshaft Support Washer**



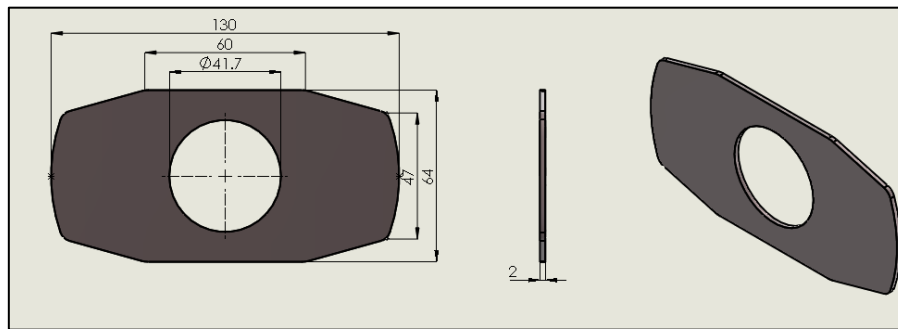
**20040 - Camshaft Grease Seal**



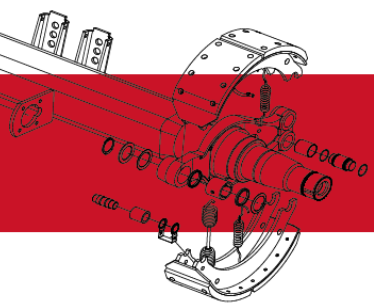
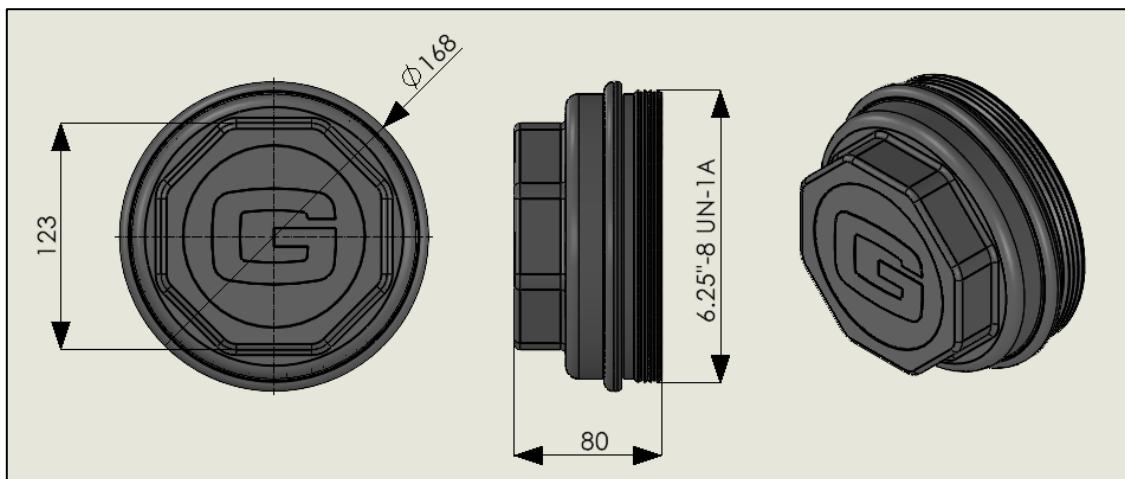
**20041 – Anchor Bracket Bush**



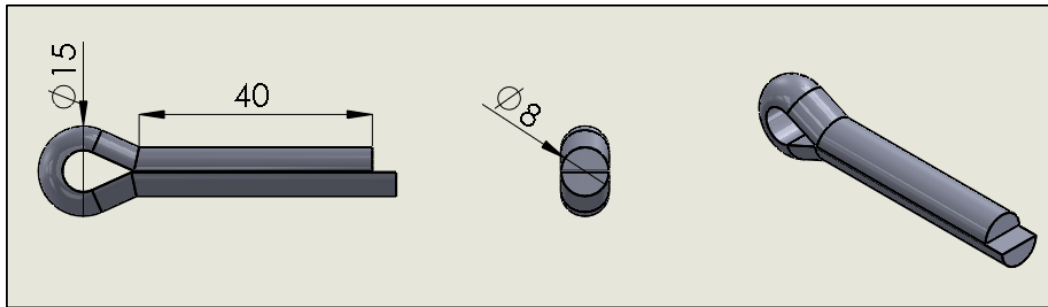
**20039 – Cam Bearing Steel Washer**



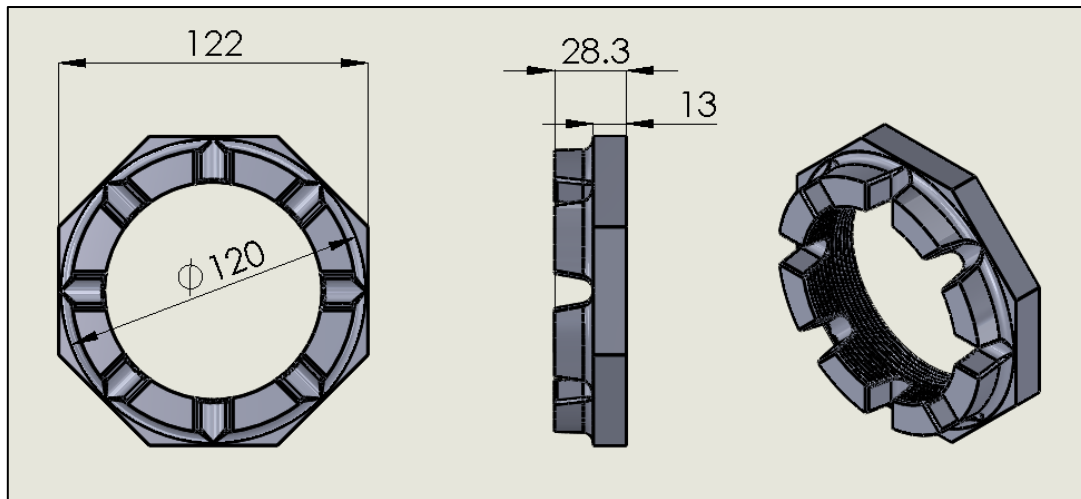
**20130 – Hub Cap Pressing (G Logo)**



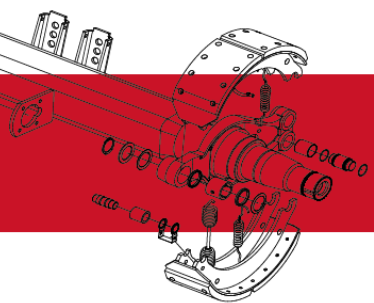
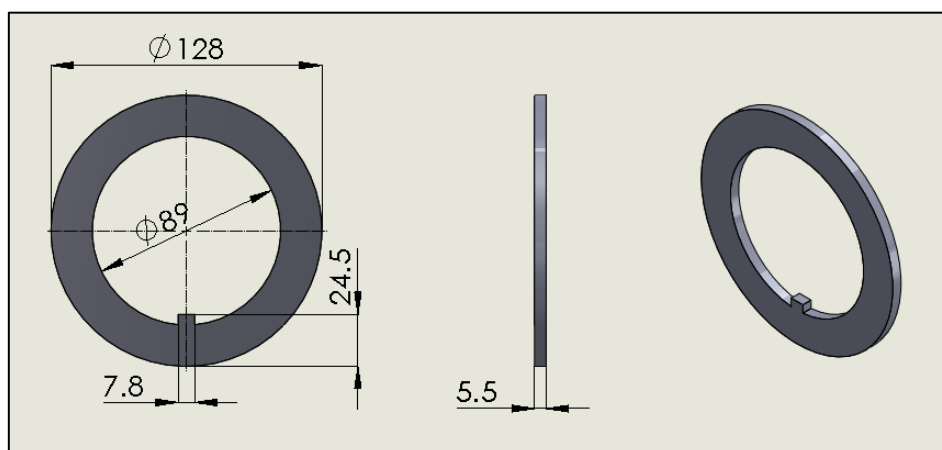
**20059 – Spindle Split Pin**



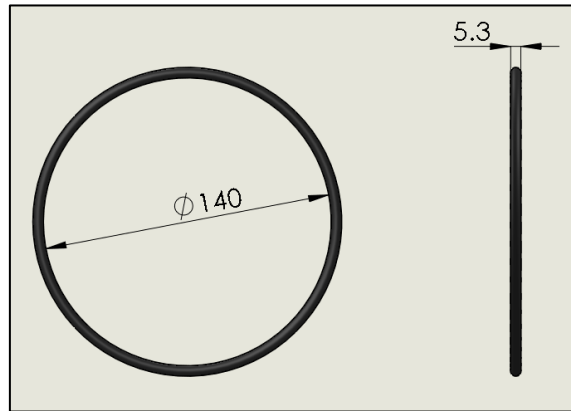
**20060 – Spindle Castle Nut**



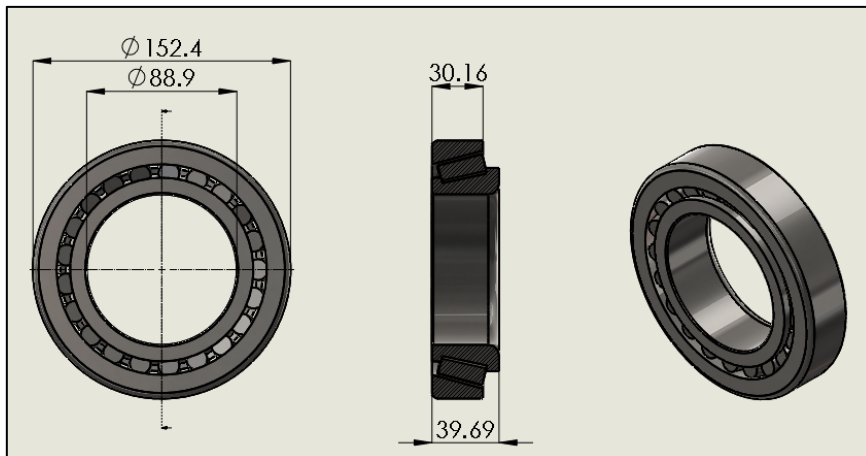
**20058 – Spindle Washer**



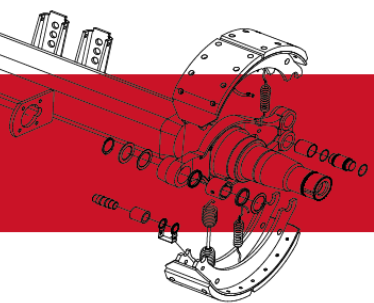
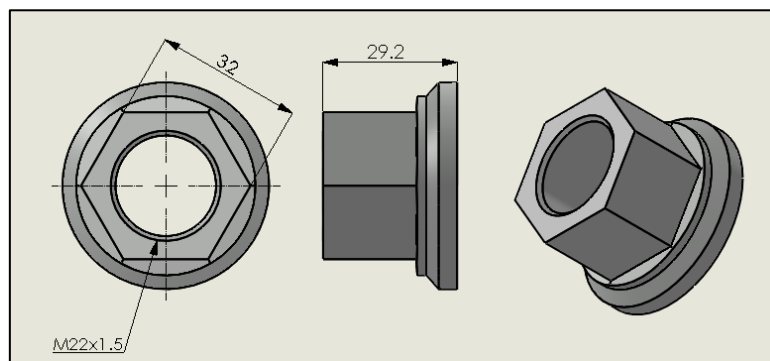
**20001 – Hub Cap Seal**



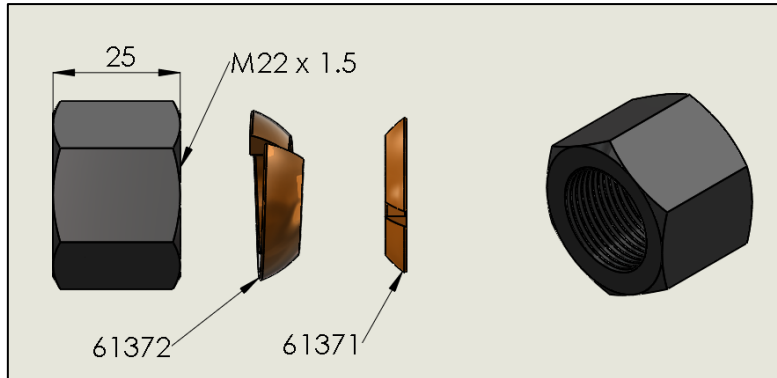
**20002 – Inner and Outer Bearing**



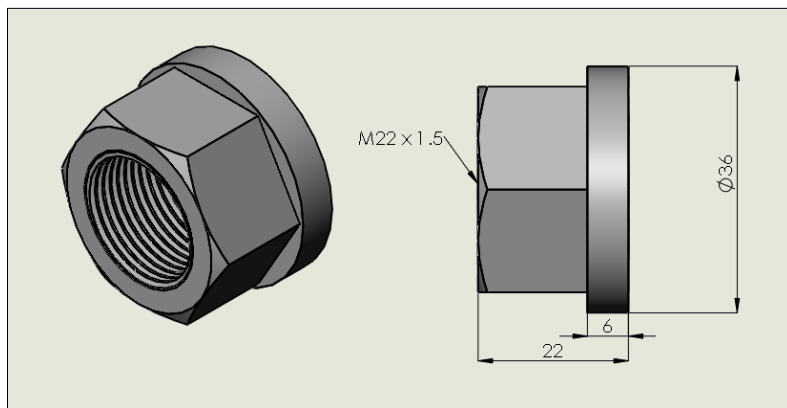
**61381Z- M22 ISO Wheel Nut**



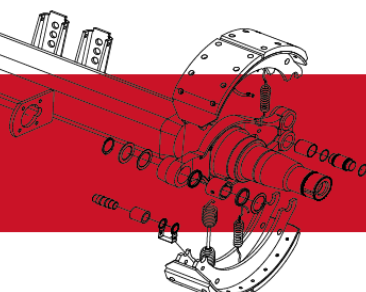
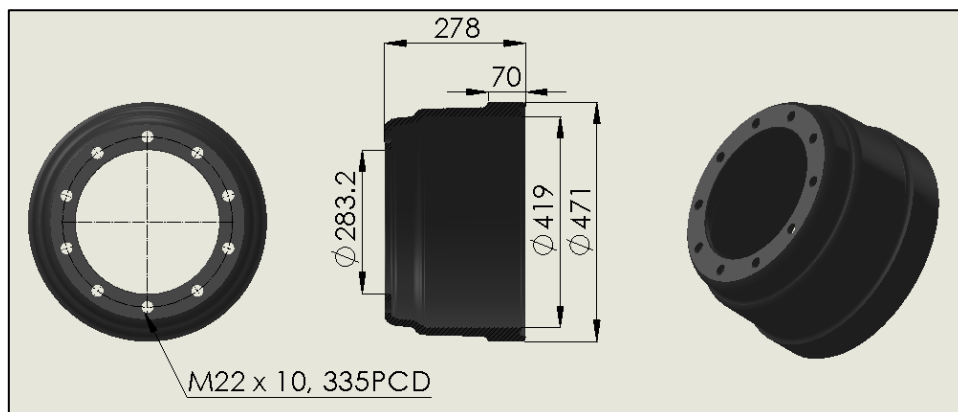
**61383- M22 DIN Wheel Nut + Washers (61372 & 61371)**



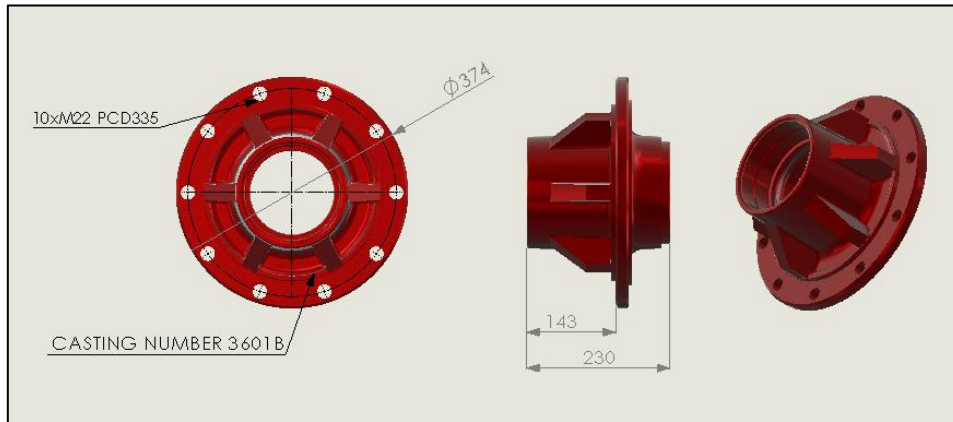
**61411- M22 DIN Wheel Nut**



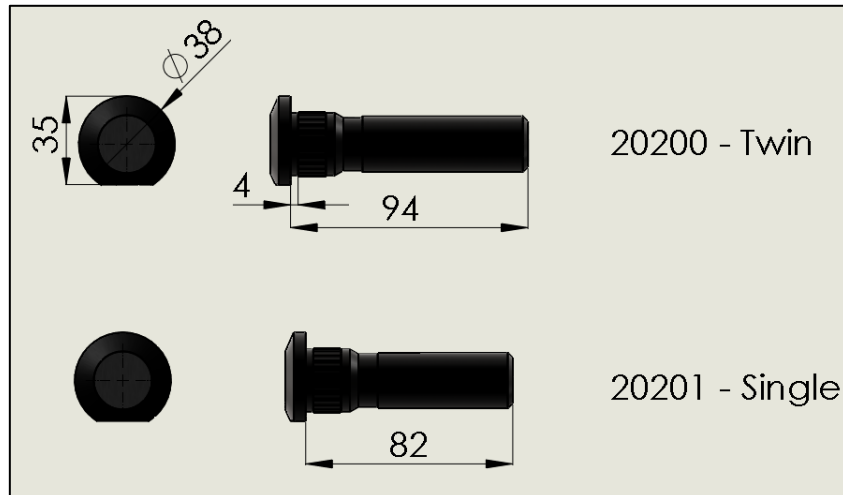
**20008 – External Drum**



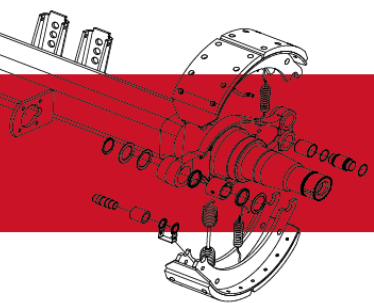
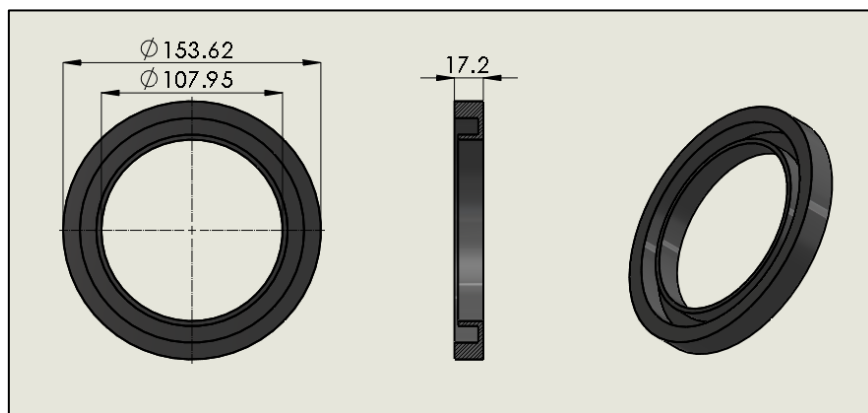
## 20010 – Internal Hub



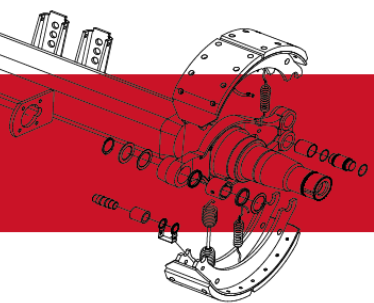
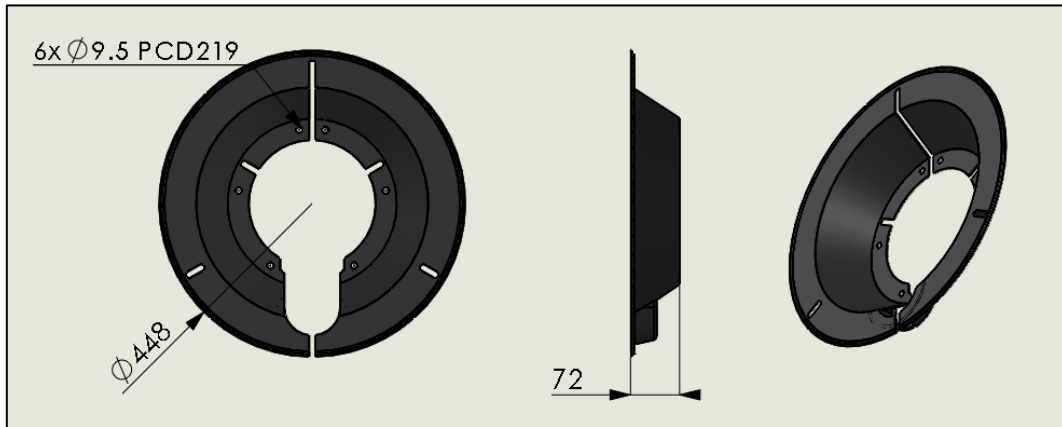
## Wheel Bolt



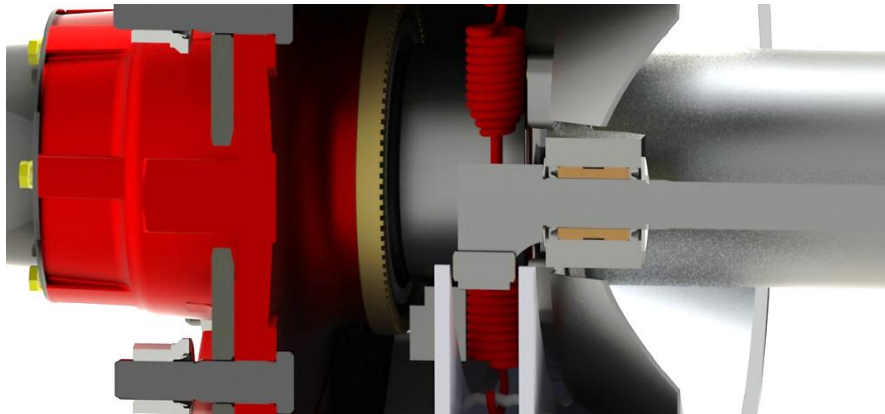
## 20013 – Hub Seal



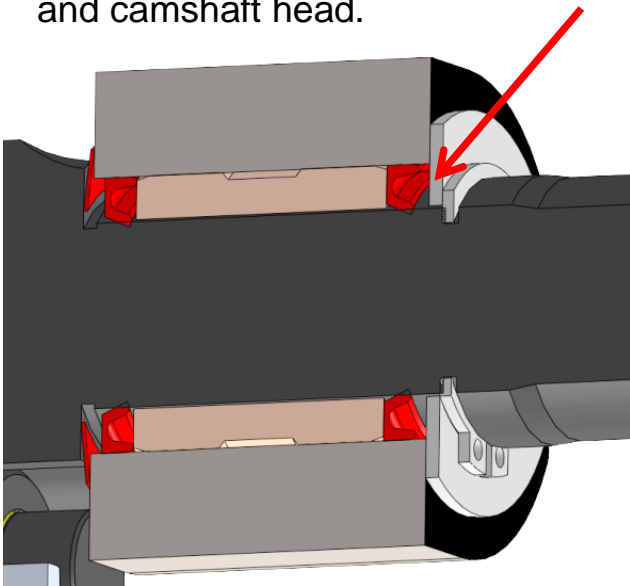
Dust Cover 61390F







The direction of the grease seals in the anchor bracket is important as well as the position of the beveled washer between the anchor bracket and camshaft head.



We reserve the right to make changes to specifications or to make improvements to the products in this catalogue without prior notice. We are not responsible for inaccuracies or omissions.

