

Axle Bill Of Materials

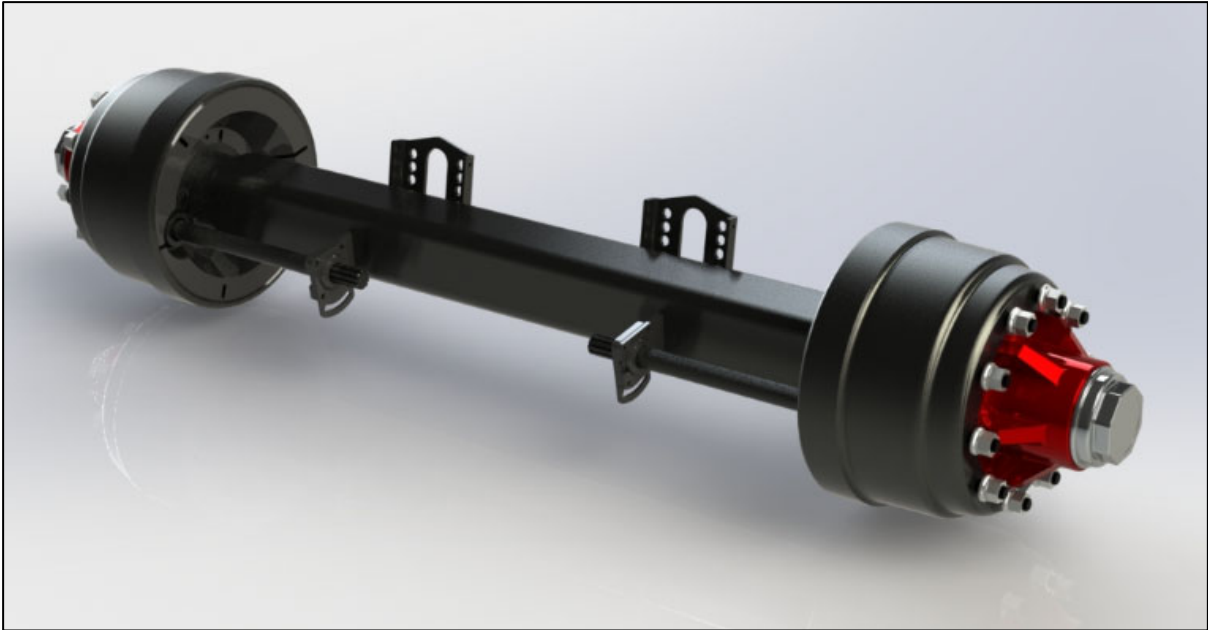
980F Series Drum Brake

External Drum, 420mm x 180mm

Updated: November 2024

80385 REV C

420 X 180 – 980 SERIES AXLES



980 series axle is TUV tested to 11000Kg, please see website for test report.

Axle components rated to carry 16000kg

335mm PCD, 10 stud M22 hub and drum. 280.8mm hub pilot.

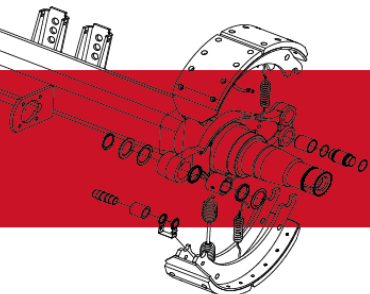
Available in single and twin wheel stud.

External Drum Arrangement

10 spline camshaft. Available in 150mm Square Beam only.

Service manual available on website

Please see following pages for part identification

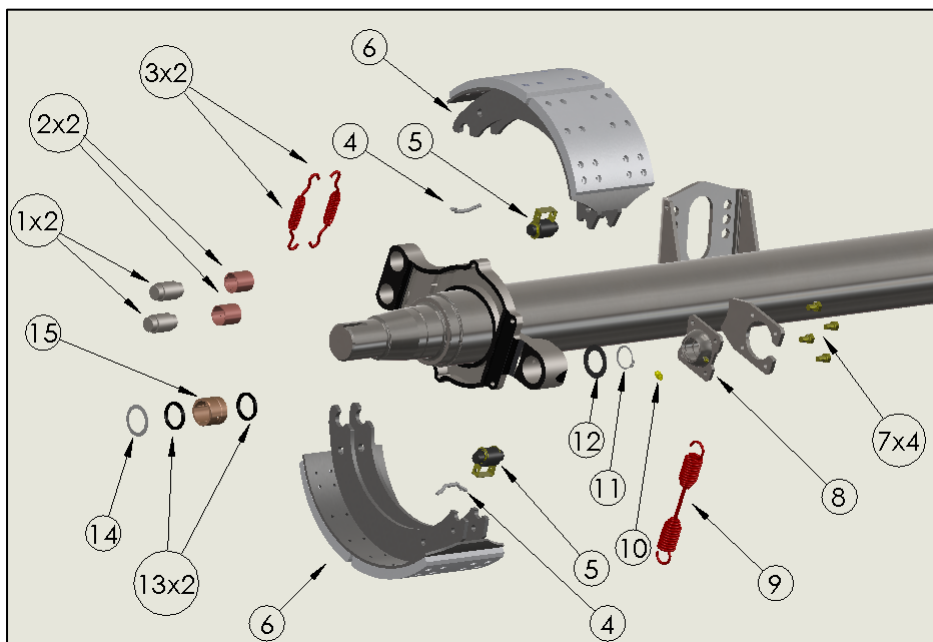




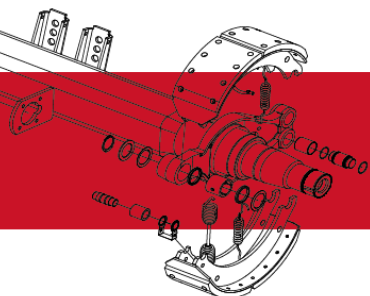
granning

axle and suspension solutions

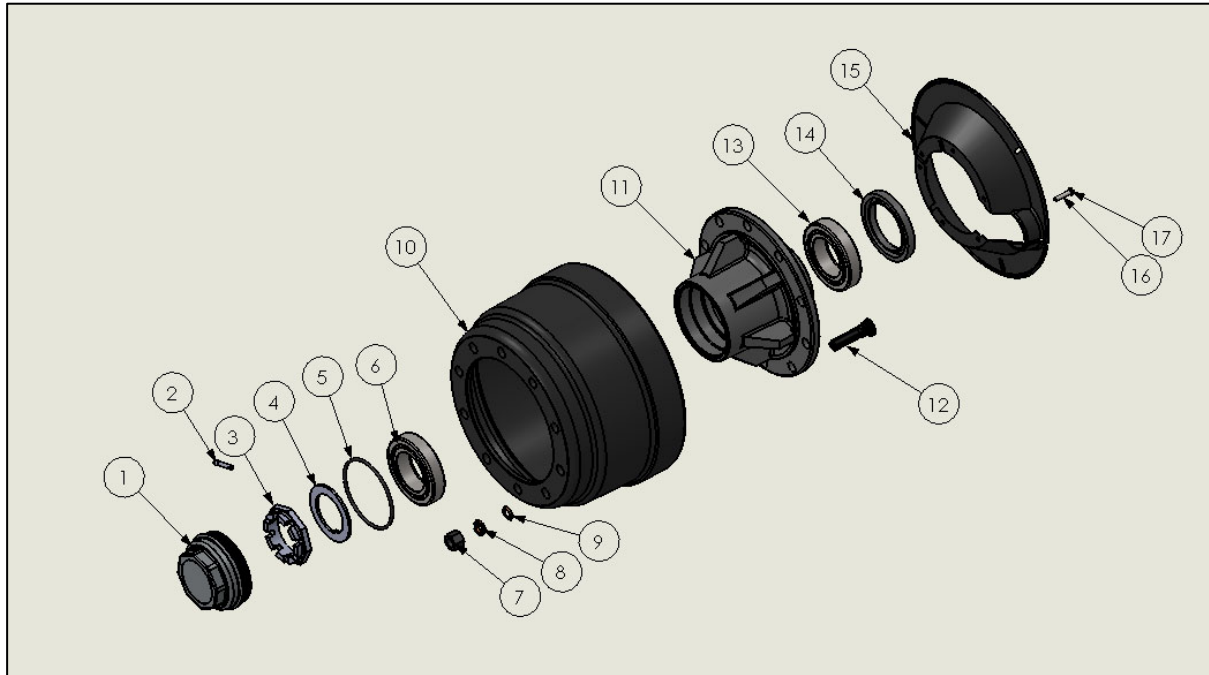
420 x 180 – 980 Series Brake Shoe Assembly



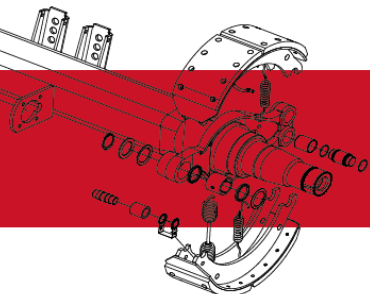
Item	Description	Part No.	QTY per Axle.
1	Anchor Pin	61171	4
2	Anchor Pin Bush	20067	4
3	Brake Shoe Retaining Spring	61141	4
	Brake Shoe Assembly	61157FA	4
(4)	Spring Anchor Bar	61150	4
(5)	Retainer Cam Roller	20064	4
	One Piece Cam Roller	61235	4
(6)	Brake Shoe	61157F	4
7	Hex Bolt M8x30	61831	8
7b	M8 lock nut	61832	8
7c	M8 washer	61833	8
8	Spherical bearing	20080	2
9	Return Spring	61140	2
10	Grease Nipple	61110	2
11	Circlip	61120	2
12	Camshaft 1mm Washer	96365F	2
13	Camshaft Grease Seal	61056	4
14	Camshaft 2mm Washer	61058	2
15	Camshaft Sintered Bush	20110	2
16	Slack adjusters pull off spring	61142	2



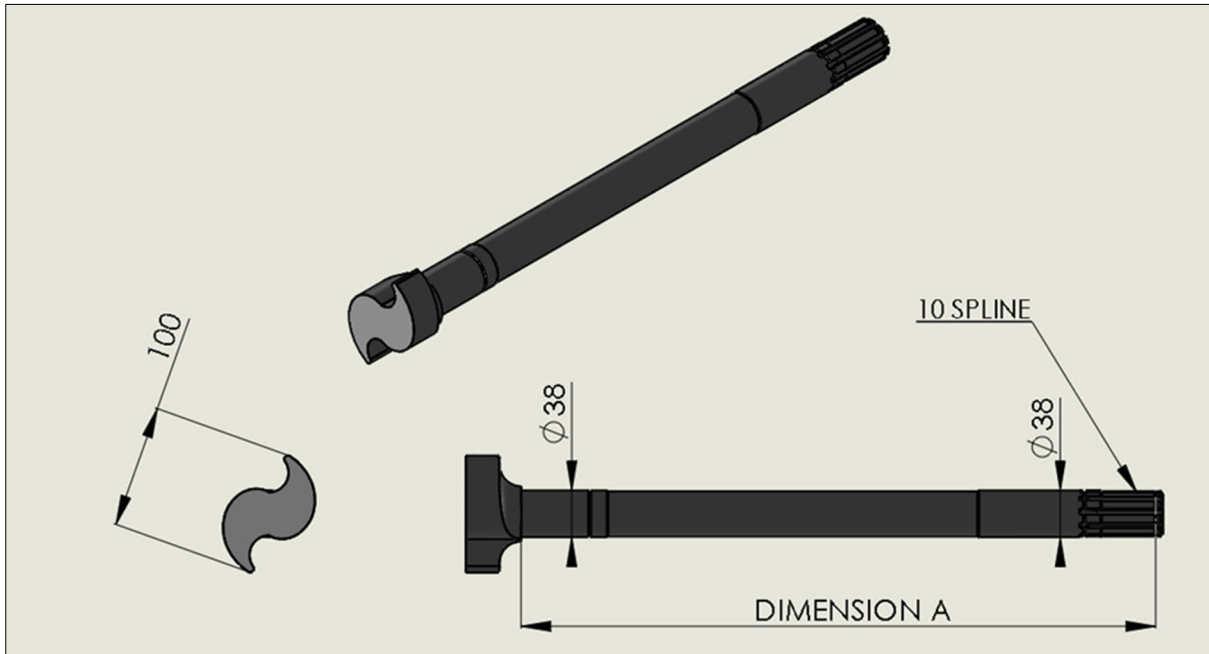
420 x 180 – 980 Series Hub/Drum Assembly **EXTERNAL DRUM**



Item	Description	Part Number	QTY per Axle
1	Hub Cap (G Logo)	20130	2
2	Hub Cap Split Pin	20059	2
3	Spindle Castle Nut	20060	2
4	Spindle Washer	20058	2
5	Hub Cap Seal	20001	2
6	Outer Bearing (HM518410/445)	20002	2
7.1	ISO Wheel Nut	61381Z	20
7.2	DIN Wheel Nut	61383	20
8	DIN Nut outer washer	61372	20
9	DIN Nut inner washer	61371	20
10	External Drum	20008	2
11	Hub	20122	2
12.1	Wheel Bolt – Single (82mm)	20201	20
12.2	Wheel Bolt – Twin (94mm)	20200	20
13	Inner Bearing (HM220149/110)	20124	2
14	Hub Seal	20123	2
15	Dust Cover	61390F	2
16	Dust Cover Washer	20016	12
17	Dust Cover Bolt (M8)	61358F	12
18	Dust cover -plug	61556	4



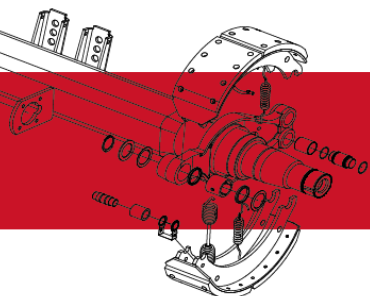
420 x 180 – 980 Series 10 Spline Camshaft Parts List



Dimension A	Part No.
700mm – Left Hand Large Head	61629
700mm – Right Hand Large Head	61628
212mm – Left Hand Large Head	61061
212mm – Right Hand Large Head	61071
519mm – Left Hand Large Head	61065
519mm – Right Hand Large Head	61075
680mm – Left Hand Large Head	61151
680mm – Right Hand Large Head	61152
189mm – Left Hand Large Head	61127
189mm – Right Hand Large Head	61147
250mm – Left Hand Large Head	61138
250mm – Right Hand Large Head	61148

Camshaft lengths are measured from under head to the Centre of last circlip groove.

The illustrated camshaft is a left hand camshaft. When looking at the head of the camshaft a right hand cam is Z shaped and a left hand is S shaped.

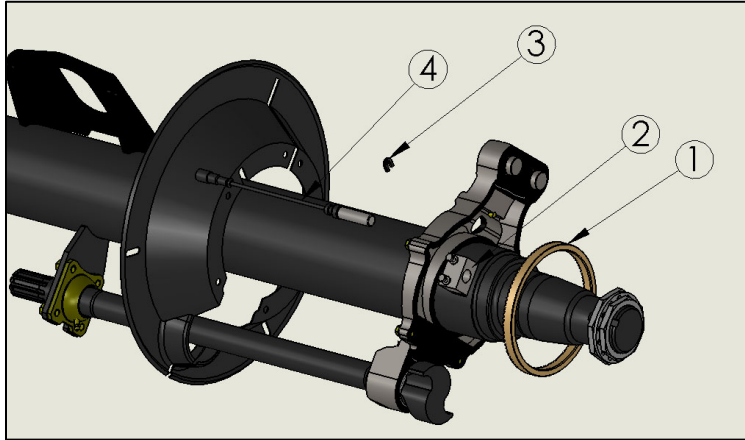




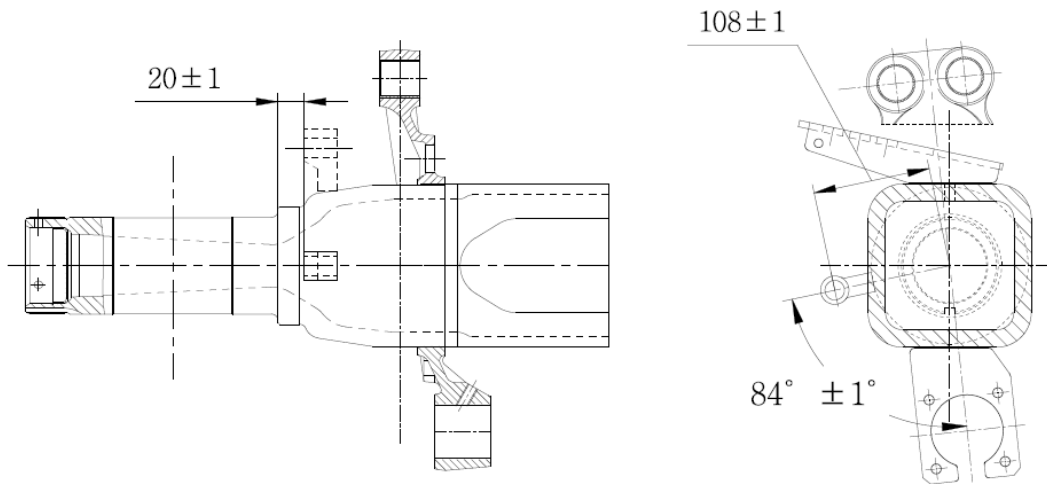
granning

axle and suspension solutions

ABS/Anti-Lock Assembly



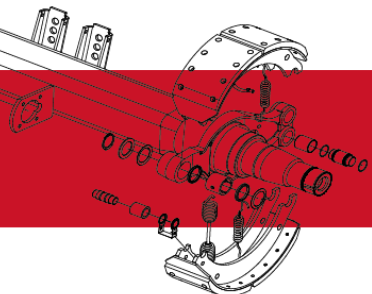
Item	Description	Part No.
1	Pole Wheel (100 tooth)	20126
2	Sensor Block	20125
3	Dust Cover Grommet	61557
4	Single Sensor Lead Kit (Sensor/Bush/Paste)	61790F



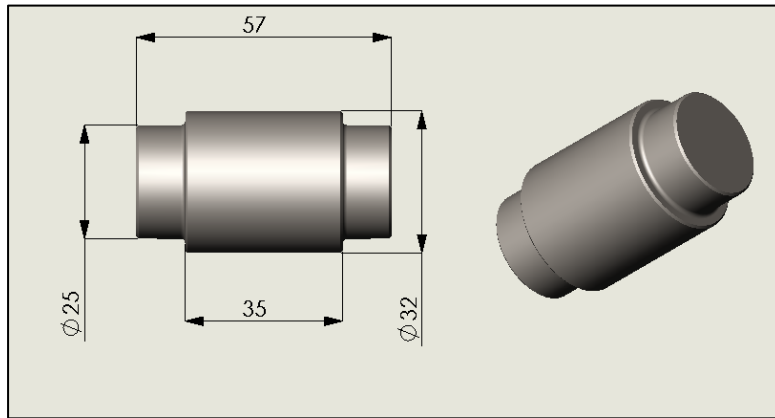
ABS sensor at 216mm PCD

Face of sensor block 20mm from large bearing shoulder

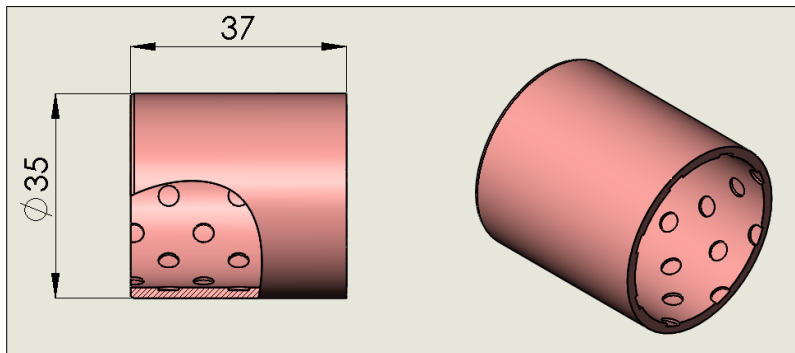
ABS Block welded 84Degrees from the camshaft axle center line. After fitting ABS sensor check the sensor is working properly.



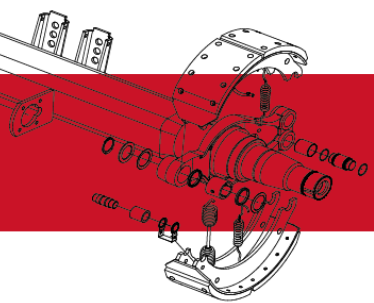
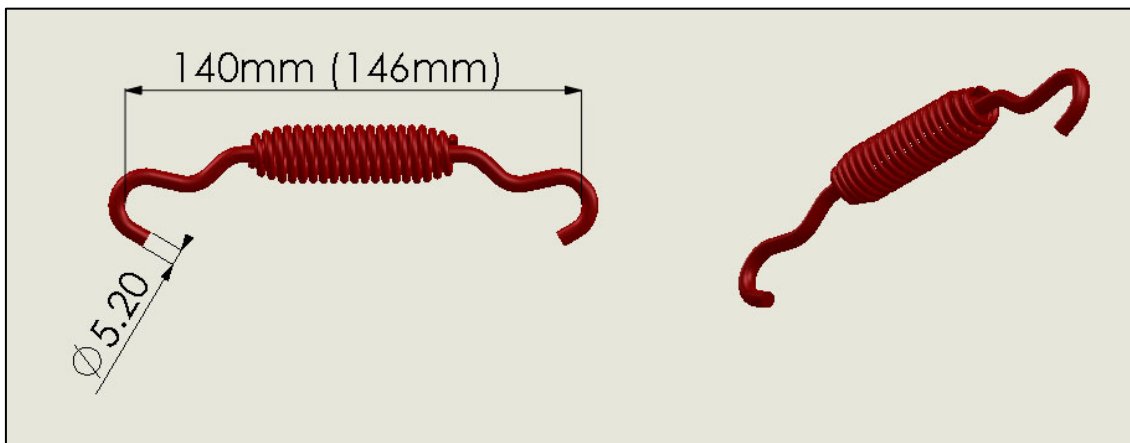
61171 – Anchor pin



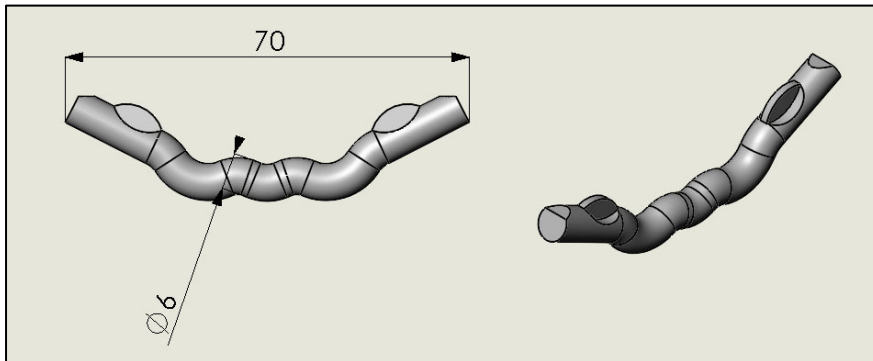
20067 (61200B) – Bush Anchor Pin



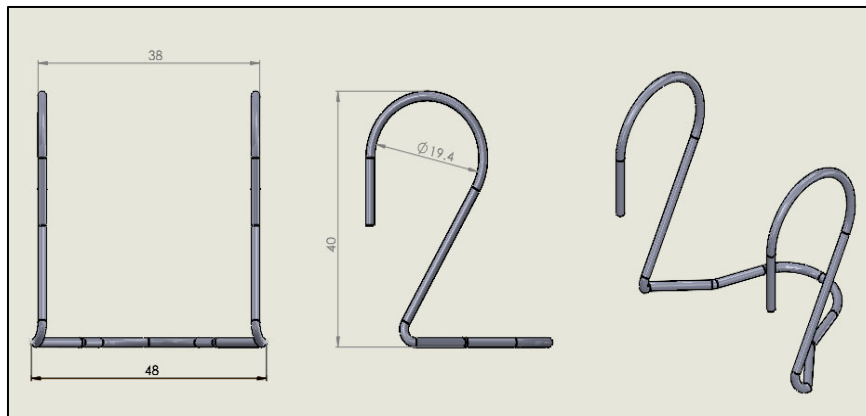
61141 – Brake Shoe Retaining Spring



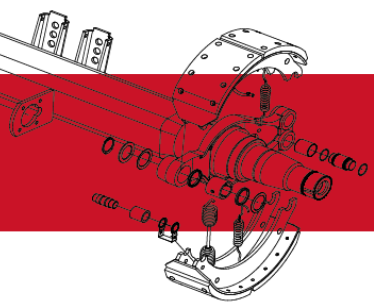
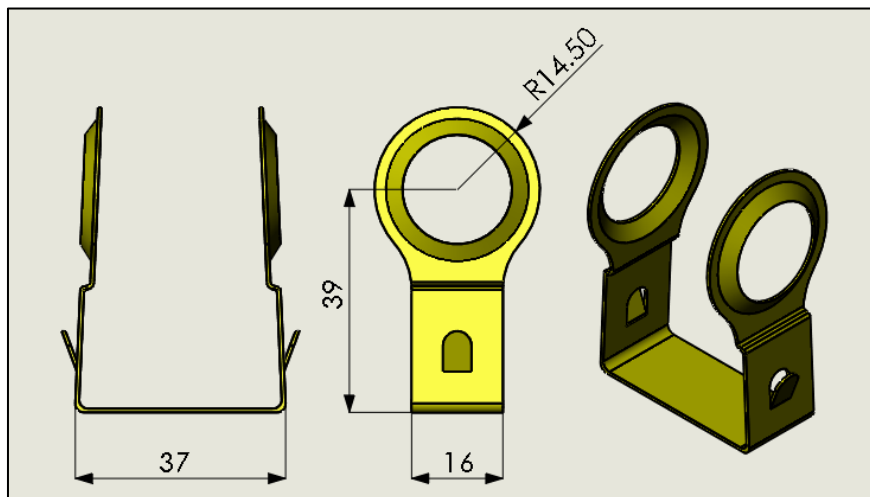
61150 – Spring Anchor Bar



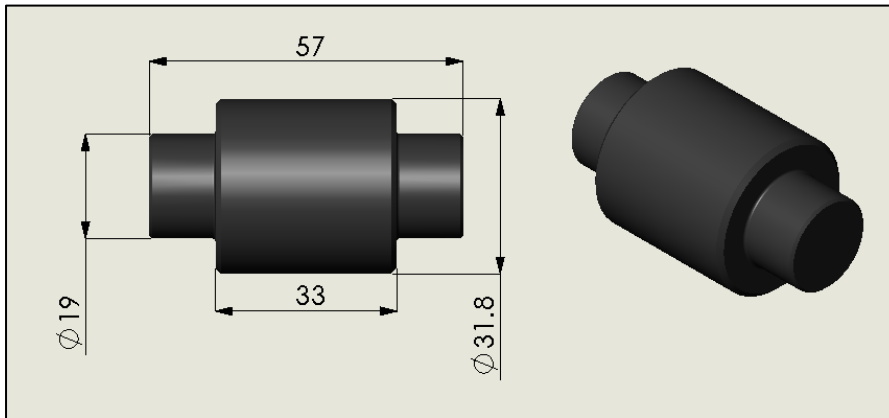
20064 – Retainer Cam Roller



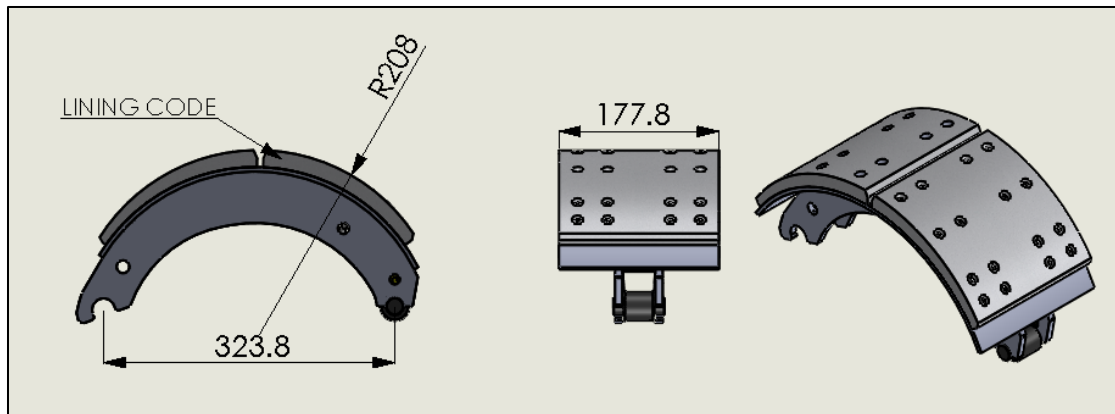
61220 – (Alternate to 20064) - Retainer Cam Roller



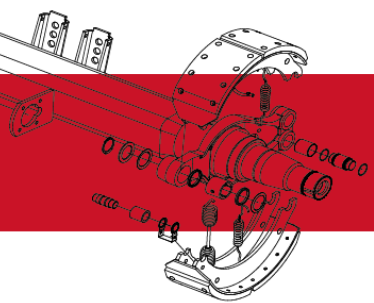
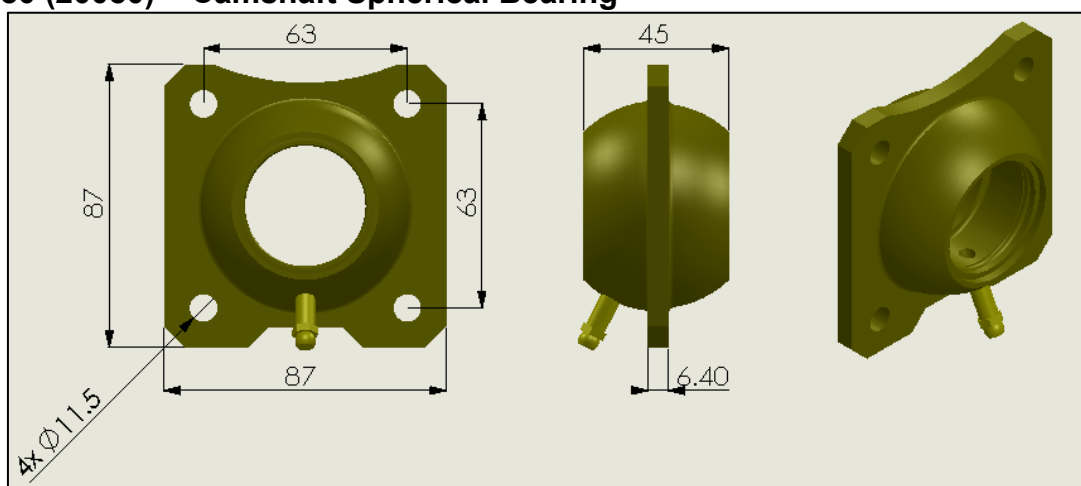
61235 – One Piece Cam Roller



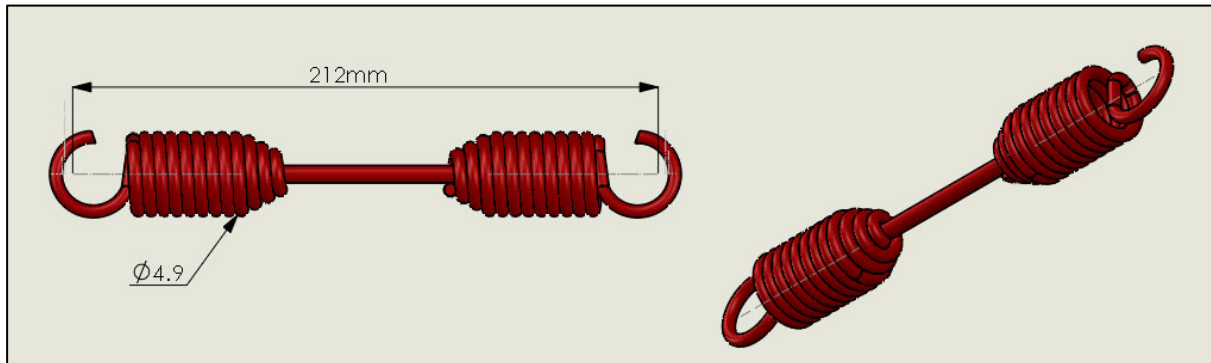
61157FA – Brake shoe with spring anchor bar and cam roller



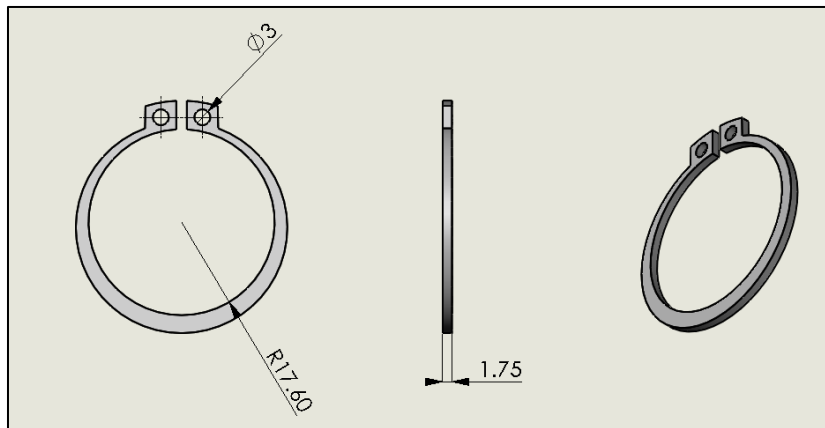
61080 (20080) – Camshaft Spherical Bearing



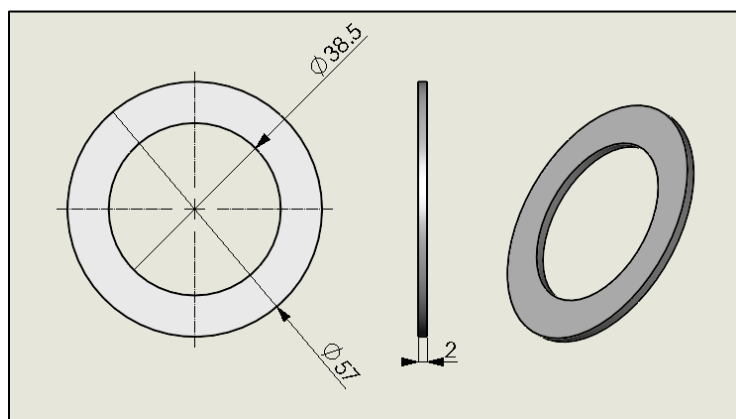
61140 – Spring Return



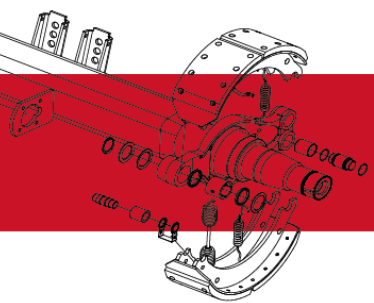
61120 - Circlip

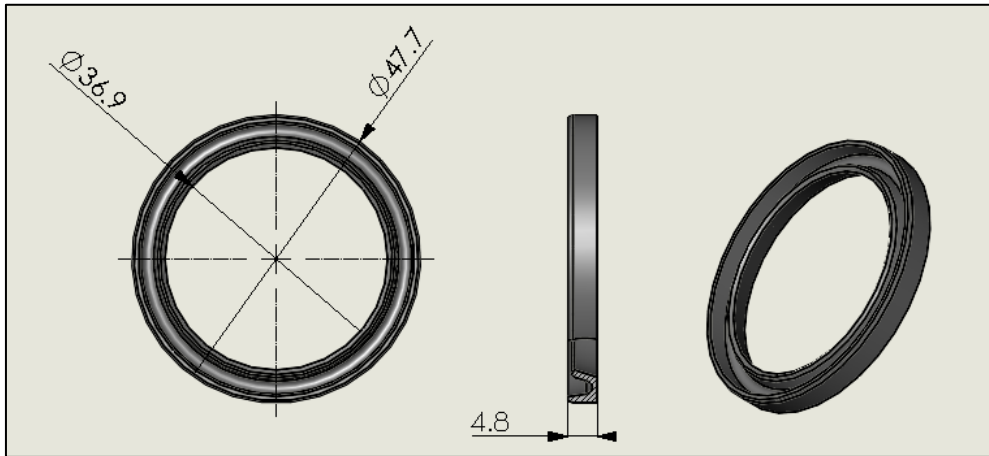


61058 - Camshaft Support Washer

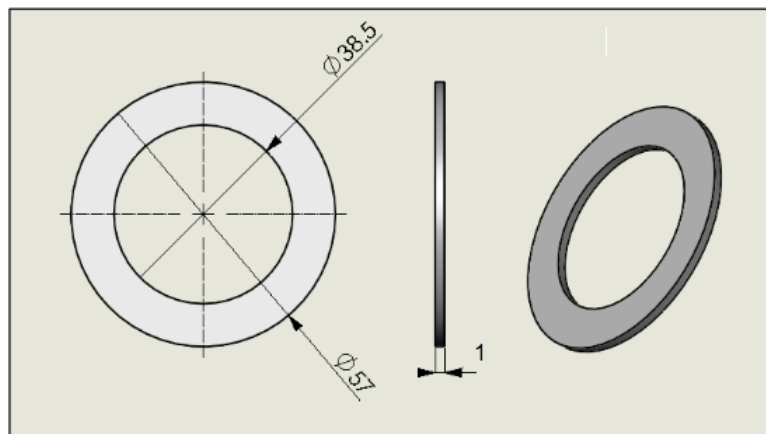


61056 - Camshaft Grease Seal

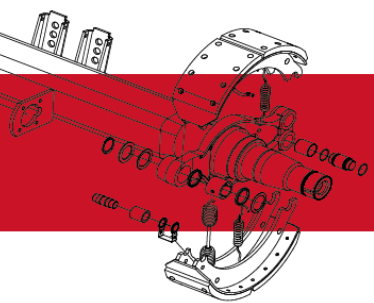
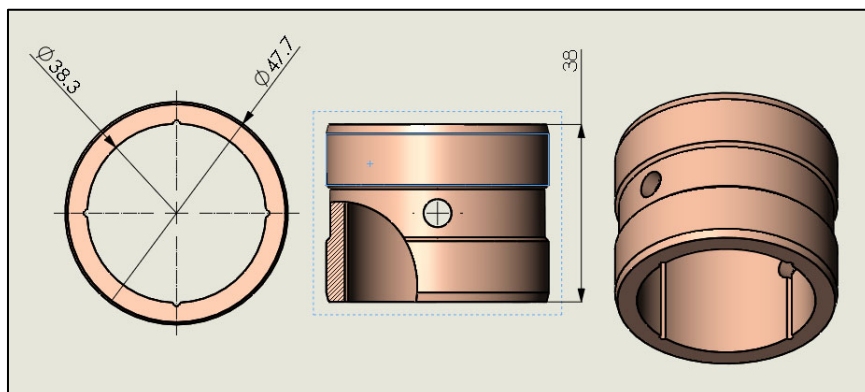




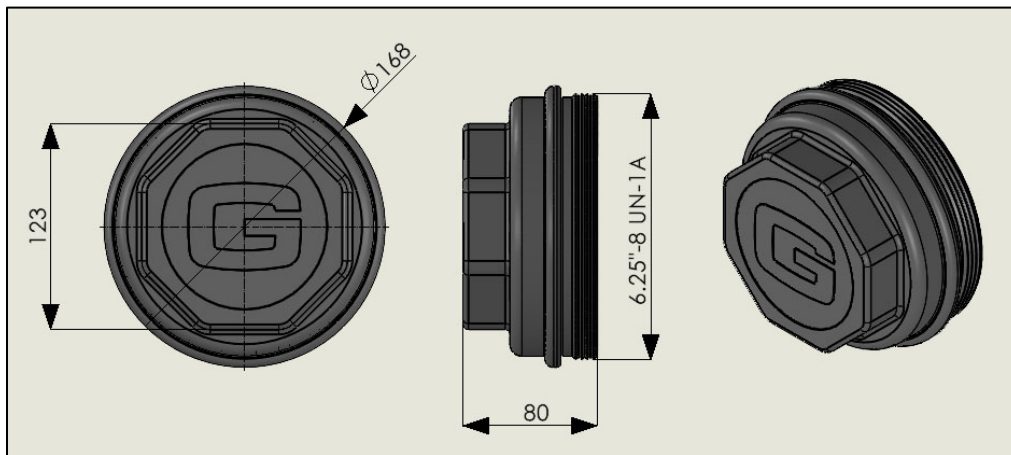
96365F – Camshaft 1mm Washer



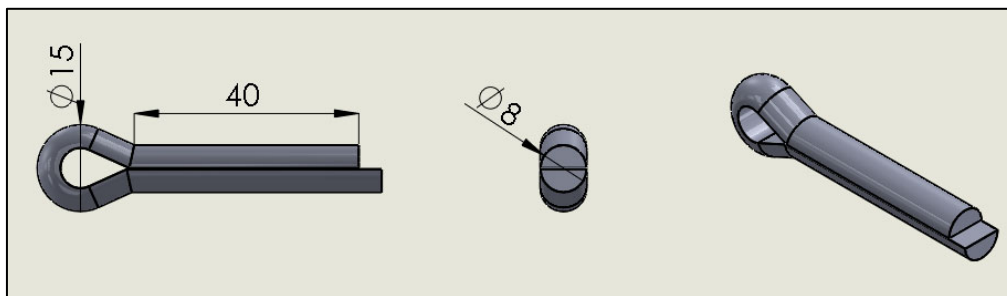
20110 – Camshaft Sintered Bush



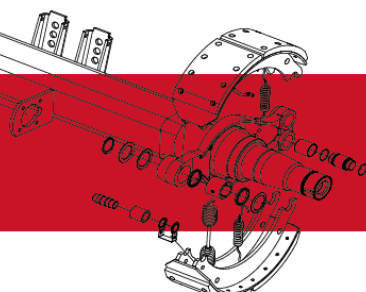
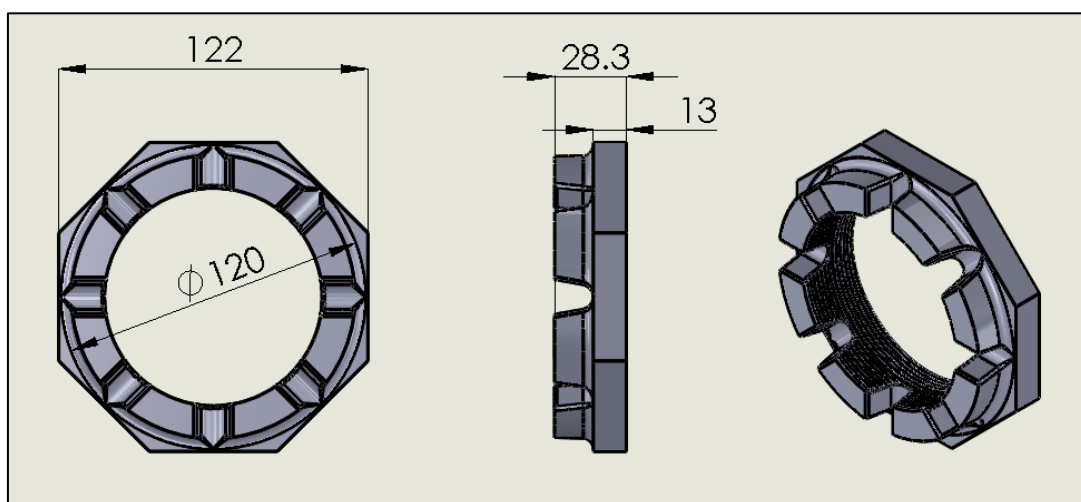
20130 – Hub Cap Pressing (G Logo)



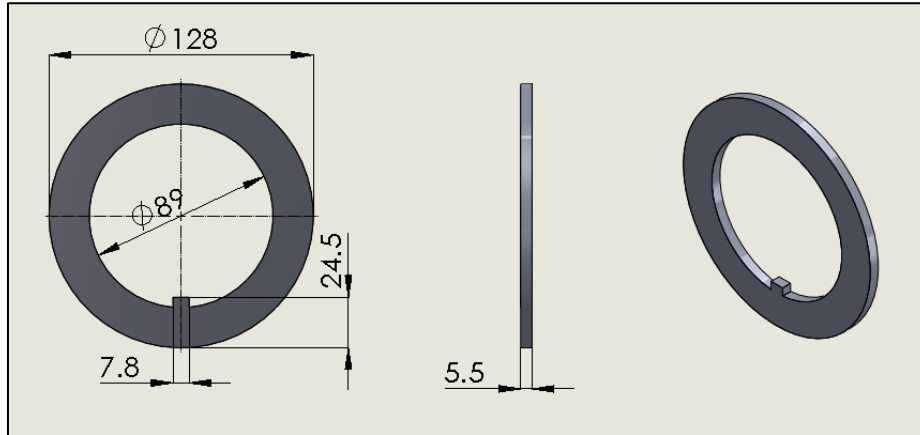
20059 – Spindle Split Pin



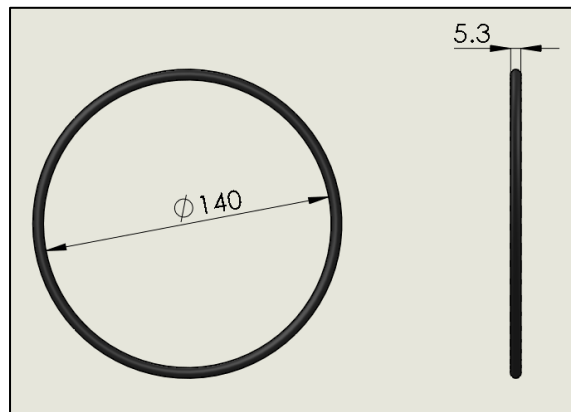
20060 – Spindle Castle Nut



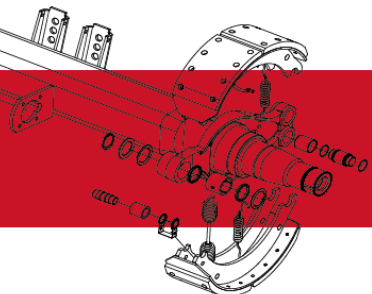
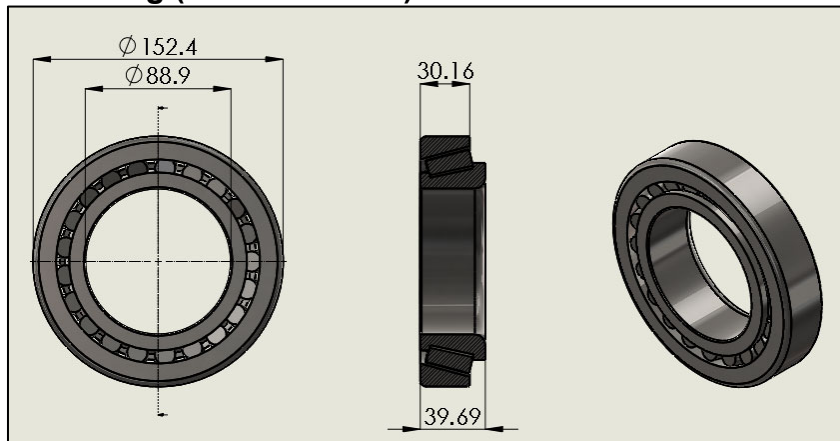
20058 – Spindle Washer



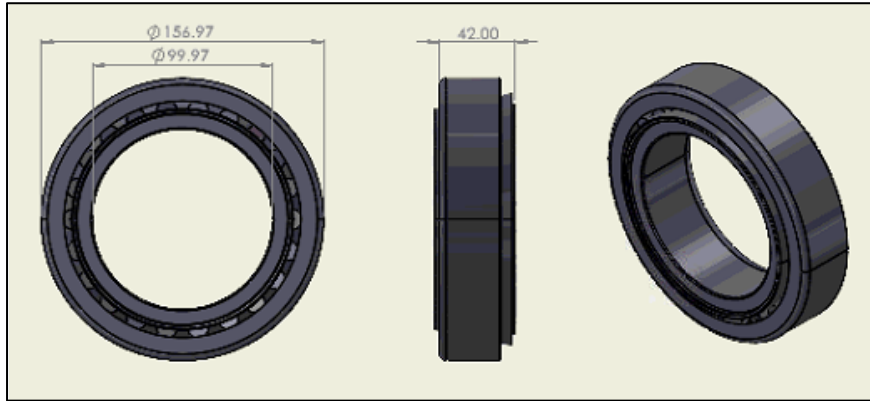
20001 – Hub Cap Seal



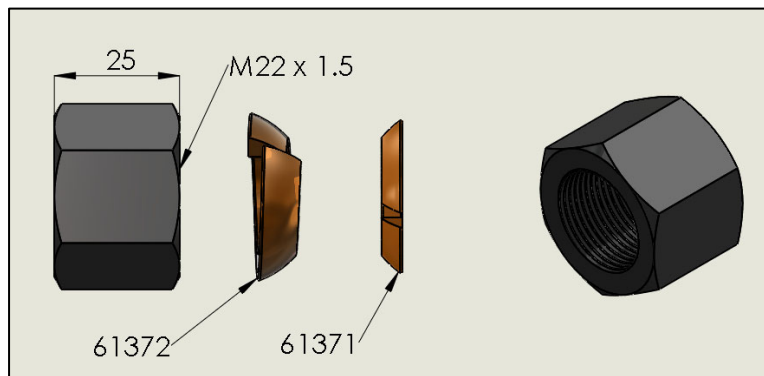
20002 – Outer Bearing (HM518410/445)



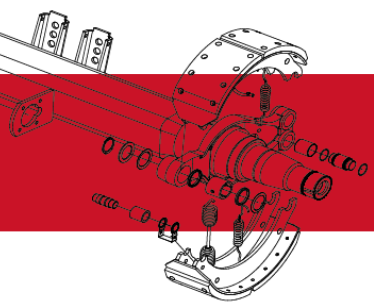
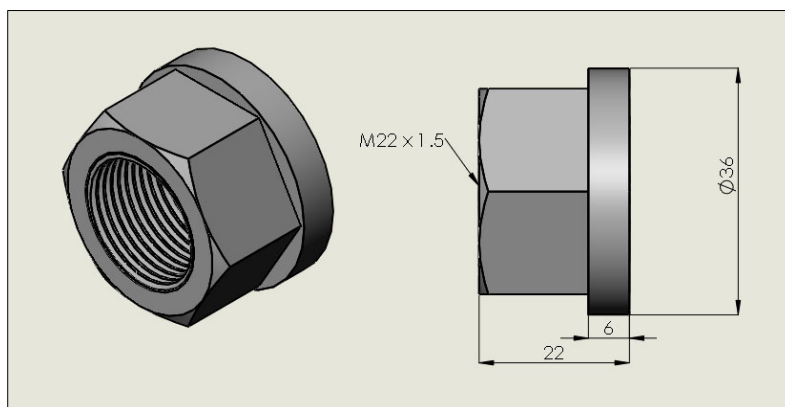
20124 – Inner Bearing (HM220149/110)



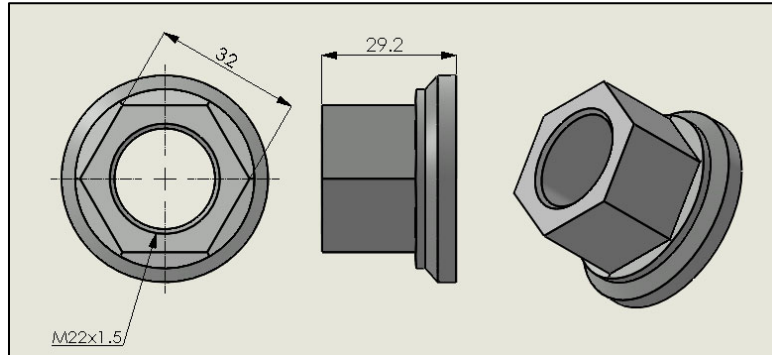
61383- M22 DIN Wheel Nut + Washers (61372 & 61371)



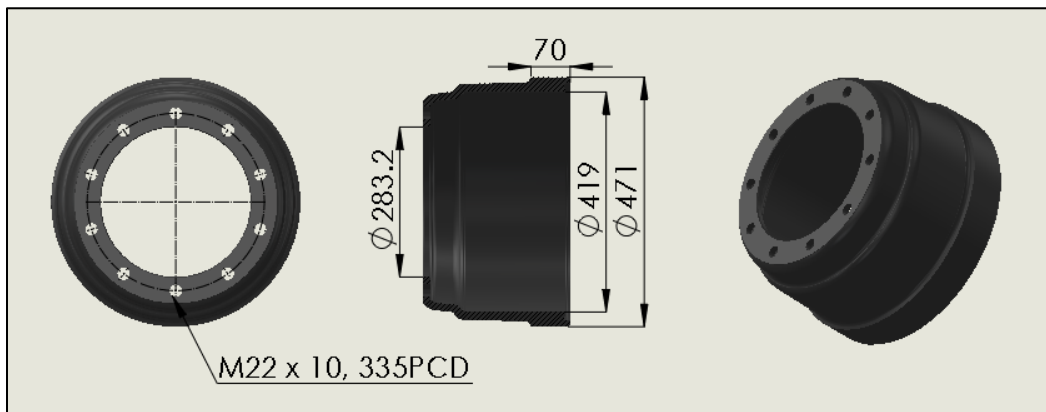
61411- M22 DIN Wheel Nut



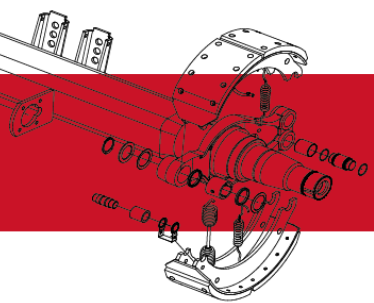
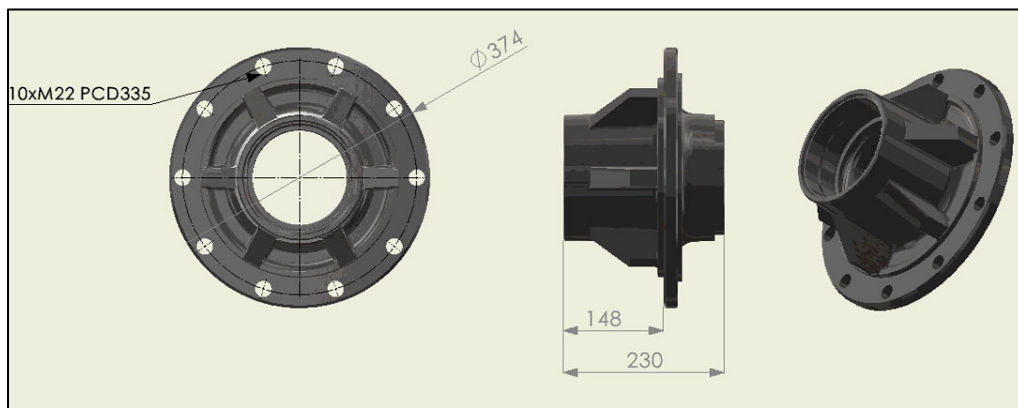
61381Z- M22 ISO Wheel Nut



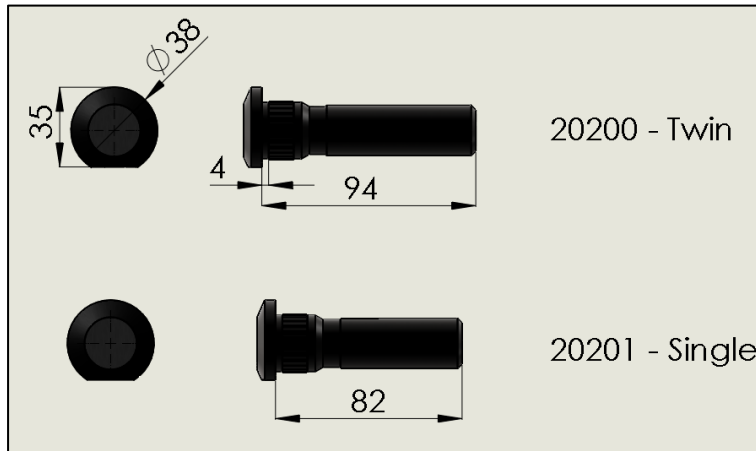
20008 –Drum EXTERNAL DRUM



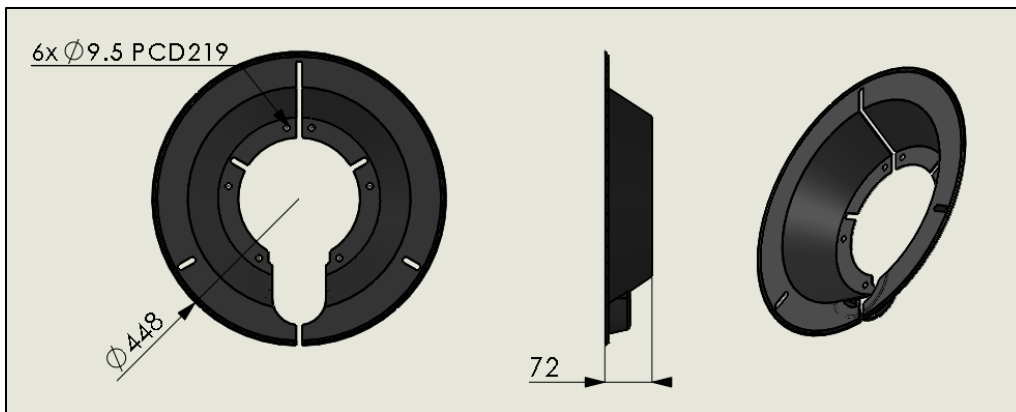
20122 –Hub EXTERNAL DRUM



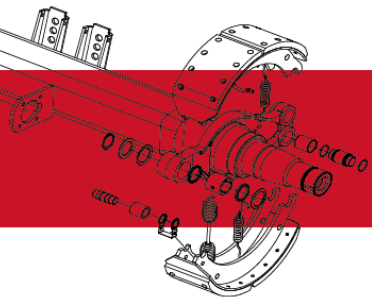
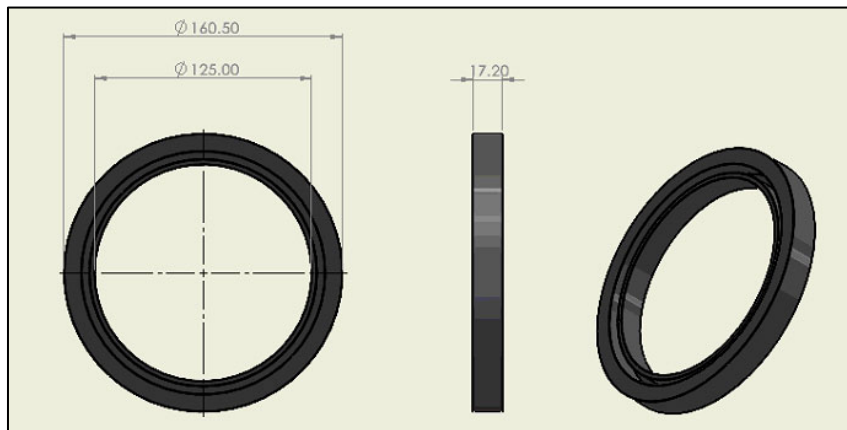
Wheel Bolt **EXTERNAL DRUM**

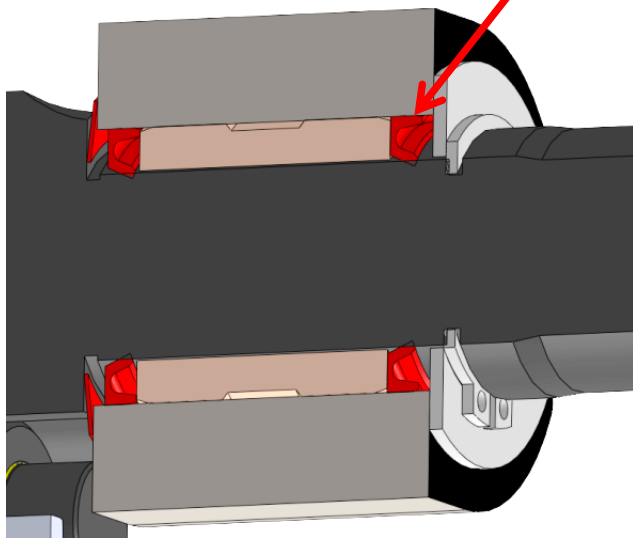
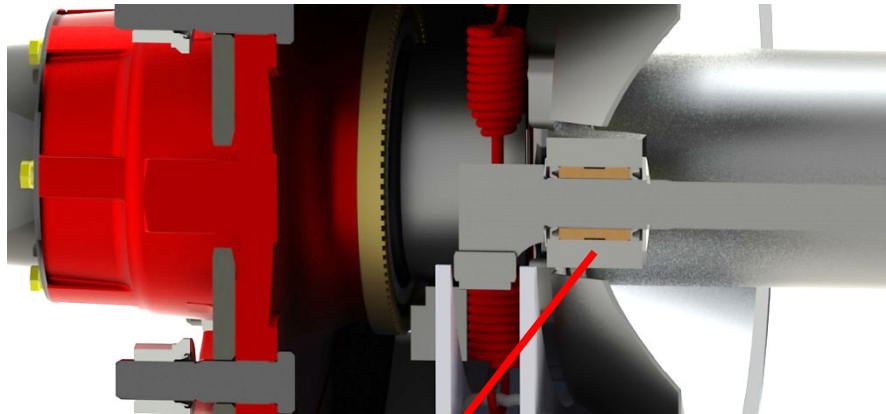


Dust Cover **61390F EXTERNAL DRUM**



20123 – Hub Seal





The direction of the grease seals in the anchor bracket is important as well as the position of the beveled washer between the anchor bracket and camshaft head.

Please use the axle manual for more information or contact Granning on any queries.

We reserve the right to make changes to specifications or to make improvements to the products in this catalogue without prior notice. We are not responsible for inaccuracies or omissions.

