

420X 200 – 500B SERIES AXLE



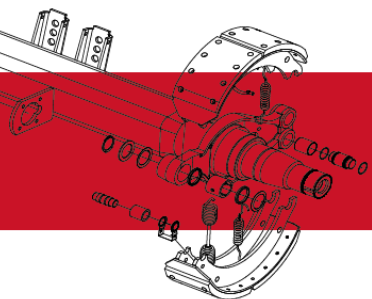
335mm PCD, 10 stud M24 hub and drum. 281mm hub pilot.

Available in single and twin wheel stud.

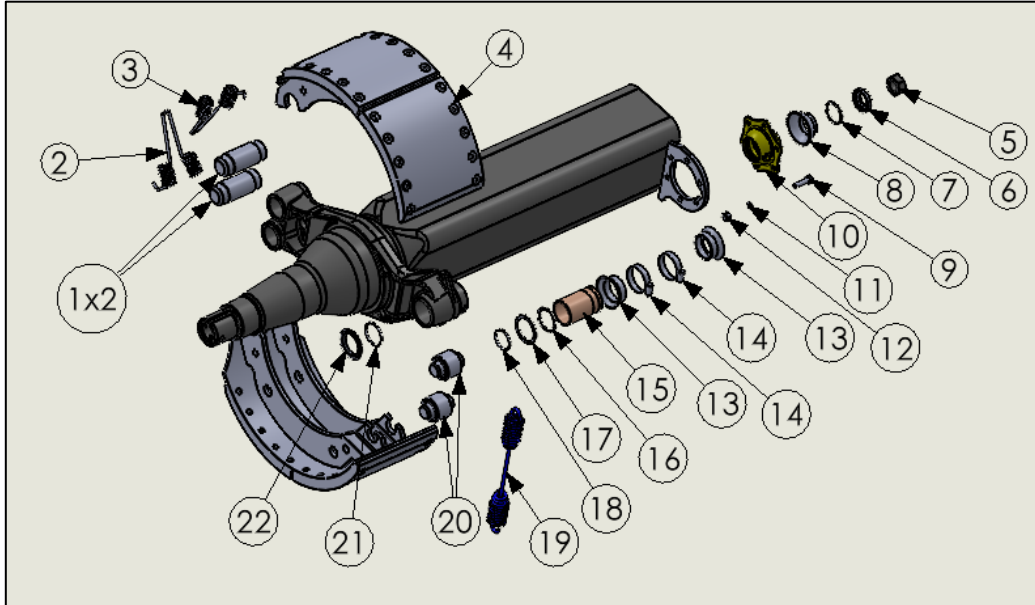
10 spline camshaft. 150mm Square Beam.

Service manual available on website

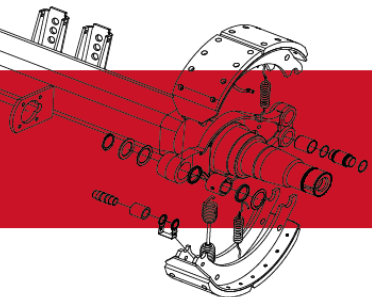
Please see following pages for part identification

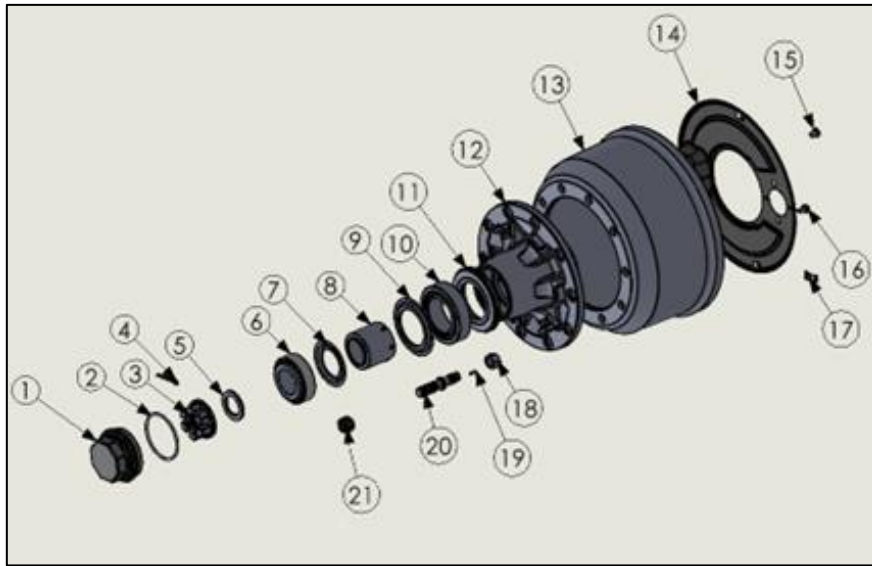


420 x 200 – 500B Series Brake Shoe Assembly

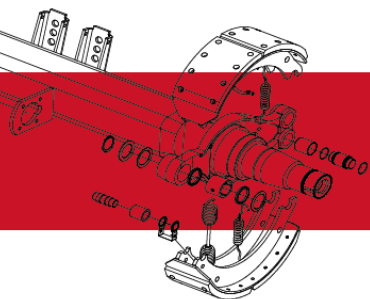


Item	Description	Part No.	QTY per Axle.
1	Anchor Pin	62136	4
2	Brake Retaining Spring (Loop)	62121	2
3	Brake Retaining Spring (Hook)	62120	2
4	Brake Shoe Assembly	61813	4
5	Camshaft nut	62105	2
6	Camshaft nut cover	62144	2
7	Camshaft snap ring	61811	2
8	Spherical bearing dust shield	62151	2
9	Hex Bolt M8x30	61831	12
10	Spherical Bearing	61810	2
11	Spherical Bearing Washer	61833	12
12	Spherical Bearing Nut	61832	12
13	Camshaft Dust Shield	61808	4
14	Jubilee clip	61809	4
15	Camshaft Bushing	61829	2
16	Camshaft Circlip	61807	2
17	Camshaft Washer	61806	2
18	Camshaft Dia 37 O Ring	61830	2
19	Brake Shoe Return Spring	62122	2
20	Anchor Pin	62123	4
21	Camshaft Dia 41.6 O Ring	61828	2
22	Camshaft D Washer	61805	2

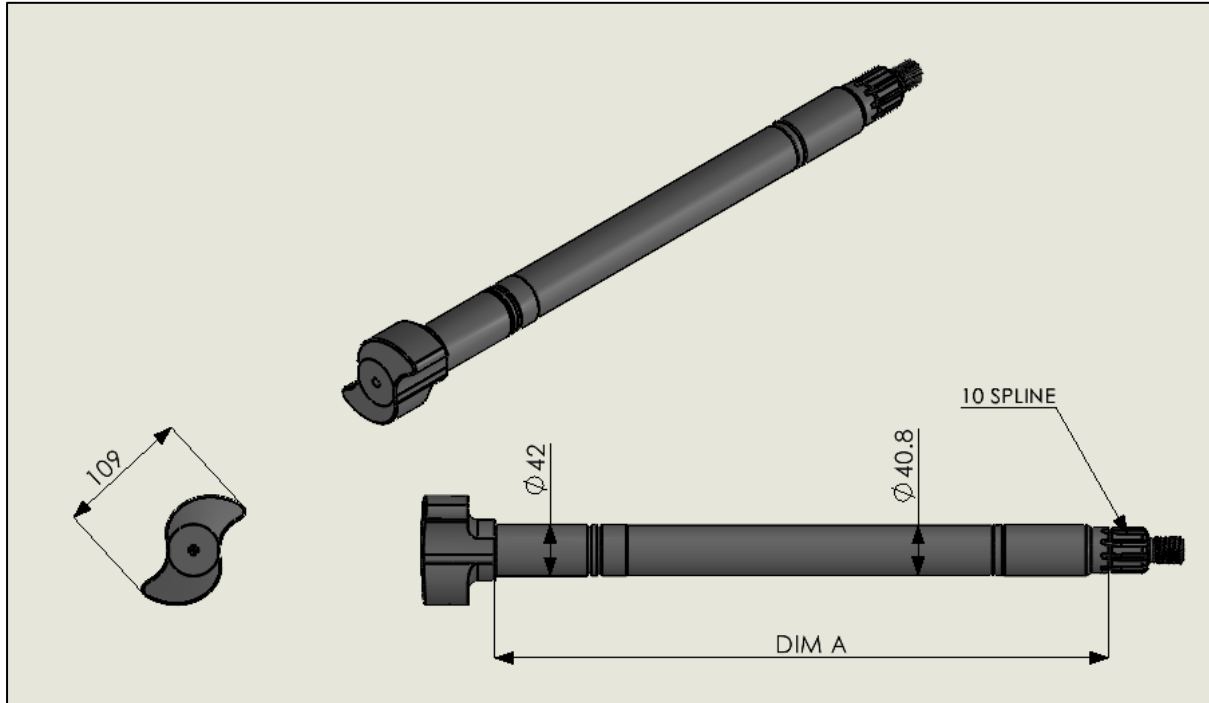




Item	Description	Part Number	QTY per Axle
1	Hub Cap	61824	2
2	Hub Cap Seal	20001	2
3	Spindle Castle Nut	61820	2
4	Split Pin	61821	2
5	Spindle Washer	61819	2
6	Outer Bearing 32314	97639	2
7	Hub Baffle Outer	61836	2
8	Hub Baffle Cylinder	61835	2
9	Hub Baffle Inner	61816	2
10	Inner Bearing 32222	97638	2
11	Hub Seal	61818	2
12	Hub	61814	2
13	Drum	97645	2
14	Dust Cover LHS	61825	2
	Dust Cover RHS	61827	2
15	Dust Cover Plug	62143	2
16	Dust Cover Bolt	62137	8
17	Dust Cover View Plug	61843	6
18	Internal Wheel Bolt Nut	20100	20
19	Wheel Stud Pin	61834	20
20	Wheel Stud M24x125mm	97642	20
21	ISO Wheel Nut M24	97643	20



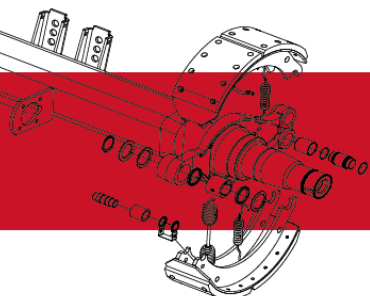
420 x 180 – 250 Series 10 Spline Camshaft Parts List



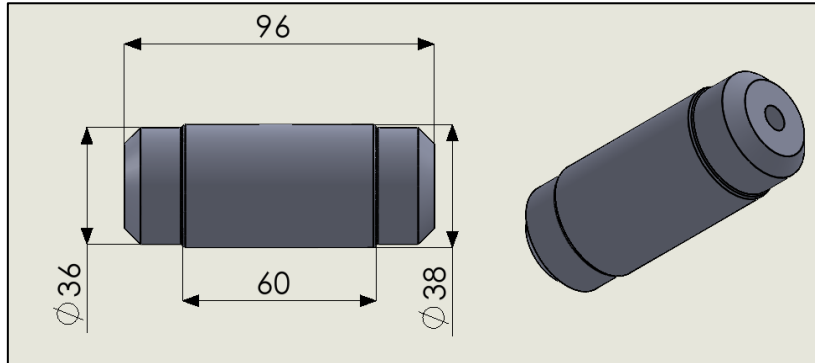
Dimension A	Part No.
641mm – Left Hand Large Head	61803
641mm – Right Hand Large Head	61804

Camshaft lengths are measured from under head to the Centre of last circlip groove.

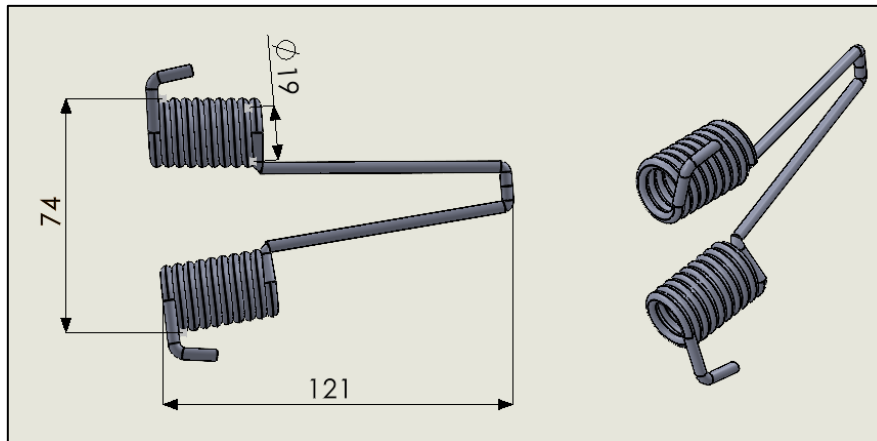
The illustrated camshaft is a left hand camshaft. When looking at the head of the camshaft a right hand cam is Z shaped and a left hand is S shaped.



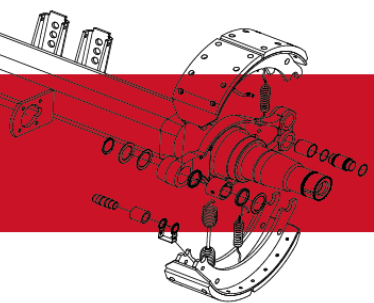
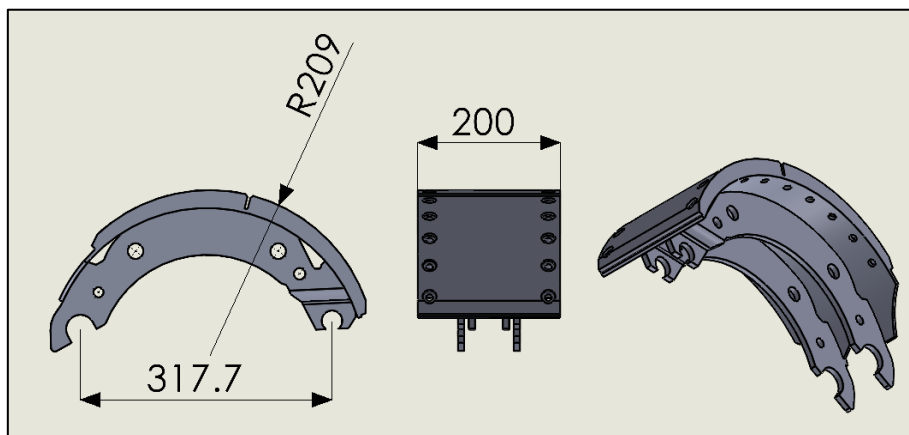
62136 – Anchor Pin



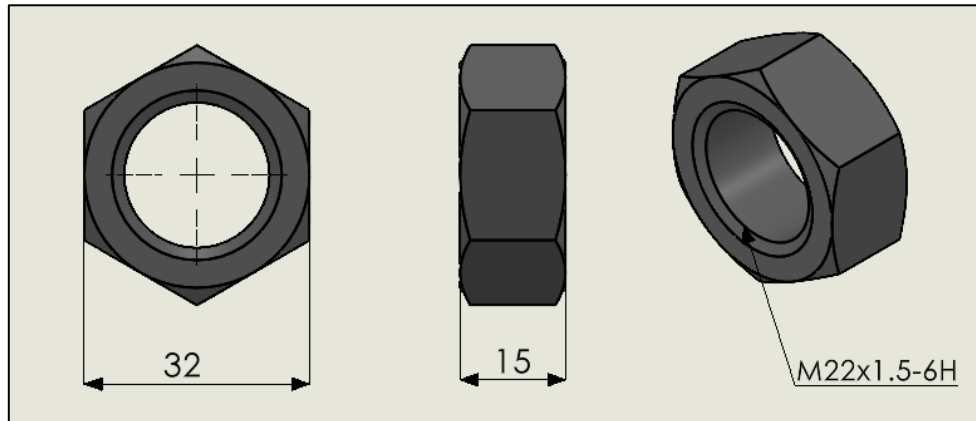
62121 Brake Retaining Spring (Loop), 62120 Brake Retaining Spring (Hook)



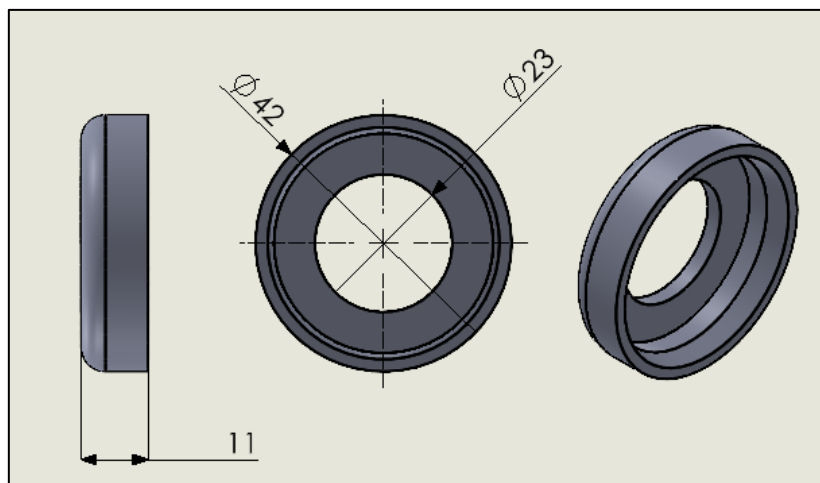
61813 – Brake Shoe Assembly



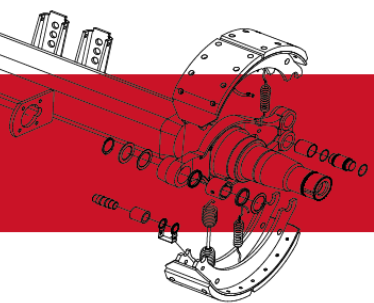
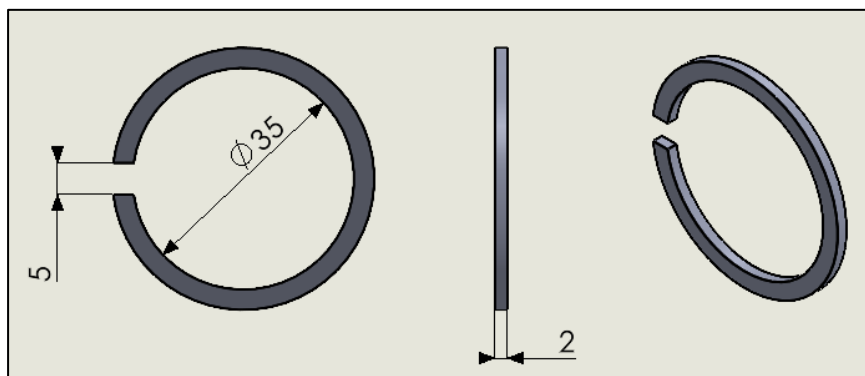
62105 – Camshaft Nut



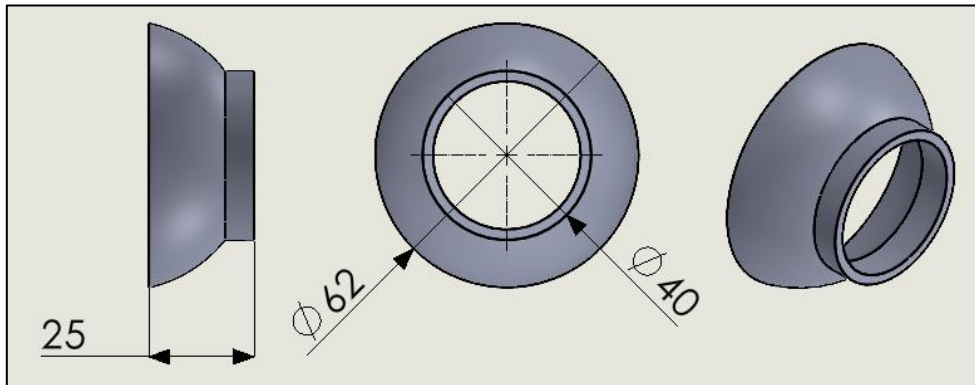
62144 – Camshaft Nut Cover



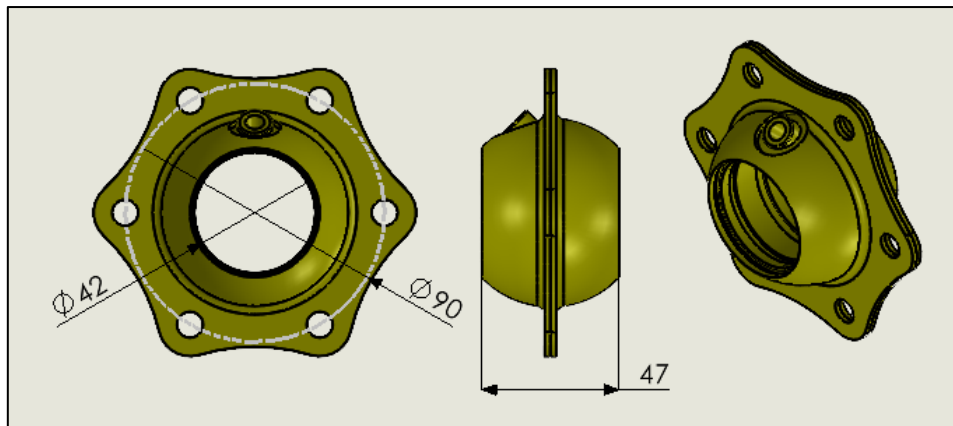
61811 – Retainer Cam Roller



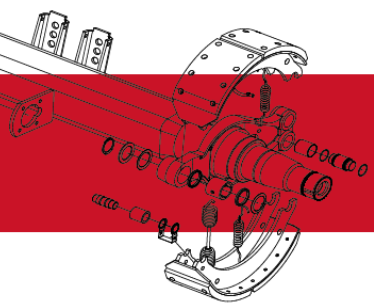
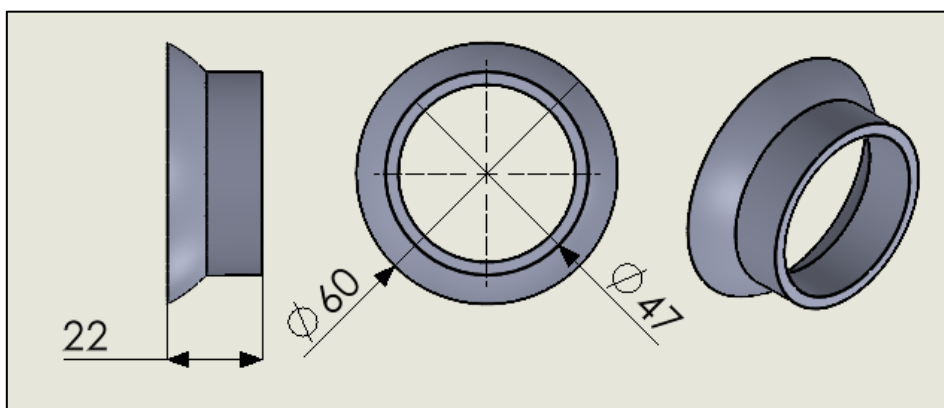
62151 – Spherical Bearing Dust Shield



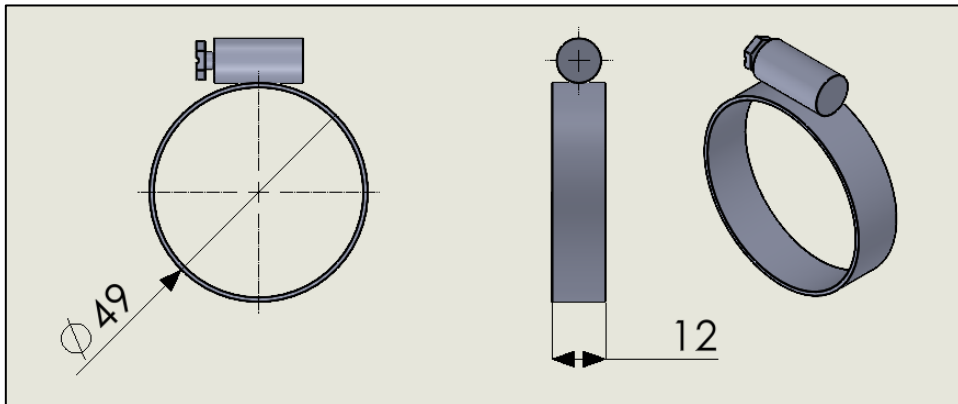
61810 – Spherical Bearing



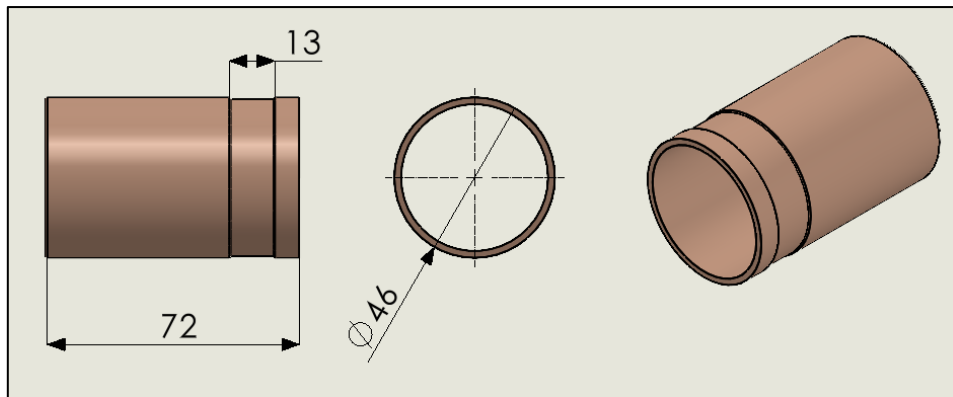
61808 – Camshaft Dust Shield



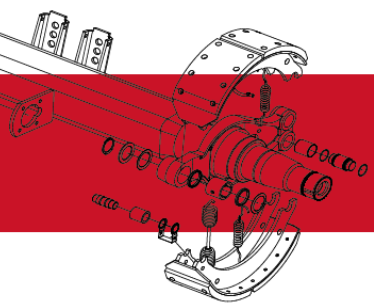
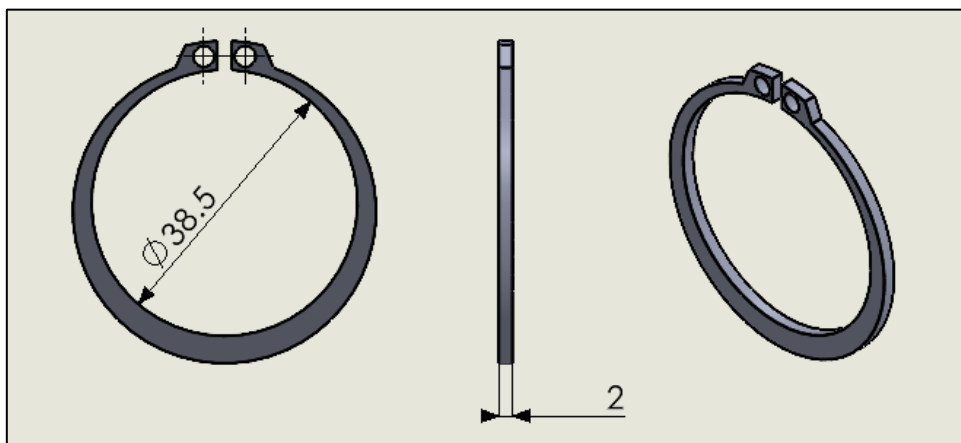
61809 – Jubilee Clip



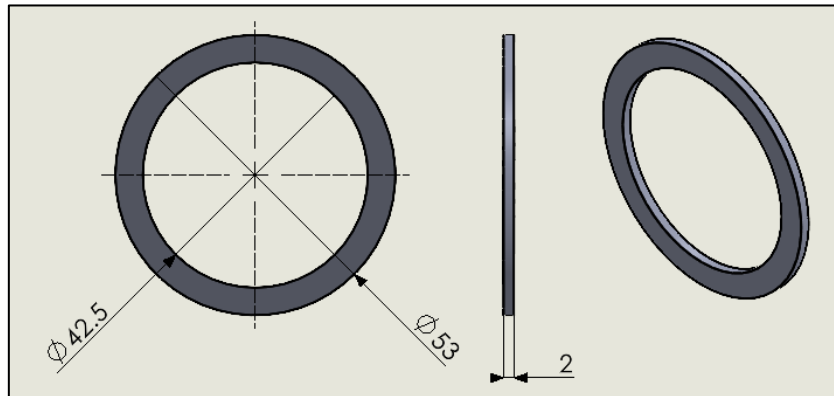
61829 – Camshaft Bushing



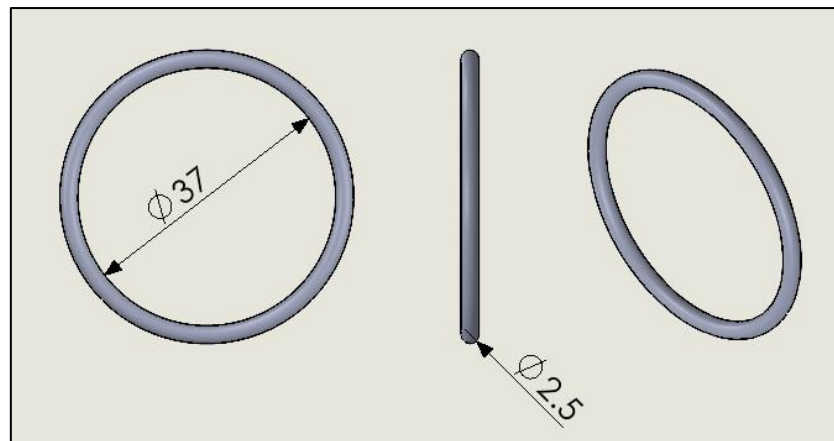
61807 - Camshaft Circlip



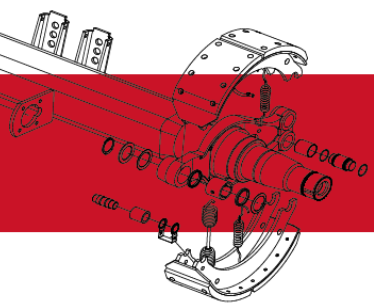
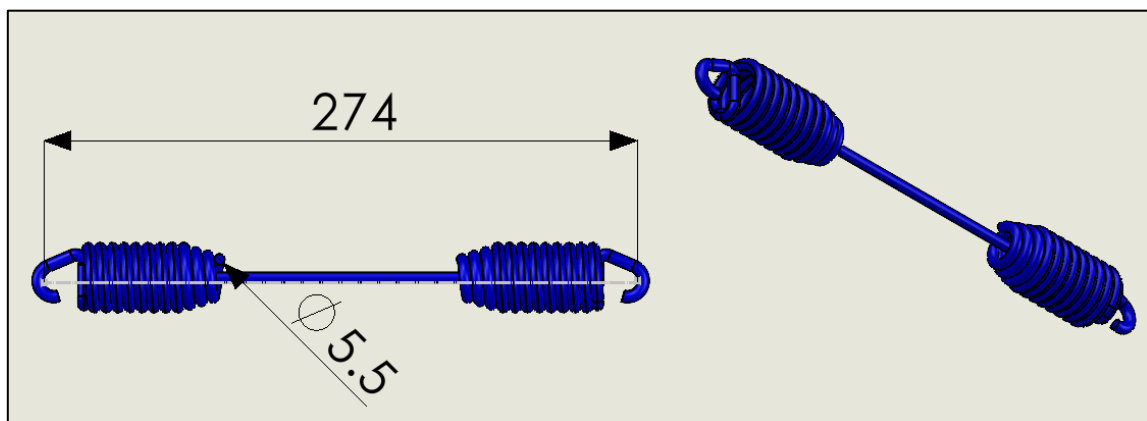
61806 - Camshaft Washer



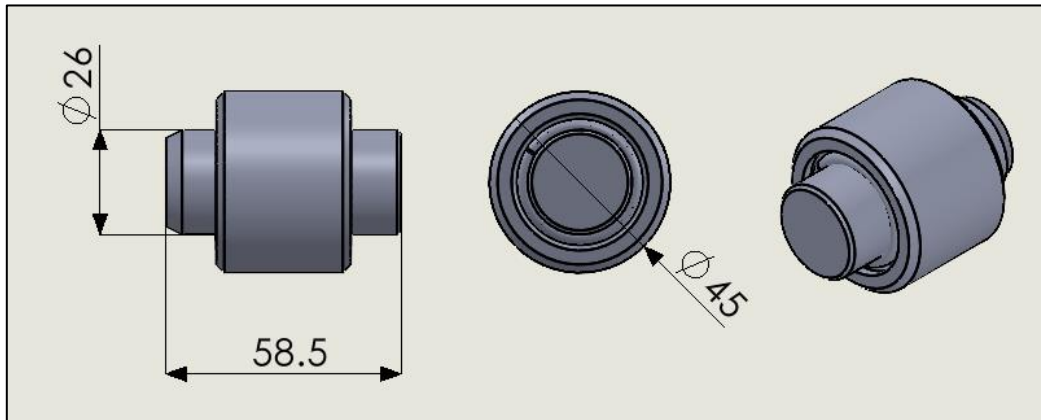
61830 - Camshaft Dia 37 O Ring



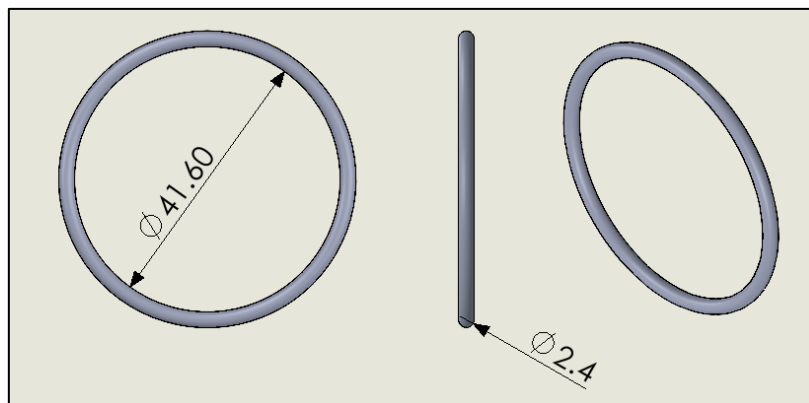
62122 - Brake Shoe Return Spring



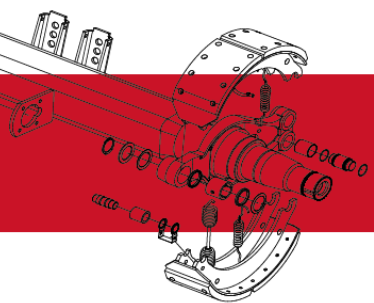
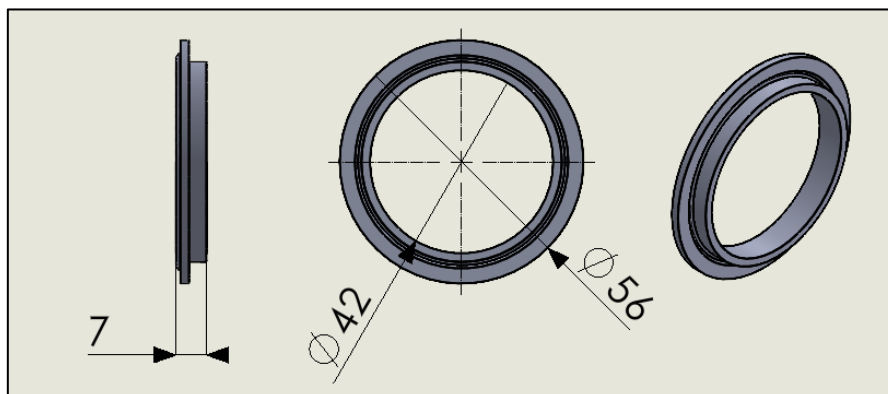
62123 – Cam Roller



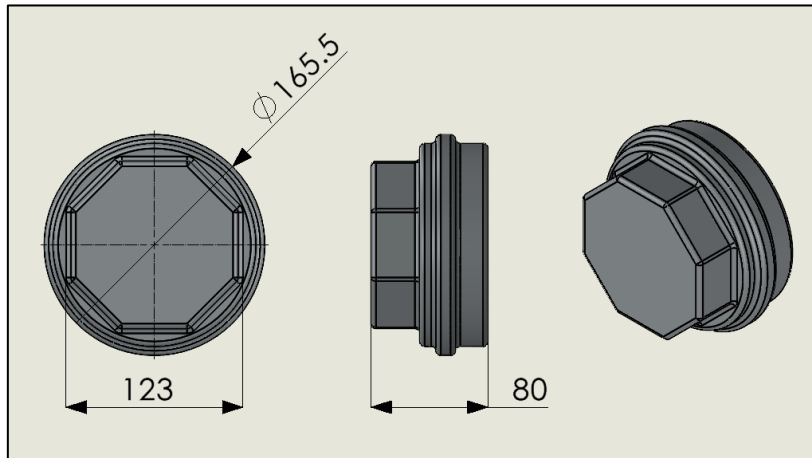
61828 – Camshaft Dia 41.6 O Ring



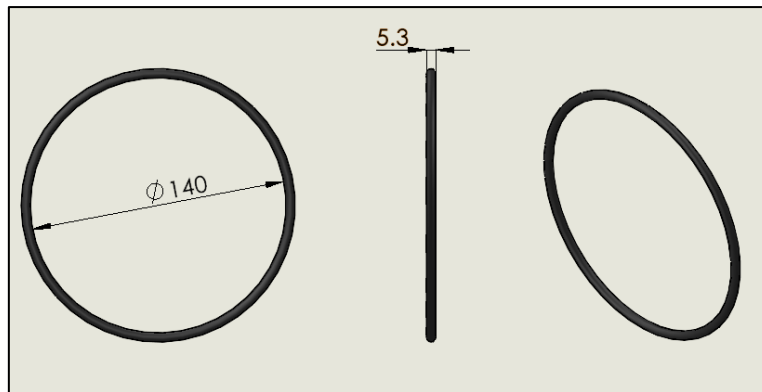
61805 – Camshaft D Washer



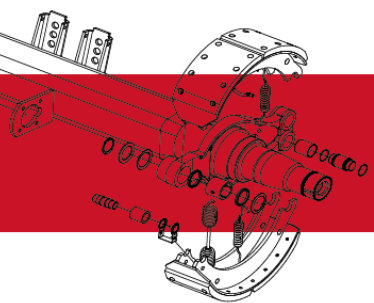
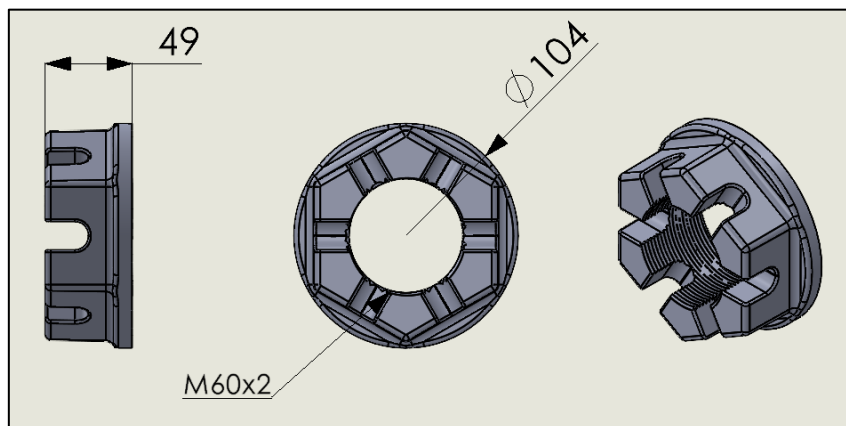
61824 – Hub Cap



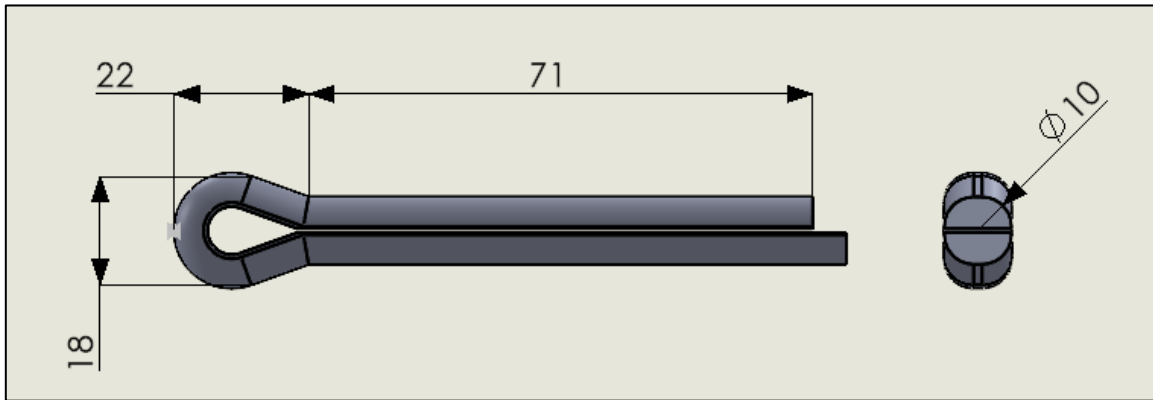
20001 – Hub Cap Seal



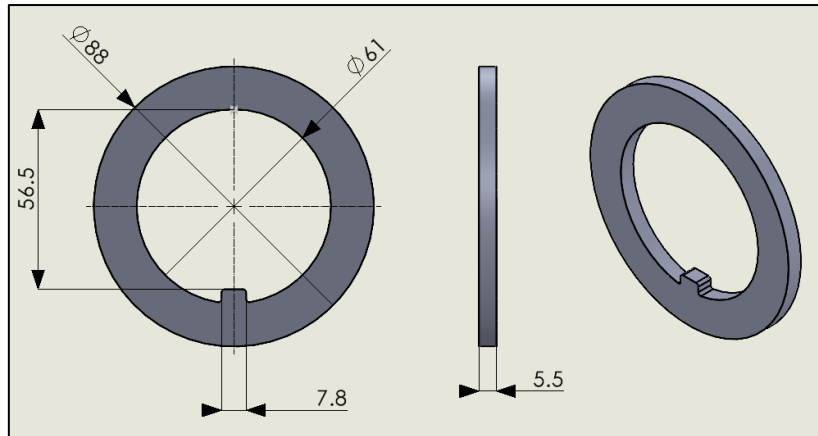
61820 – Spindle Castle Nut



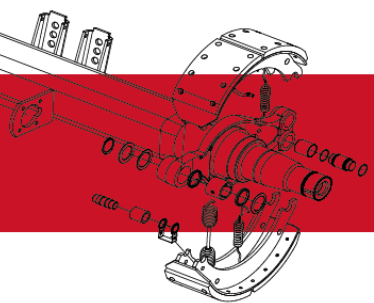
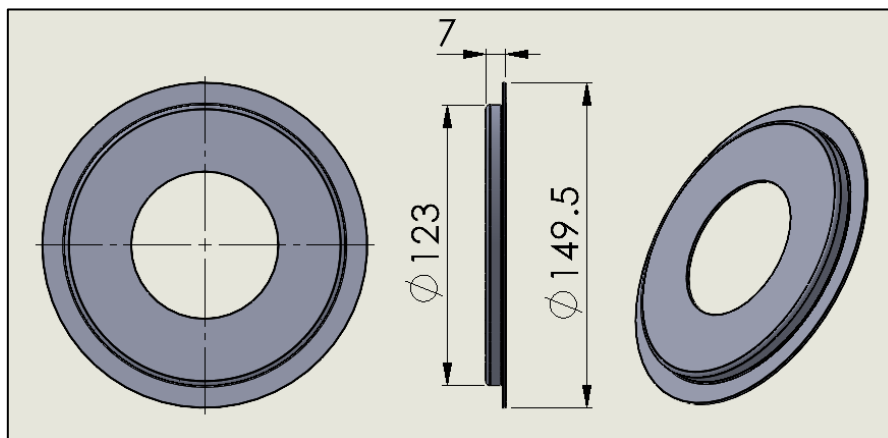
61821 – Split Pin



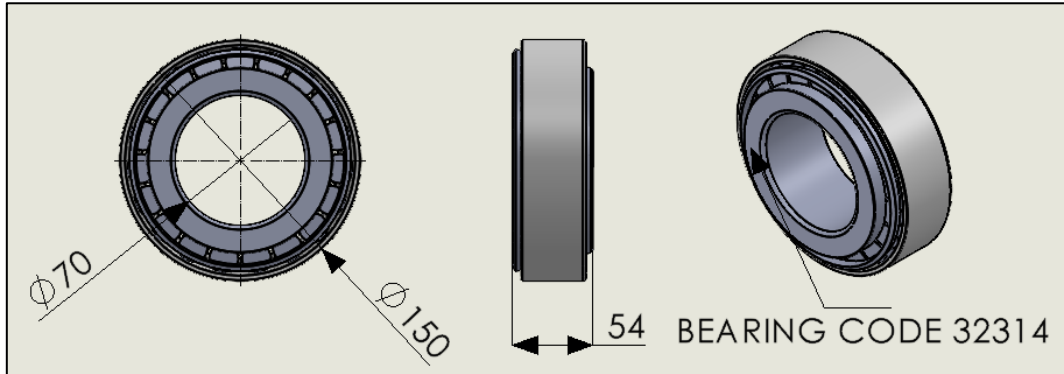
61819 – Spindle Washer



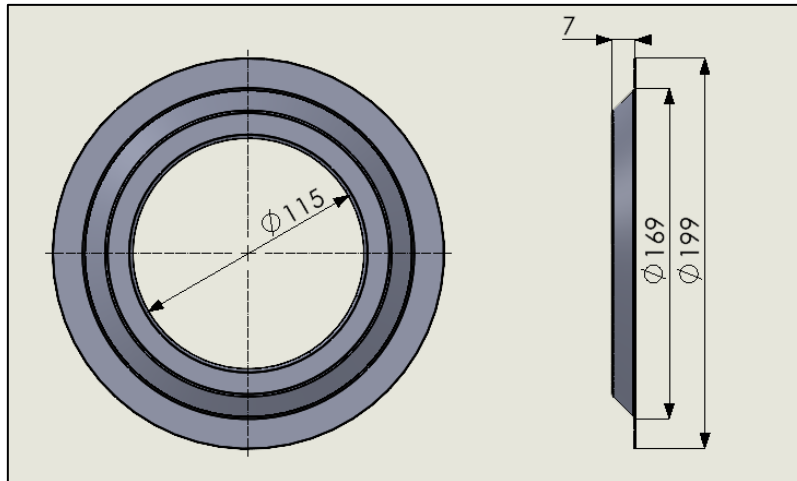
61836 – Pressed Washer



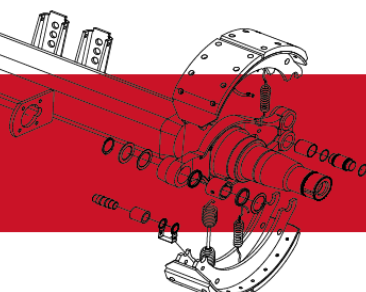
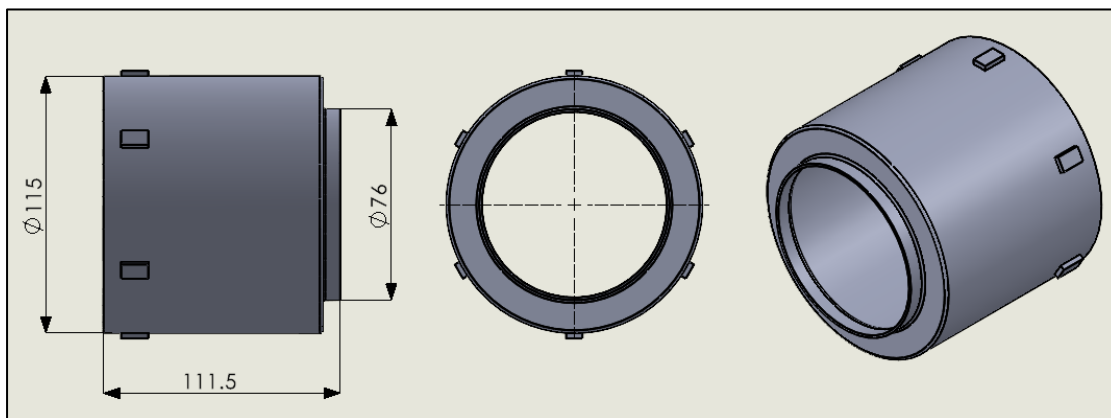
97639 – Outer Bearing



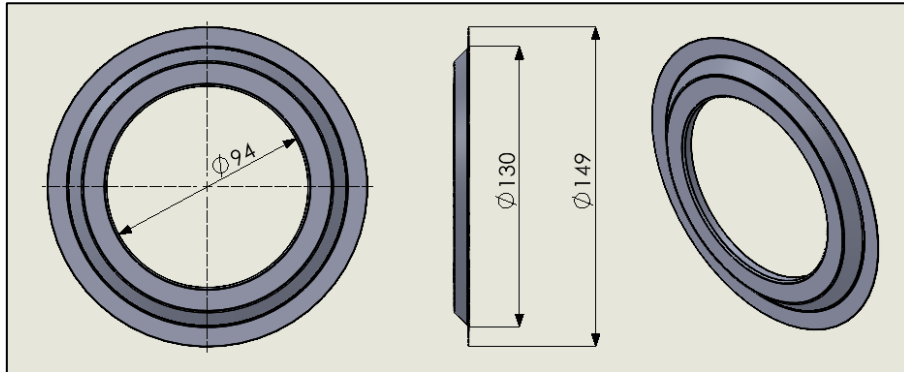
61816 – Hub Baffle Outer



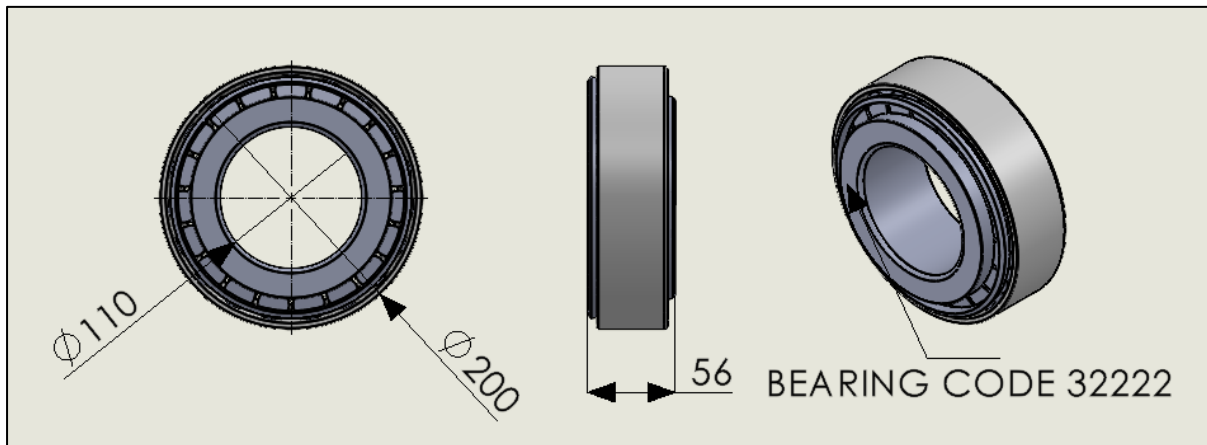
61835 – Hub Baffle Cylinder



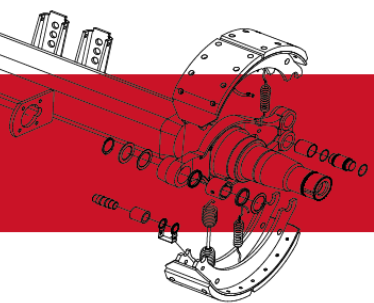
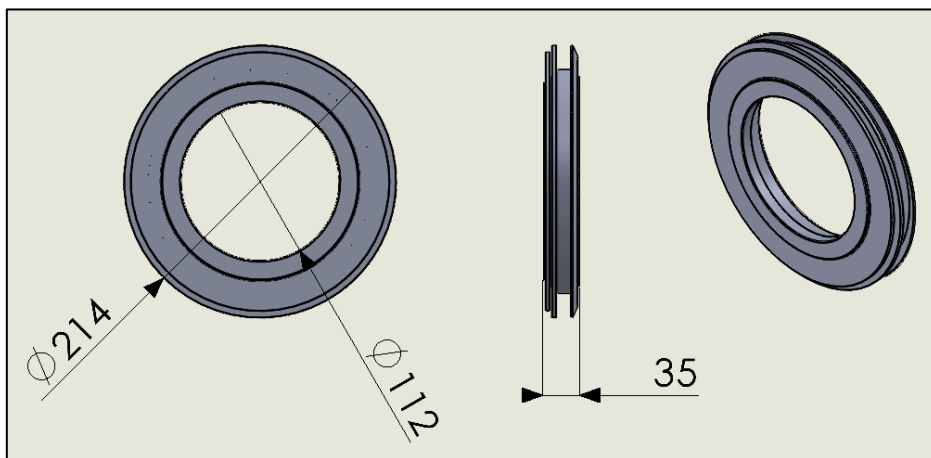
62131 – Hub Baffle Inner



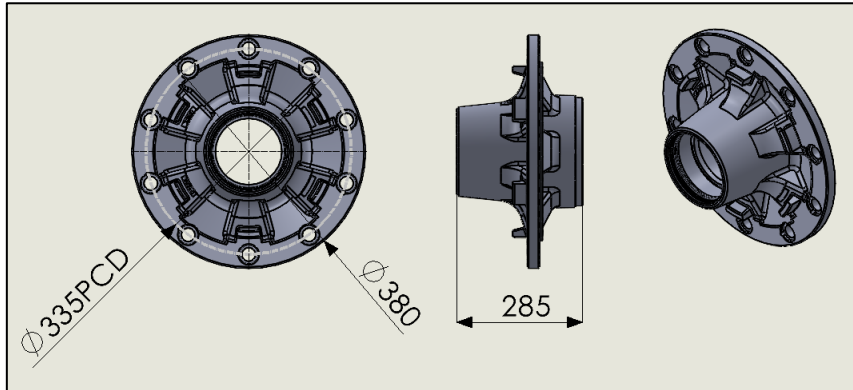
97638 – Inner Bearing



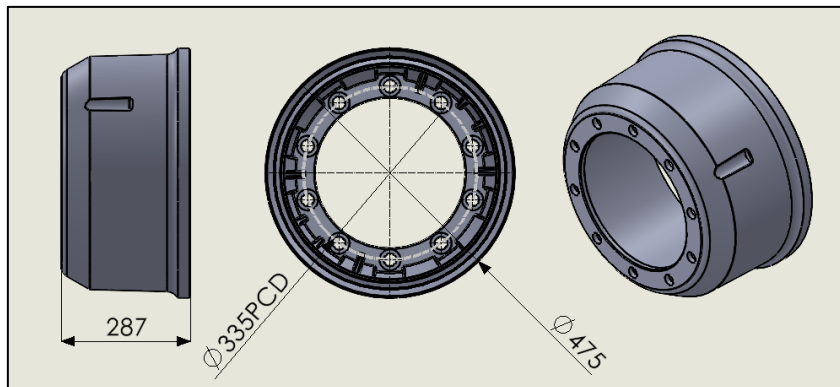
61818 – Hub Seal



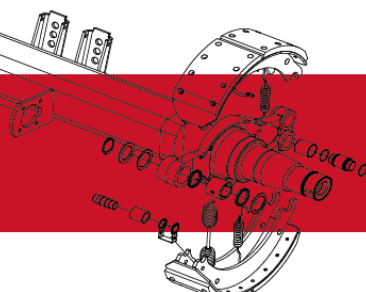
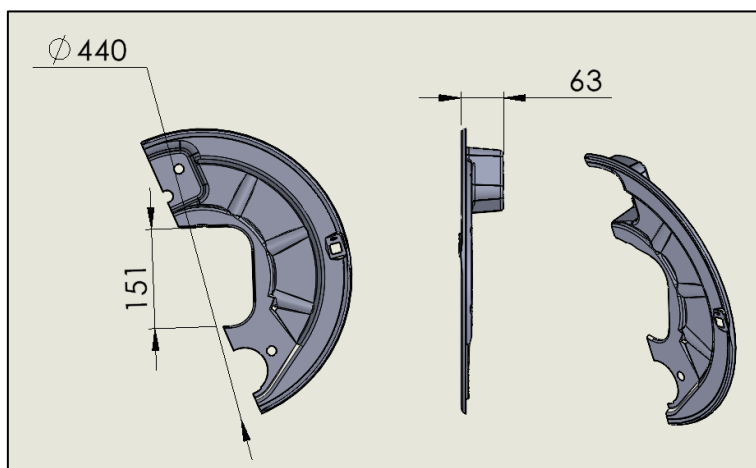
61814 - Hub



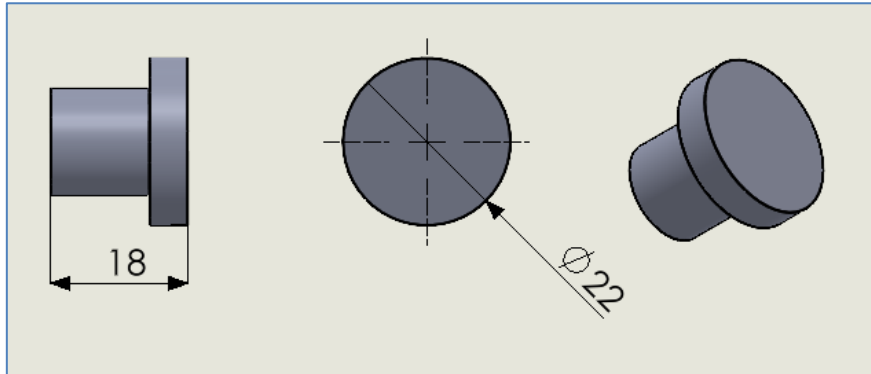
97645 - Drum



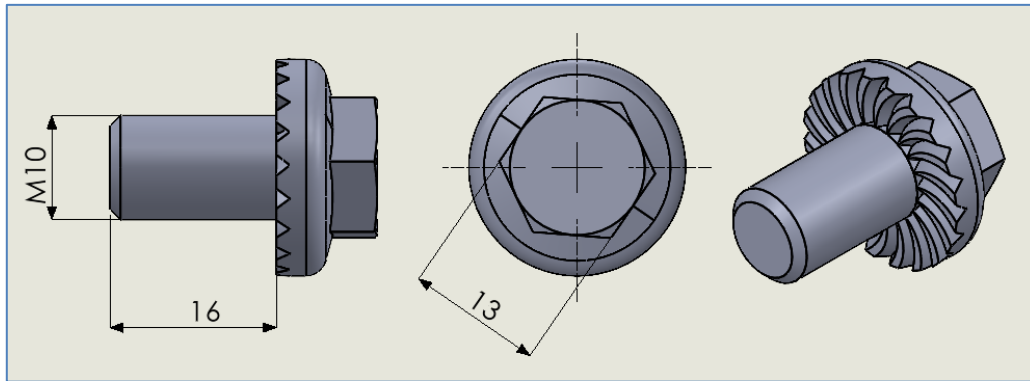
61825 - Dust Cover LHS, 61827 - Dust Cover RHS (Shown below)



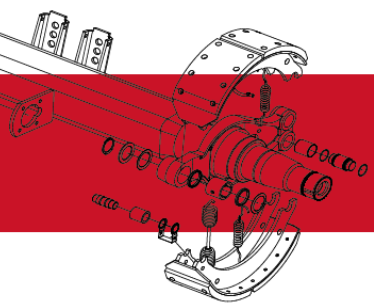
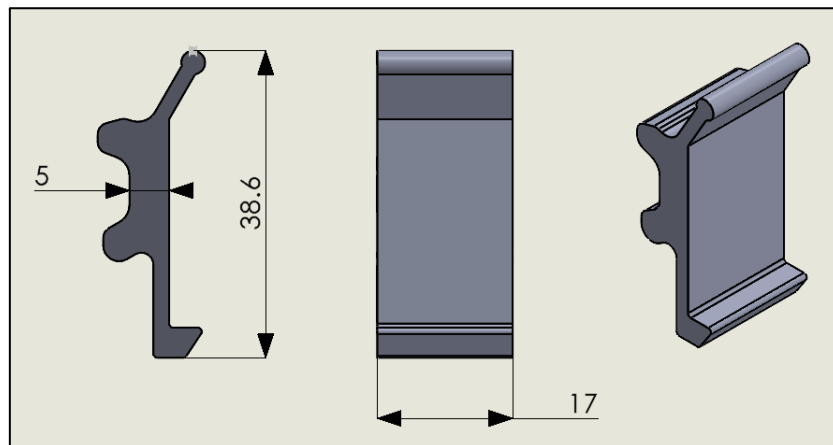
62143 - Dust Cover Plug



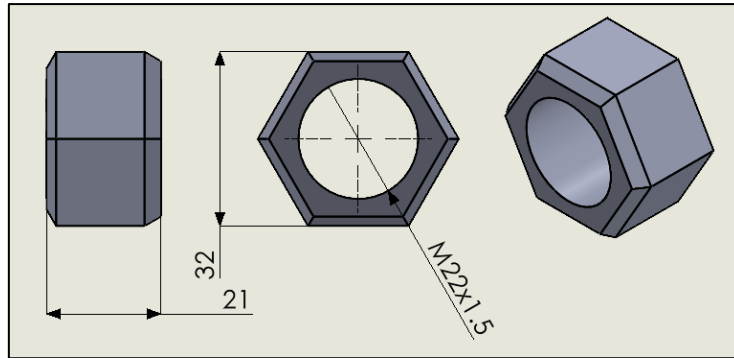
62137 - Dust Cover Bolt



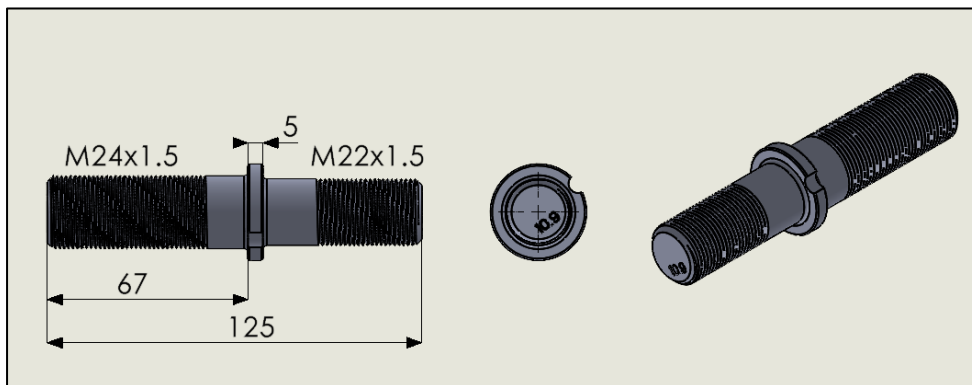
61843 - Dust Cover View Plug



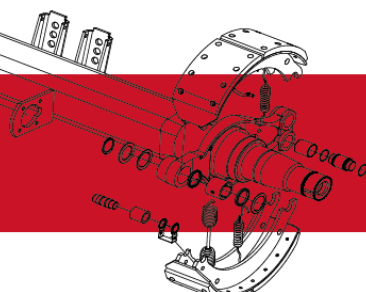
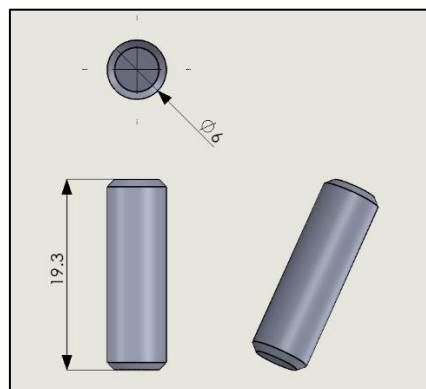
20100 – Internal Wheel Bolt Nut



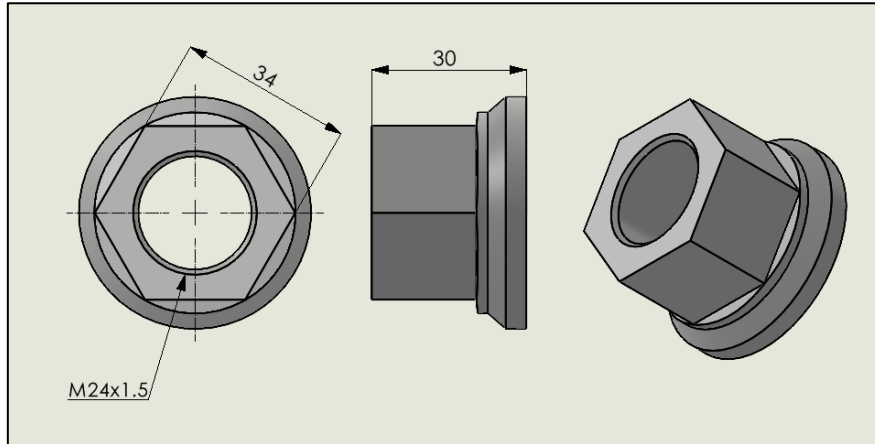
97642 – Wheel Stud



61834 – Wheel Stud Pin



97643- M24 ISO Nut



We reserve the right to make changes to specifications or to make improvements to the products in this catalogue without prior notice. We are not responsible for inaccuracies or omissions.

