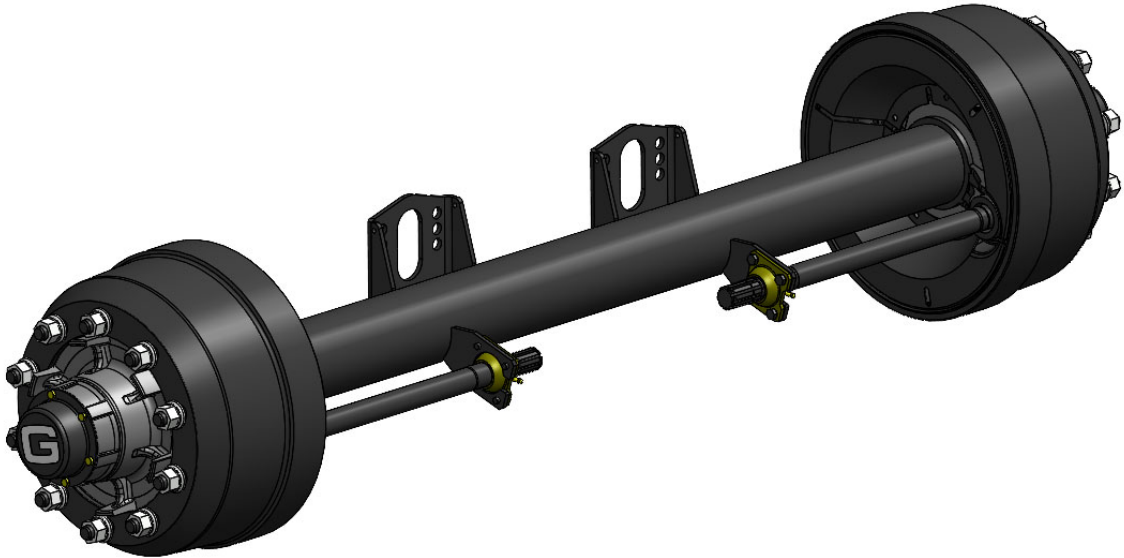


## 420 x 180 – 100 “F” SERIES AXLES



**100 series axle is TUV tested to 11000Kg, please see website for test report.**

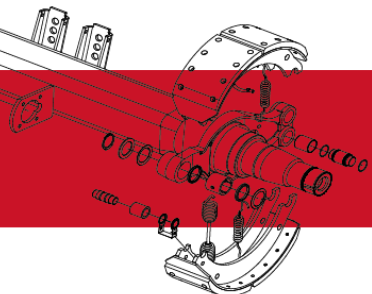
**335mm PCD 10 stud M22 hub and drum. 280.8mm hub pilot.**

**Available in single and twin wheel stud.**

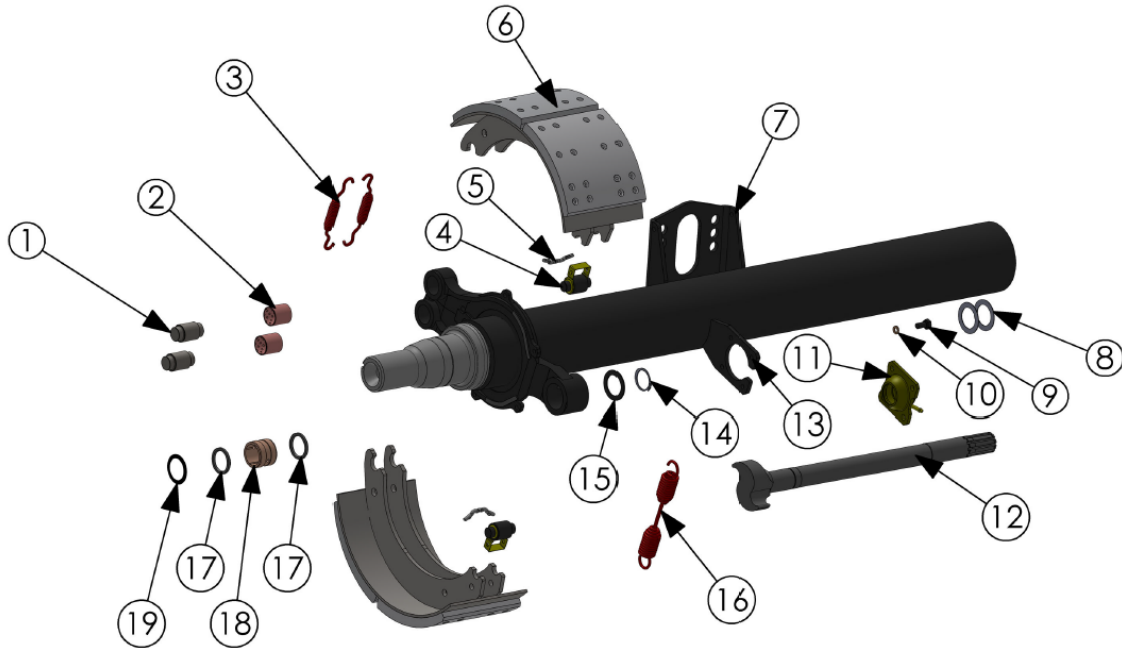
**10 spline camshaft**

**Service manual available on website**

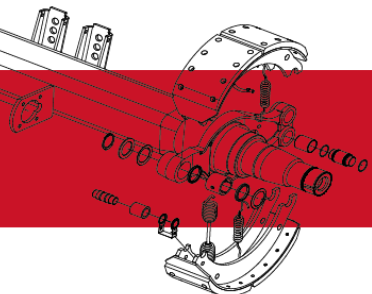
**Please see the following pages for part identification**



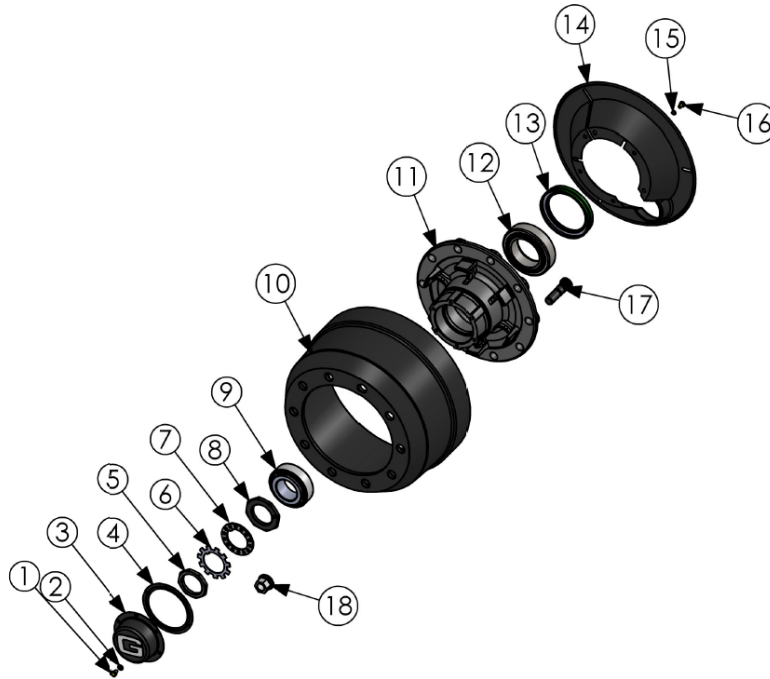
## 420 x 180 – 100 “F” Series Quick Fit Brake Assembly



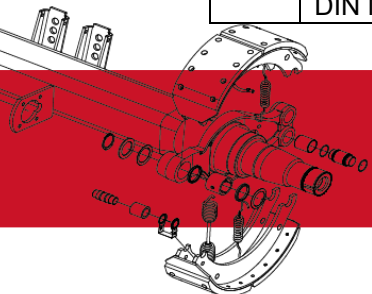
Item	Description	Part No.	QTY per Axle	Kit Name
1	Anchor Pin	61171	4	AK300
2	Bush Anchor Pin	61200B	4	AK300
3	Brake Shoe Retaining Spring	61141	4	AK300
	<b>Brake Shoe Assembly</b>	61157FA	4	
(4)	Retainer Cam Roller	61235	(4)	AK300
	Retainer Cam Roller Retainer	61220	(4)	AK300
(5)	Spring Anchor Bar	61150	(4)	AK300
(6)	Brake Shoe (FWE11)	61157F	(4)	
7	Air Chamber Bracket	61041F	2	
8	Camshaft Support Washer	96365F	4	AK200
9	M10 x 20 Screw	61359	8	AK200
10	Serrated Washer	96363F	8	AK200
	Spring Washer	96364F	8	AK200
11	Spherical Bearing	61080F	2	AK200
12	Axle Camshaft		2	
13	Camshaft Support Bracket	61050F	2	
14	Circlip	61120	2	AK200
15	Support Washer Camshaft	61058	2	AK200
16	Brake Return Spring	61140	2	AK300
17	Camshaft Grease Seal	61056	4	AK200
18	Camshaft Sintered Bush	61055	2	AK200
19	Beveled Washer	61057	2	AK200



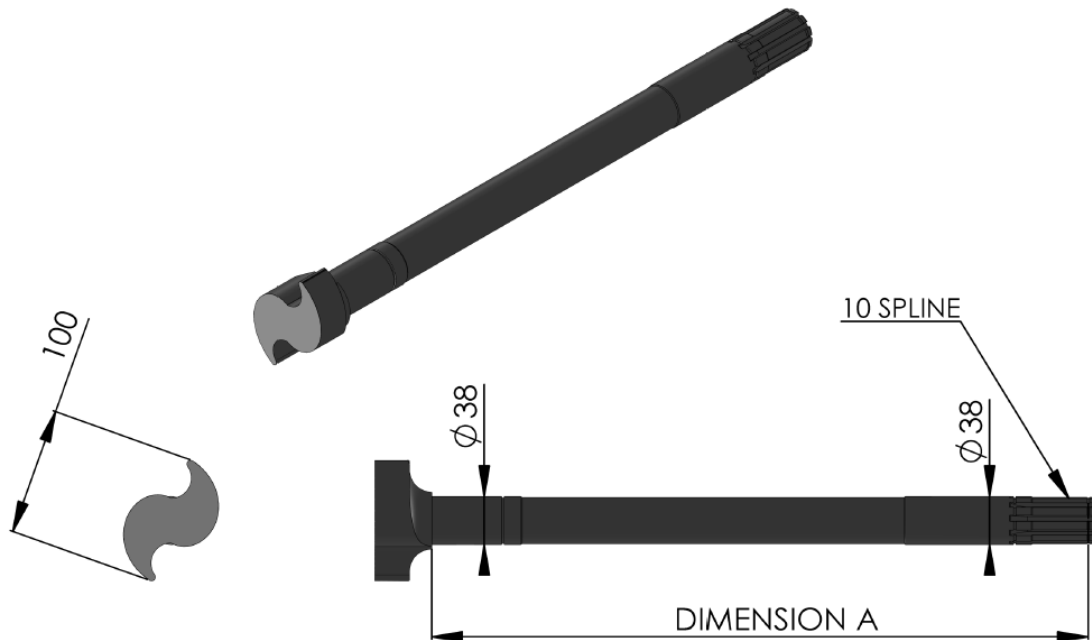
## 420 x 180 – 100 “F” Series Hub/Drum Assembly



Item	Description	Part No.	QTY per Axle	Kit Name
1	Screw M8 x 16 Fl. Head	61358F	12	AK102
2	M8 Serrated Washer	96366F	12	AK102
3	Hub Cap Pressing "G"	61322	2	AK102
4	Gasket	61330F	2	AK102
5	Locknut	61310	2	AK100
6	Tab Washer	61311	2	AK100
7	Lock Washer	61300	2	AK100
8	Adjusting Nut	61290	2	AK100
9	Outer Bearing	61270F	2	71001/4
10	Brake Drum 10 Stud	61243F	2	71001/4
11	Hub Spigot 10 Stud	61253F	2	71001/4
12	Inner Bearing	61260F	2	71001/4
13	Unitised Grease Seal	61282F	2	71001/4
14	Dust Cover	61390F	2	61390FK
15	M8 Serrated Washer	96366F	12	61390FK
16	M8x16mm Bolt	61358F	12	61390FK
17	Wheel Bolt M22 ISO (Twin)	61386F	20	71001
	Wheel Bolt M22 ISO (Single)	61388F	20	71004
18	ISO Wheel Nut M22	61381Z	20	71001/4
	DIN Wheel Nut M22	61383	20	
	DIN Wheel Nut M22	61411	20	
	DIN Nut Outer Washer	61372	20	
	DIN Nut Inner Washer	61371	20	



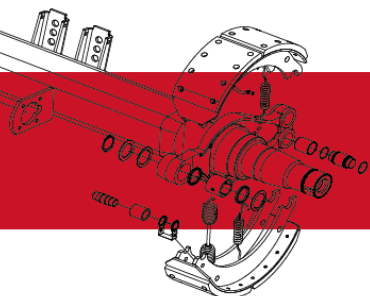
## 420 x 180 – 100 “F” Series Camshaft Parts List



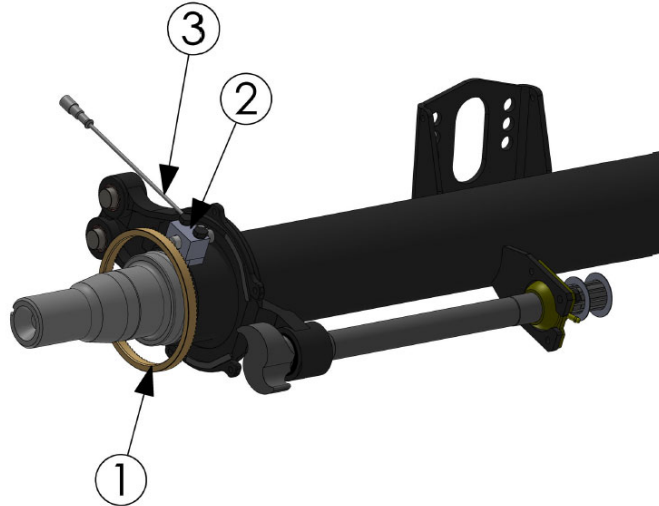
Item	Description (DIM A)	Part No.
1	Left Hand Large Head (189mm)	61127
2	Right Hand Large Head (189mm)	61147
3	Left Hand Large Head (212mm)	61061
4	Right Hand Large Head (212mm)	61071
5	Left Hand Large Head (250mm)	61138
6	Right Hand Large Head (250mm)	61148
7	Left Hand Large Head (519mm)	61065
8	Right Hand Large Head (519mm)	61075
9	Left Hand Large Head (618mm)	61067
10	Right Hand Large Head (618mm)	61077
11	Left Hand Large Head (680mm)	61151
12	Right Hand Large Head (680mm)	61152

Camshaft lengths are measured from under head to the center of last circlip groove.

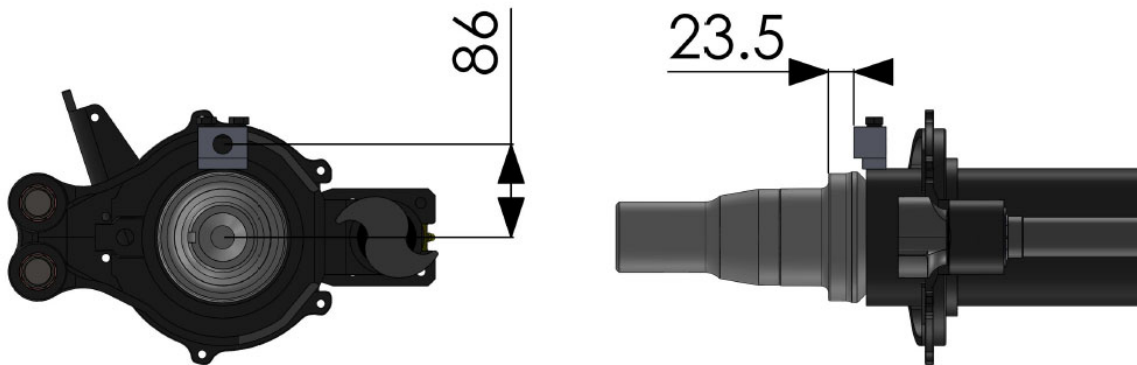
The illustrated camshaft is a right-hand camshaft. When looking at the head of the camshaft a right-hand cam is Z shaped and a left hand is S shaped



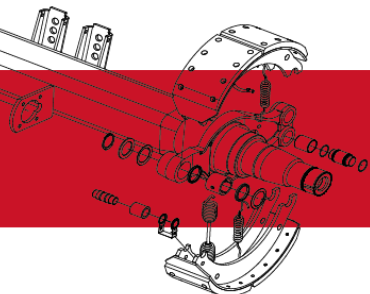
## 420 x 180 – 100 “F” Series ABS/Anti-Lock Assembly



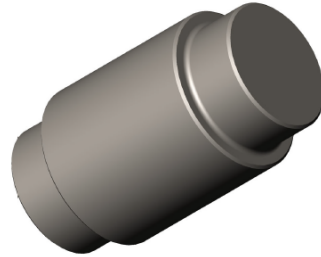
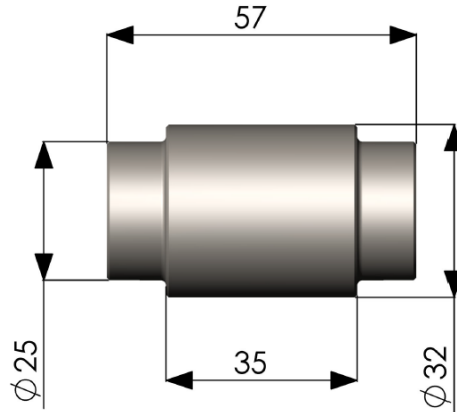
Item	Description	Part No.
1	Pole Wheel (100 tooth)	61789
2	Sensor Block	61376F
3	90 Degree ABS Lead	61786
4	Dust Cover Grommet	61557



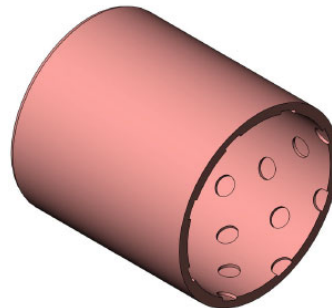
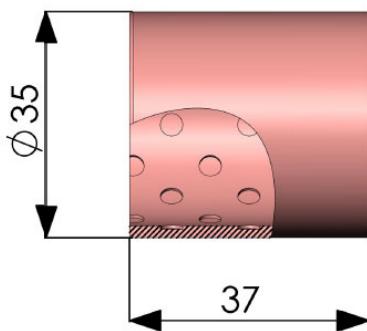
Face of sensor block 23.5mm from large bearing shoulder  
Bolt on ABS block (as shown above) is positioned 90 degrees to camshaft. Weld on style is 180 degrees to camshaft and is in line with hole in anchor bracket.



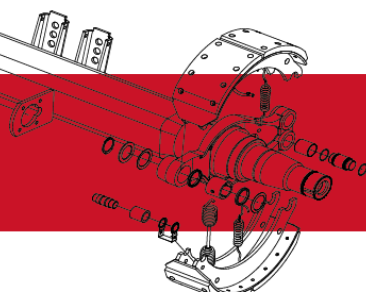
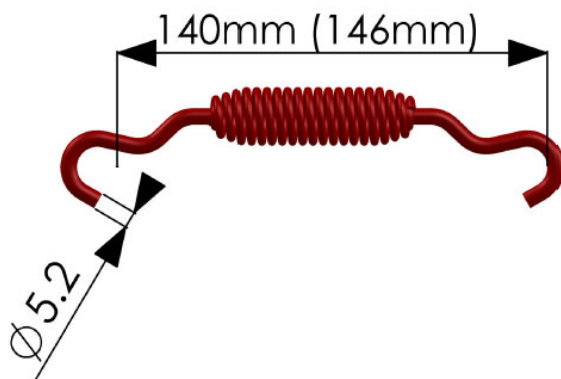
**61171 – Anchor pin**



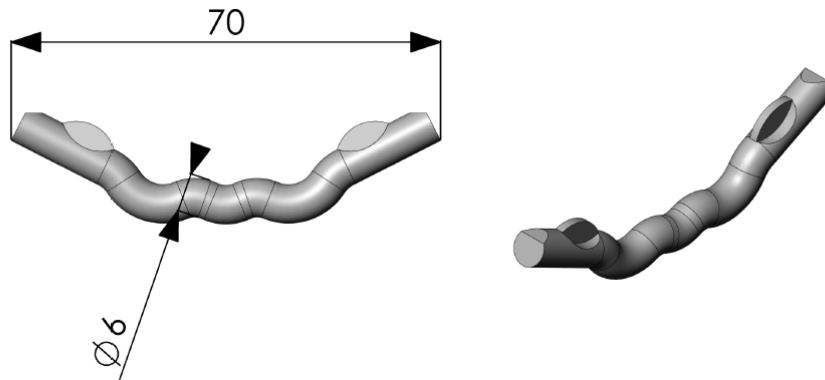
**61200B – Bush Anchor Pin**



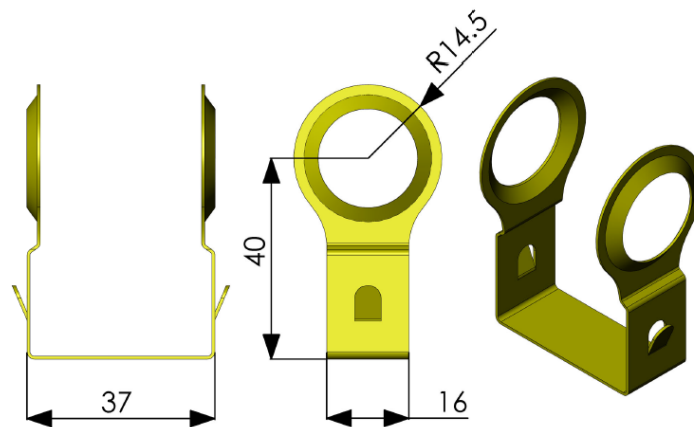
**61141 – Brake Shoe Retaining Spring**



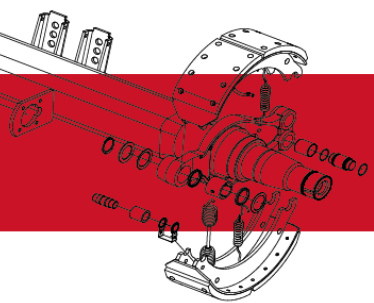
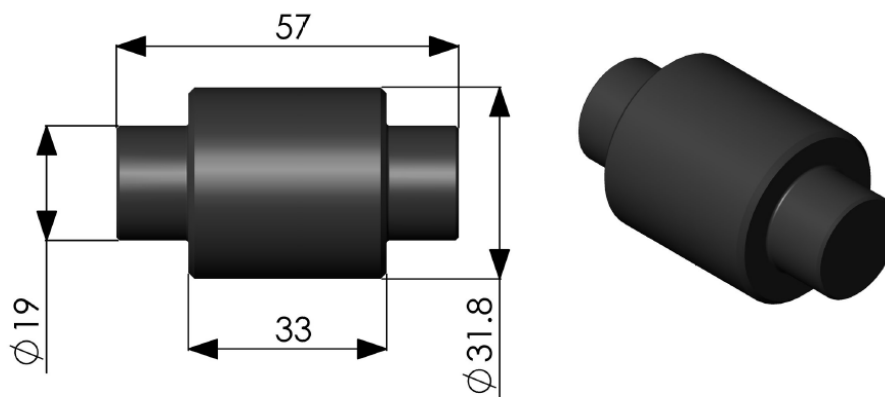
**61150 – Spring Anchor Bar**



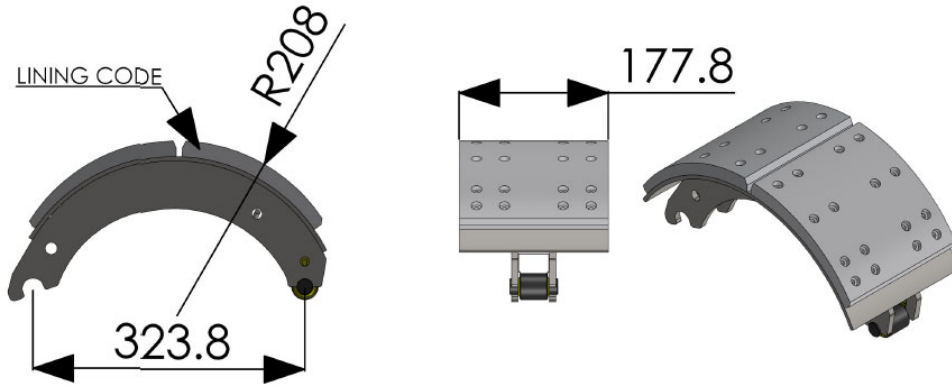
**61220 – Retainer Cam Roller**



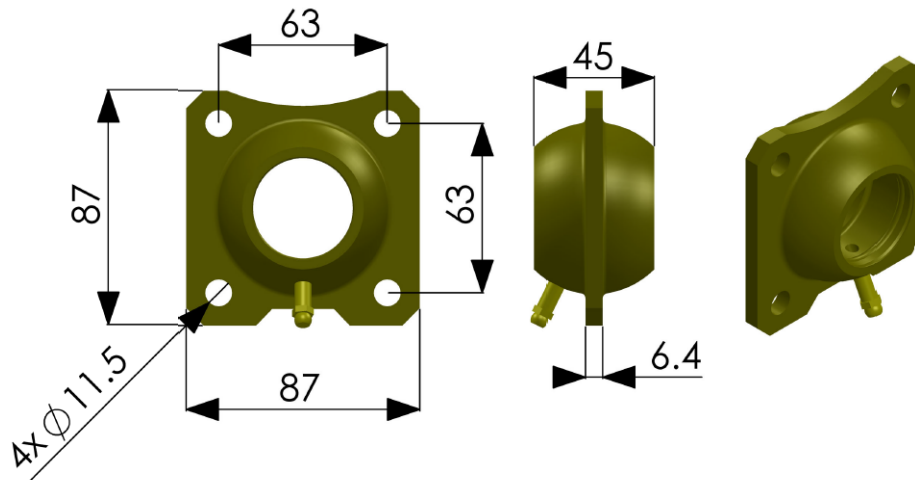
**61235 – One Piece Cam Roller**



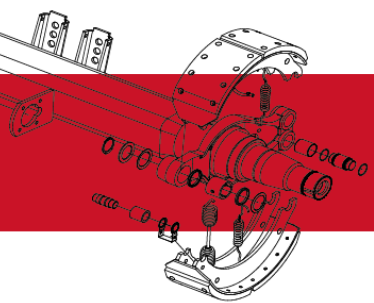
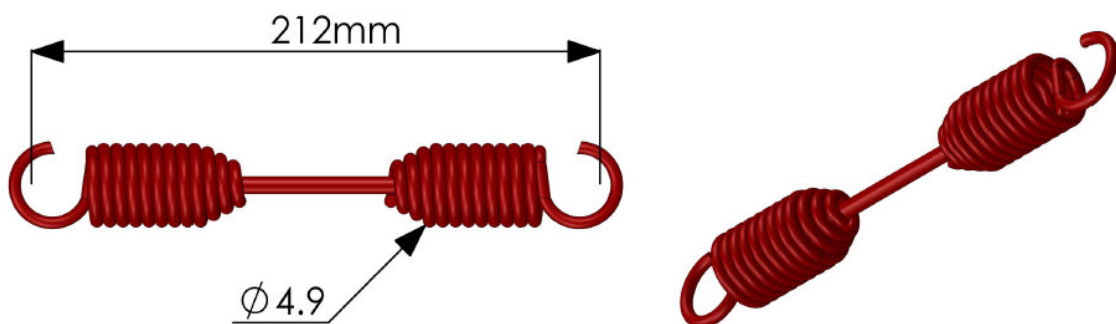
**61157FA – Brake shoe with spring anchor bar and cam roller (FWE11)**



**61080F – Camshaft Spherical Bearing**

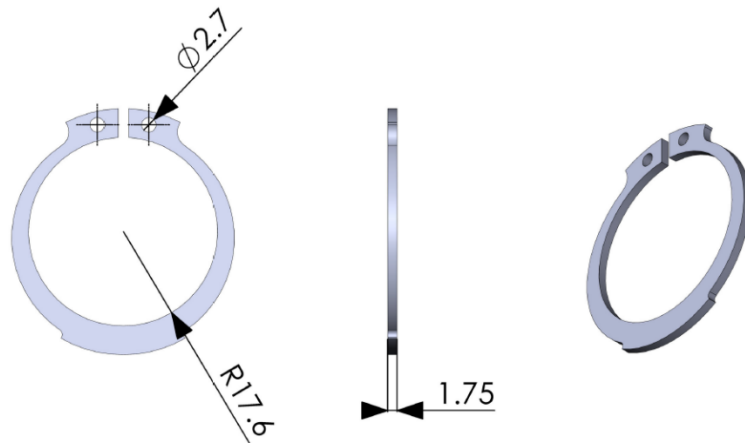


**61140 – Spring Return**

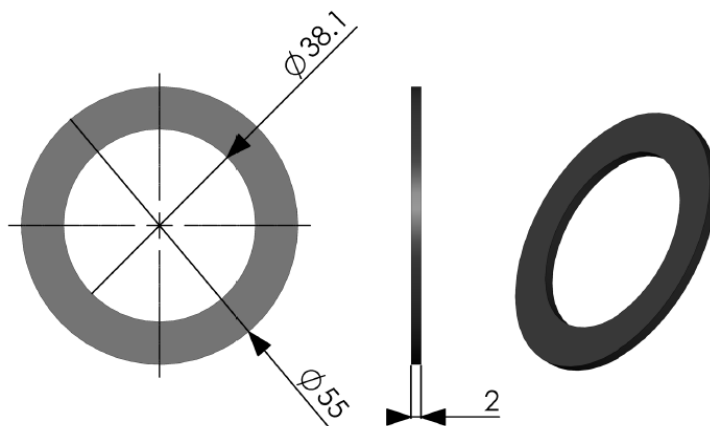




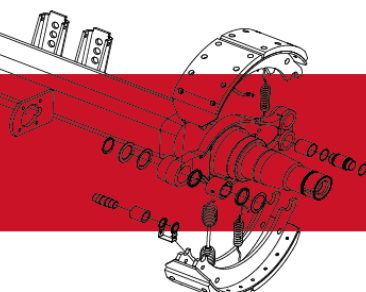
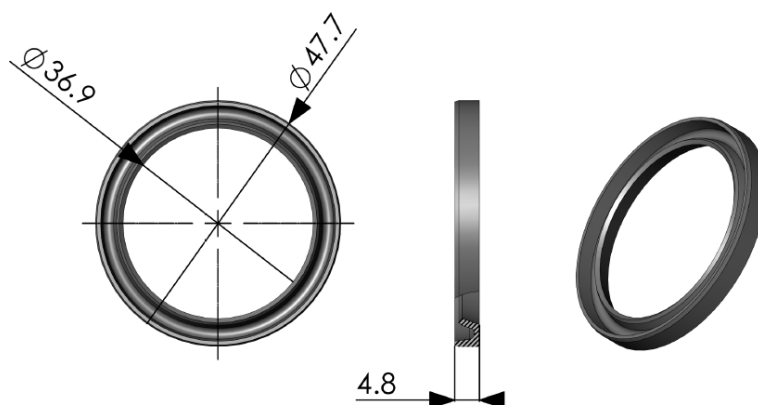
**61120 – Circlip**



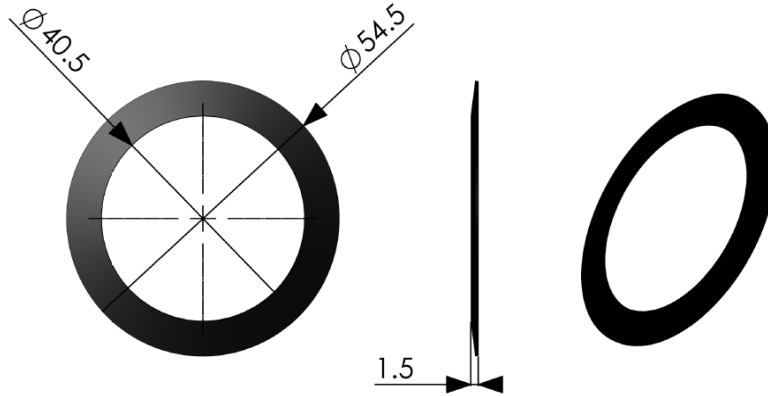
**61058 – Camshaft Support Washer**



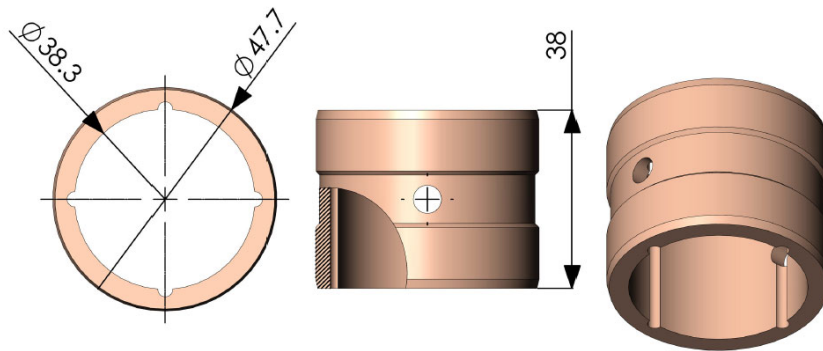
**61056 – Camshaft Grease Seal**



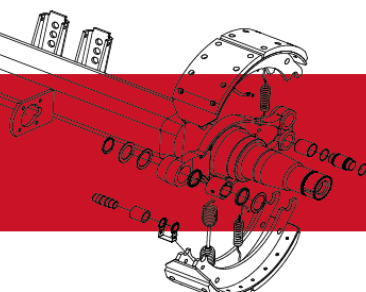
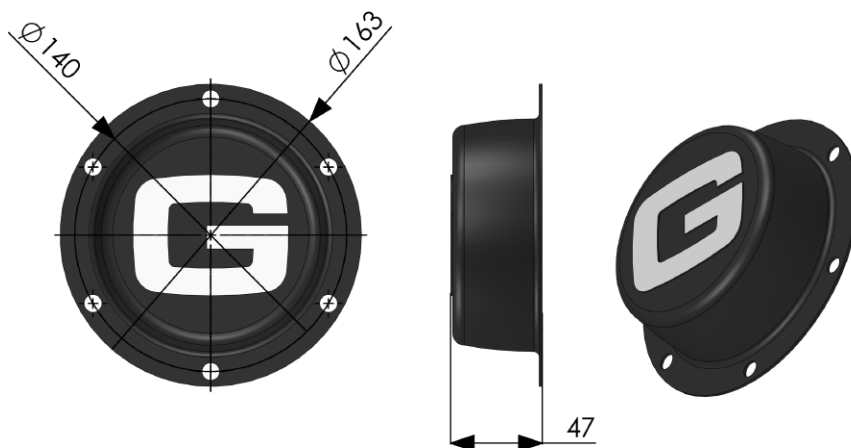
**61057 – Camshaft Beveled Washer**



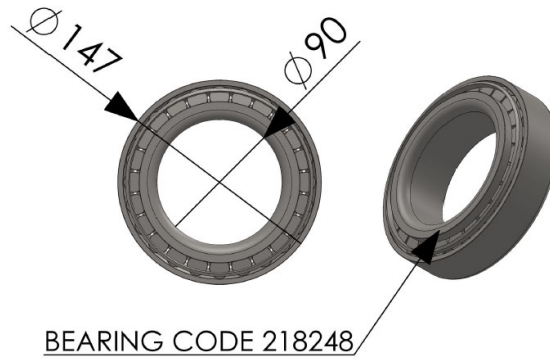
**61055 – Camshaft Sintered Bush**



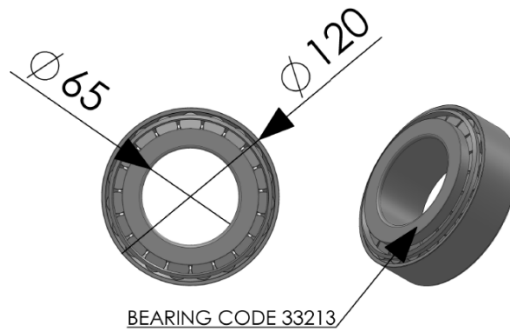
**61322 – G Hub Cap Pressing**



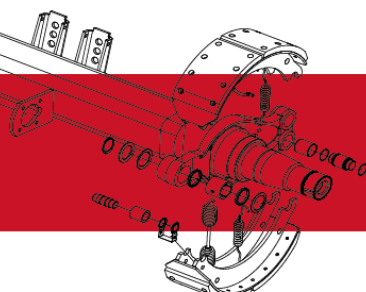
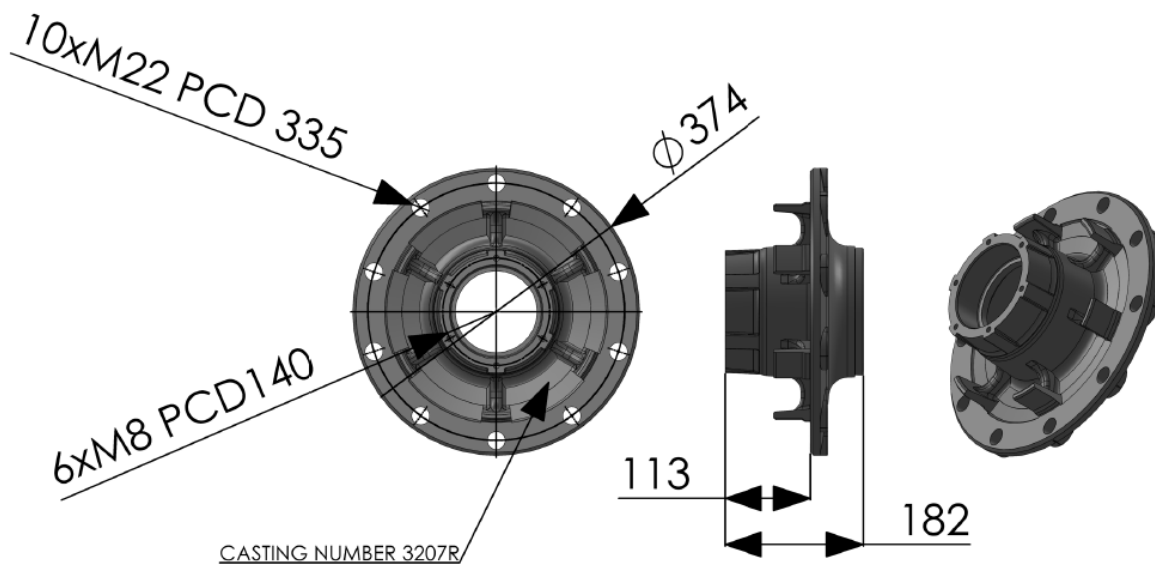
**61260F – Inner bearing and cone**



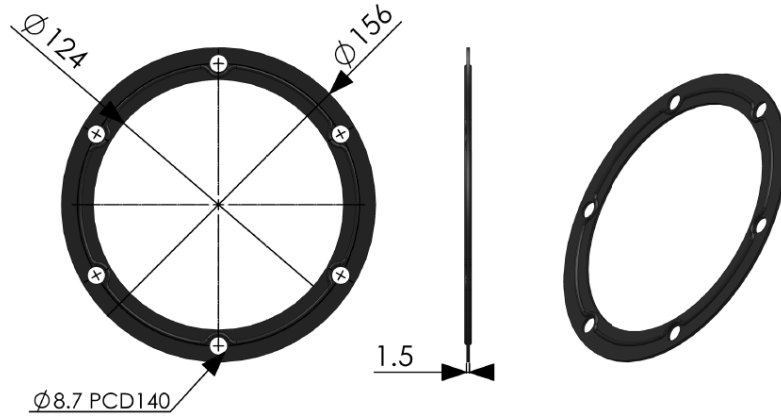
**61270F – Outer bearing and cone**



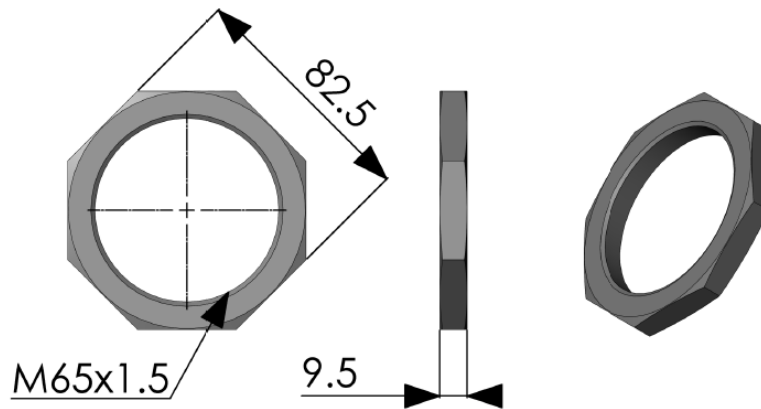
**61253F – Hub**



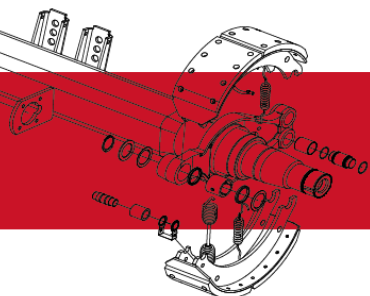
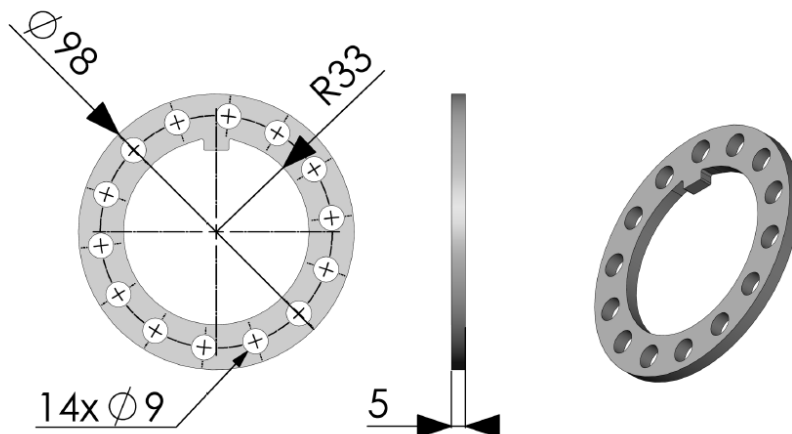
**61330F – Gasket**



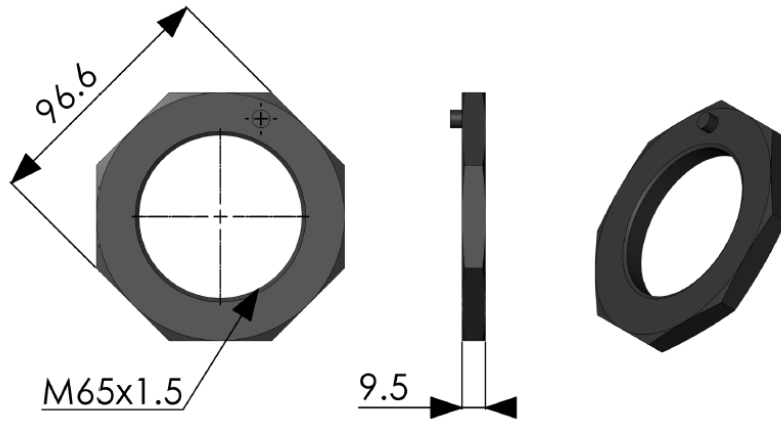
**61310 – Locknut**



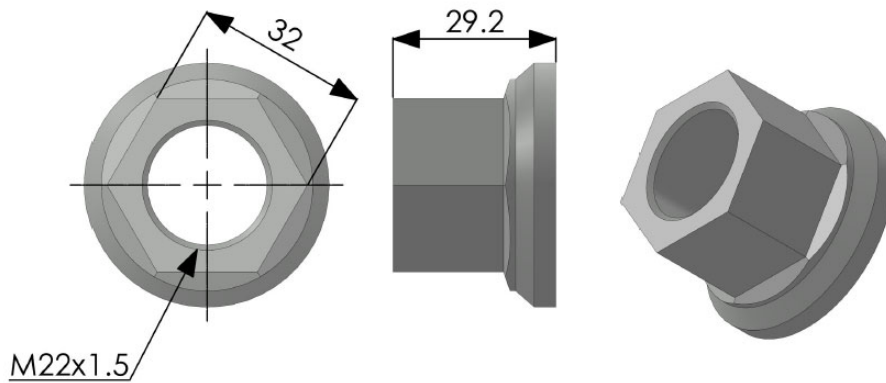
**61300 – Lock Washer**



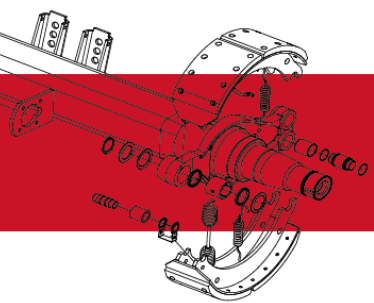
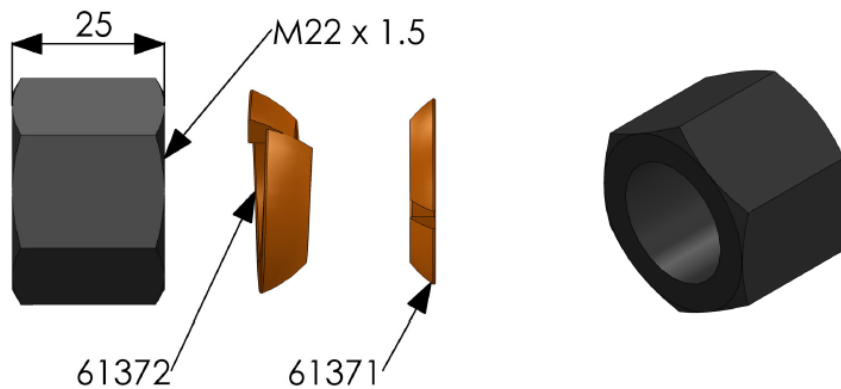
**61290 – Adjusting Nut**



**61381 – M22 ISO Wheel Nut**



**61383 – M22 DIN Wheel Nut + Washers (61372 & 61371)**

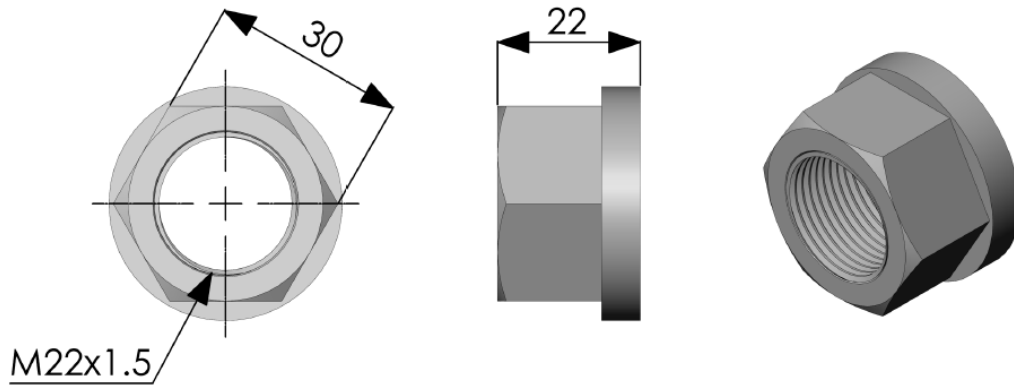




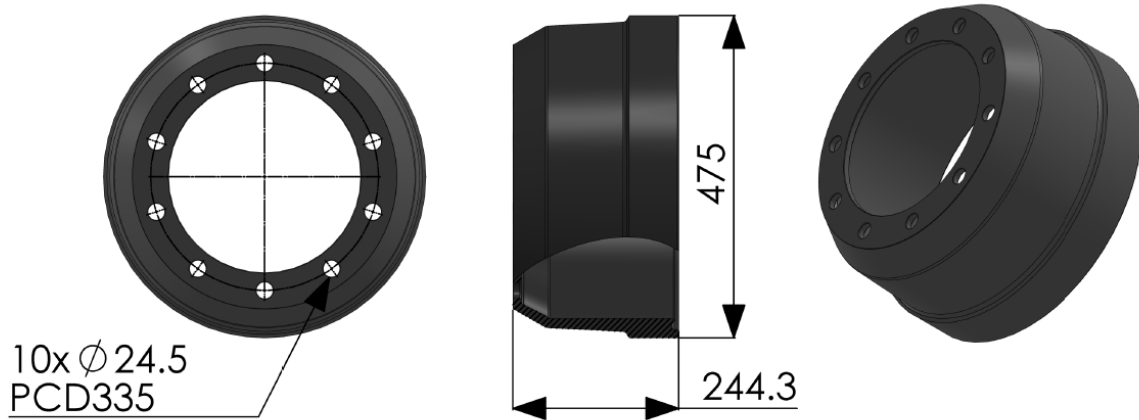
# granning

axle and suspension solutions

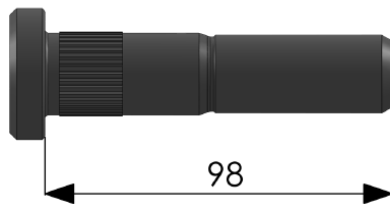
## 61411 – M22 DIN Wheel Nut



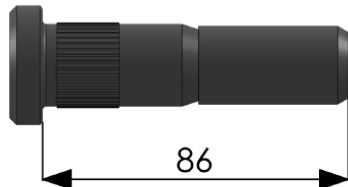
## 61243F – Brake Drum



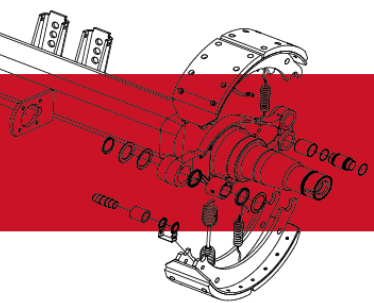
## Wheel Bolt



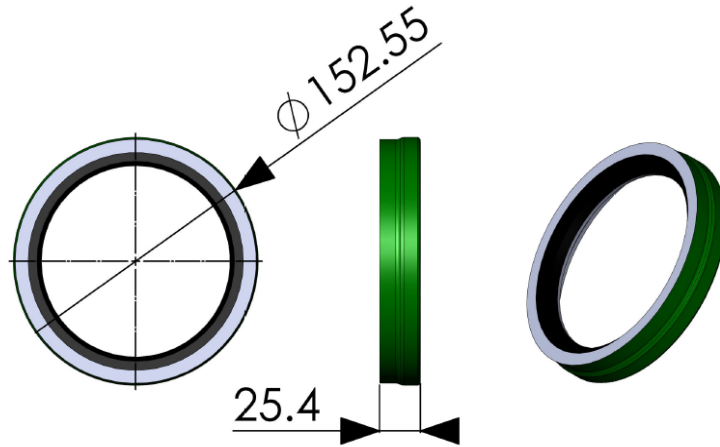
61386F M22x1.5 TWIN



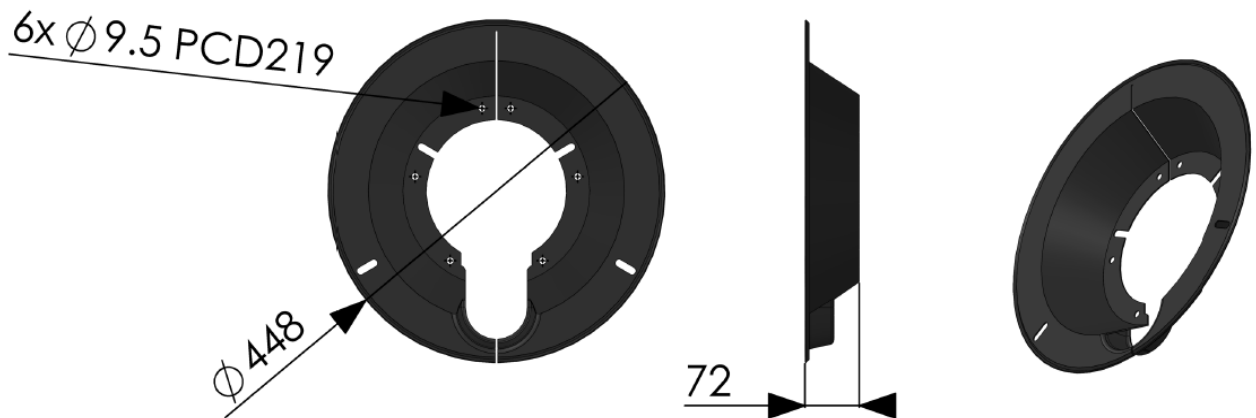
61388F M22x1.5 SINGLE



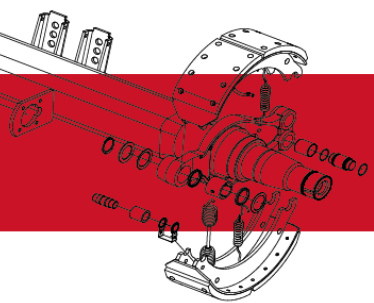
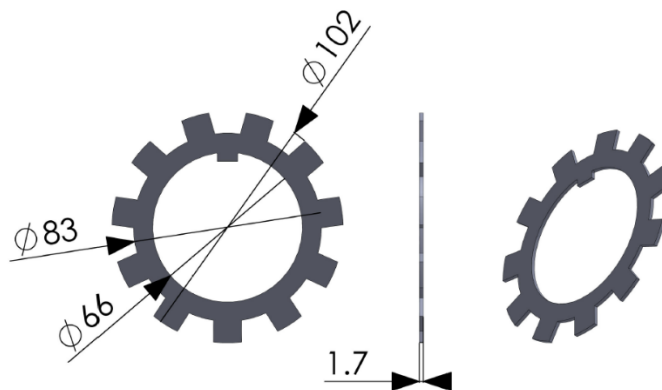
**61282F – Unitised Grease Seal**



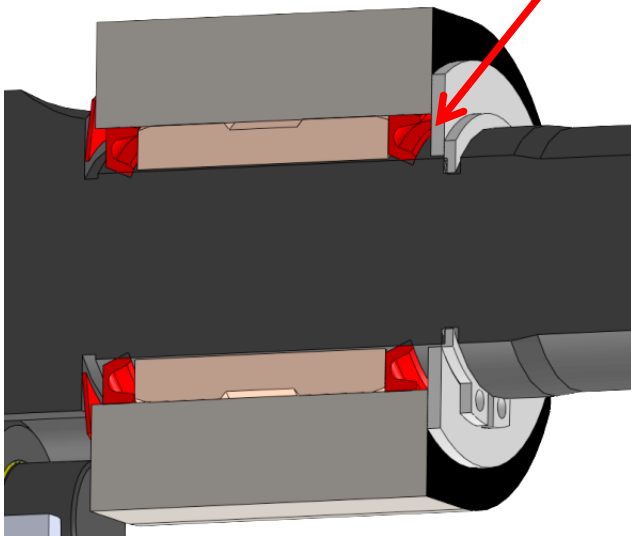
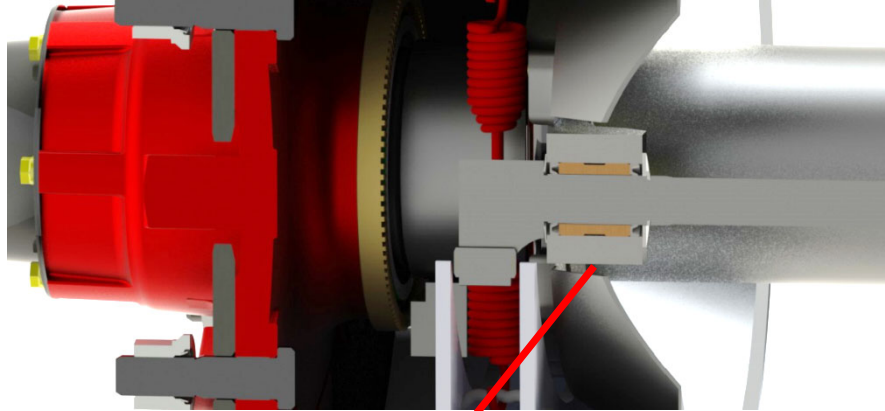
**61390F – Dust Cover**



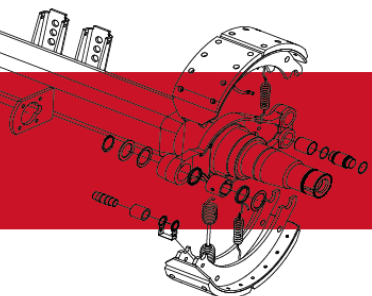
**61311 – Tab Washer**



## Position of seals in the anchor bracket



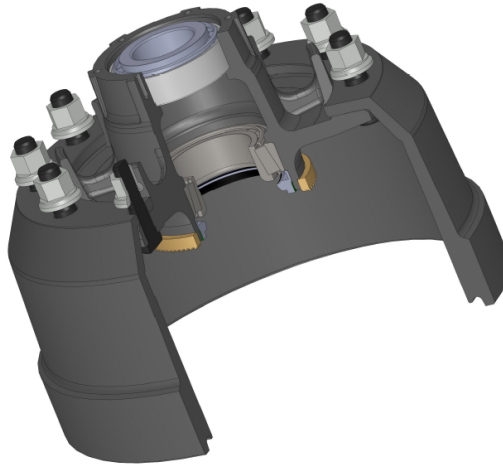
The direction of the grease seals in the anchor bracket is important as well as the position of the beveled washer between the anchor bracket and camshaft head.





## Ordering Of Sub-Assemblies

It is possible to order sub-assemblies of parts from Granning rather than ordering individual parts.

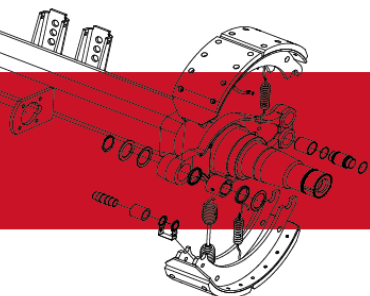


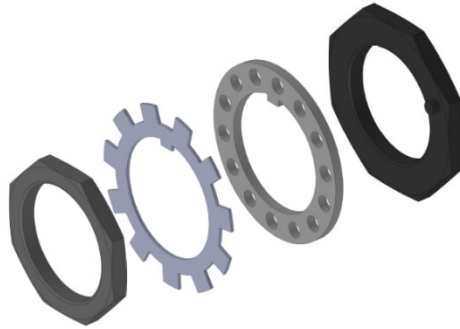
### 71001 – Single Wheel Stud Hub and Drum Assembly 71001W – 71001 with 1 x 100 tooth pole wheel 61789

Part Number	Quantity	Description
61243F	1	Drum
61253F	1	Hub
61270F	1	Outer Bearing
61260F	1	Inner Bearing
61388F	10	Single wheel stud
61381Z	10	ISO wheel nut
61282F	1	Unitised grease seal

### 71004 – Twin Wheel Stud Hub and Drum Assembly 71004W – 71004 with 1 x 100 tooth pole wheel 61789

Part Number	Quantity	Description
61243F	1	Drum
61253F	1	Hub
61270F	1	Outer bearing
61260F	1	Inner bearing
61386F	10	Twin wheel stud
61381Z	10	ISO wheel nut
61282F	1	Unitised grease seal





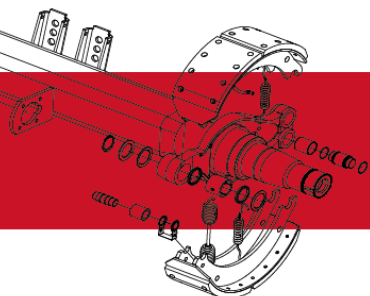
**AK100 – Spindle Nut Kit**

Part Number	Quantity	Description
61310	1	Locknut
61311	1	Tab Washer
61300	1	Lock Washer
61290	1	Adjusting Washer



**AK102 – Hubcap Kit**

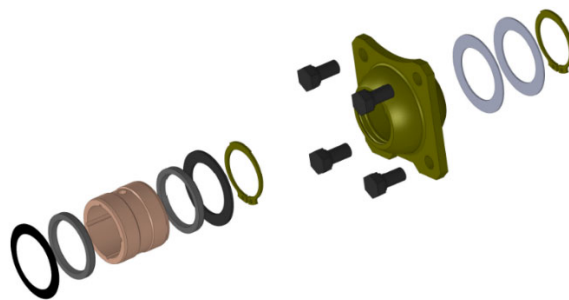
Part Number	Quantity	Description
61322F	1	Hubcap
61330F	1	Hubcap Gasket
96366F	12	M8 Serrated Washer
61358F	12	Screw M8x16 Fl. Head





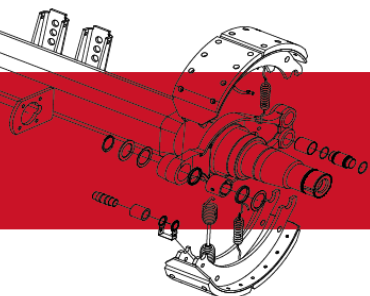
**AK300 – Brake Shoe Kit (one side of axle)**

Part Number	Quantity	Description
61140	1	Return spring
61141	2	Brake shoe retaining spring
61150	2	Spring anchor bar
61235	2	One Piece Cam roller
61220	2	Retainer cam roller
61200B	2	Bush anchor pin
61171	2	Anchor pin



**AK200 – Camshaft Bush Kit (one side of axle)**

Part Number	Quantity	Description
61080F	1	Spherical bearing
61055	1	Camshaft sintered bush
61056	2	Camshaft grease seal
61057	1	Beveled camshaft washer
61058	1	Camshaft washer
61120	2	Camshaft circlip
96365F	2	Camshaft support washer
61359	4	M8 Hex Bolt
96363F	4	Serrated Washer
96364F	4	Spring Washer





**AK401 – ABS Kit (one side of axle)**

Part Number	Quantity	Description
61789	1	Pole Wheel (100 tooth)
61376F	1	Sensor Block
61786	1	90 Degree ABS Lead
61557	1	Dust Cover Grommet

We reserve the right to make changes to specifications or to make improvements to the products in this catalogue without prior notice. We are not responsible for inaccuracies or omissions.

