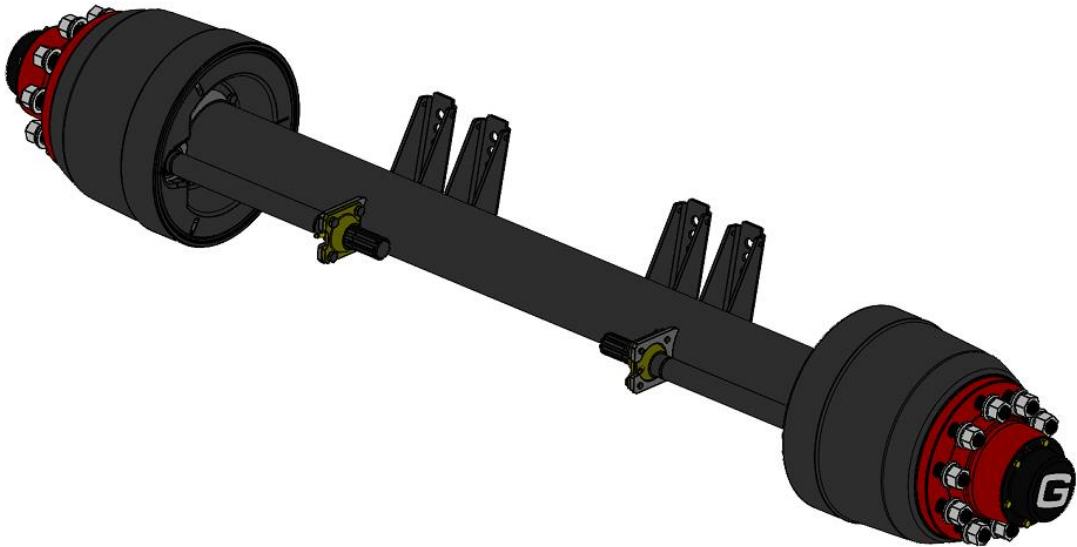


310x190 – 300 “F” SERIES AXLE



300 series axle is TUV tested to 11000Kg, please see website for test report.

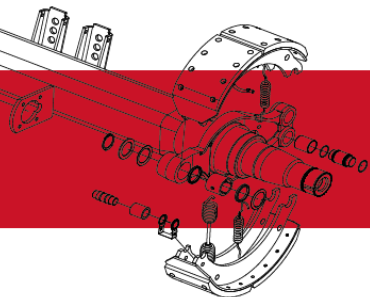
225mm PCD 10 stud M22 hub and drum. 173mm hub pilot.

Available in single and twin wheel stud.

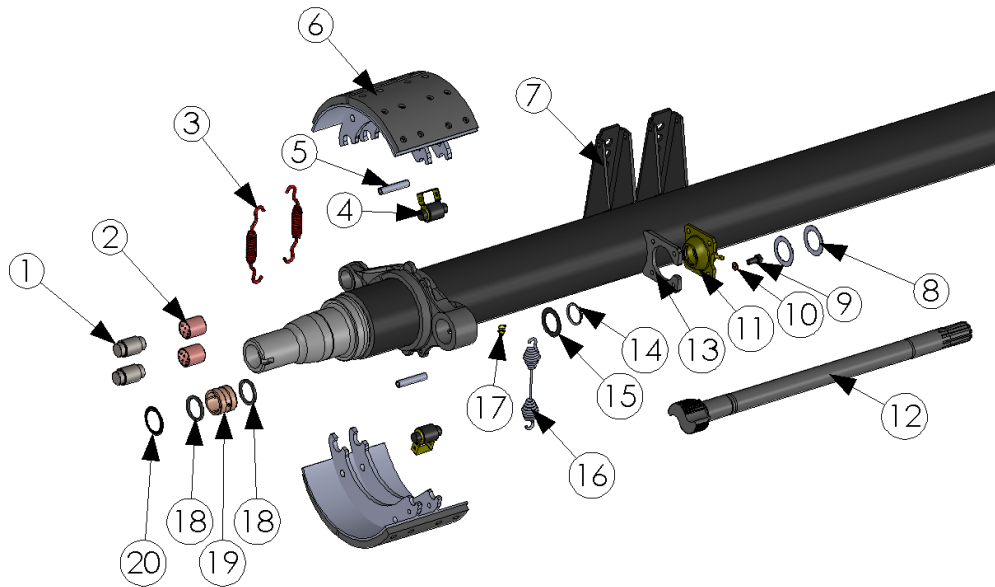
10 spline camshaft

Service manual available on website

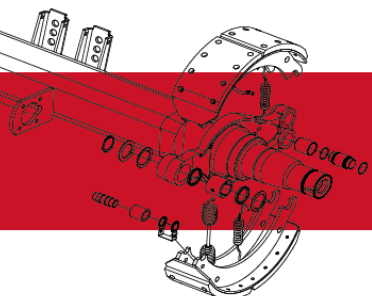
Please see following pages for part identification



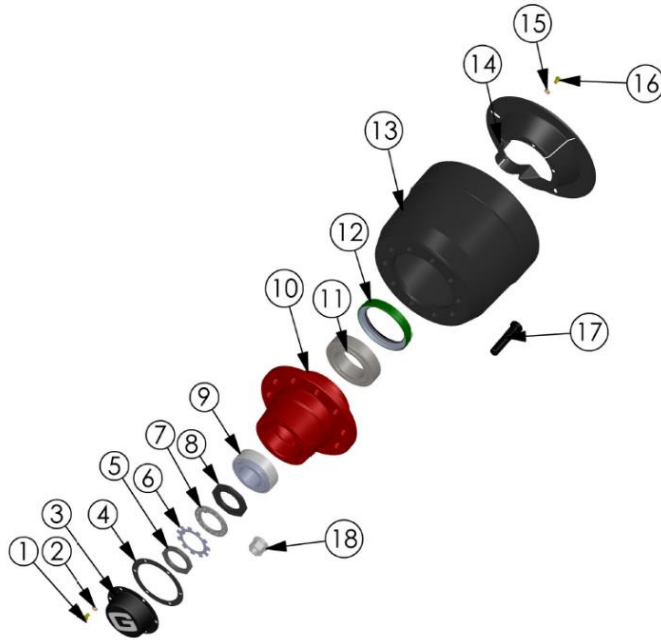
310x190 – 300 “F” Series Quick Fit Brake Assembly



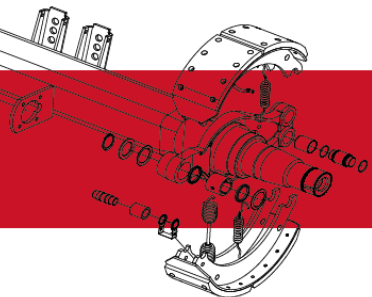
Item	Description	Part No.	QTY per Axle	Kit Name
1	Anchor Pin	61171	4	AK301
2	Bush Anchor Pin	61200B	4	AK301
3	Brake Shoe Retaining Spring	61141	4	AK301
	Brake Shoe Assembly	61542FA	4	
(4)	Retainer Cam Roller	61235	(4)	AK301
	Retainer Cam Roller Retainer	61220	(4)	AK301
(5)	Spring Anchor Bar	61341	(4)	AK301
(6)	Brake Shoe (FWE11)	61542F	(4)	
7	Air Chamber Bracket	61044F	4	
8	Camshaft Support Washer	96365F	4	AK200
9	M10x20 Screw	61359	8	AK200
10	Serrated Washer	96363F	8	AK200
	Spring Washer	96364F	8	AK200
11	Spherical Bearing	61080F	2	AK200
12	Axle Camshaft		2	
13	Camshaft Support Bracket	61051F	2	
14	Circlip	61120	2	AK200
15	Support Washer Camshaft	61058	2	AK200
16	Brake Return Spring	61660	2	AK200
17	Greaser 1/8"NPT x 45°	61110	2	AK301
18	Camshaft Grease Seal	61056	4	AK200
19	Camshaft Sintered Bush	61055	2	AK200
20	Beveled Washer	61057	2	AK200



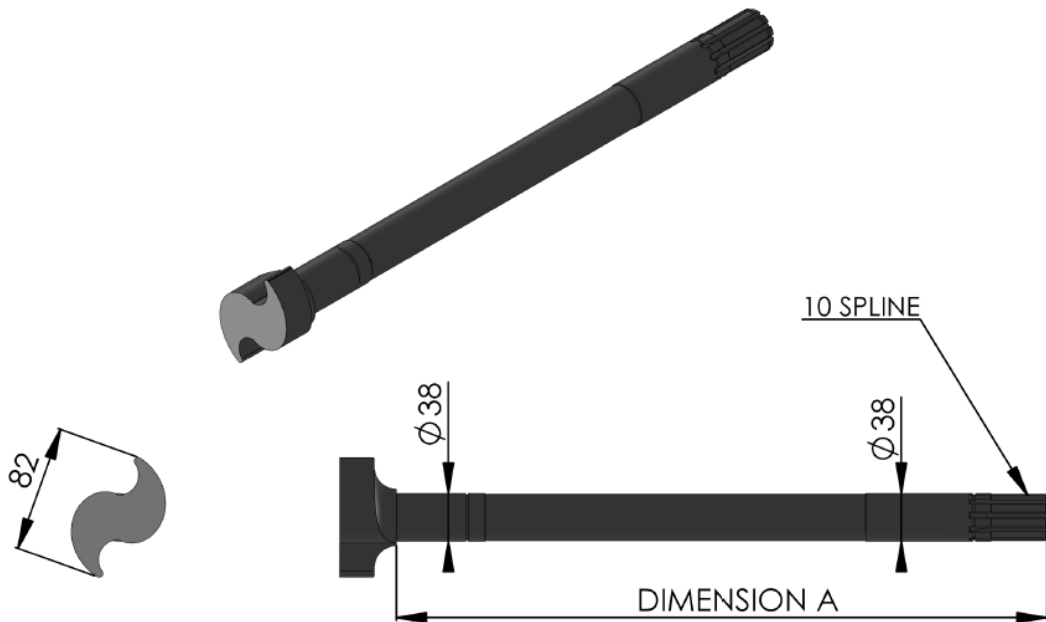
310x190 – 300 “F” Series Hub/Drum Assembly



Item	Description	Part No.	QTY per AXLE	Kit Name
1	Screw M8 x 16 Fl. Head	61358F	12	AK102
2	M8 Serrated Washer	96366F	12	AK102
3	Hub Cap Pressing "G"	61322	2	AK102
4	Gasket	61330F	2	AK102
5	Locknut	61310	2	AK100
6	Tab Washer	61311	2	AK100
7	Lock Washer	61300	2	AK100
8	Adjusting Nut	61290	2	AK100
9	Outer Bearing	61270F	2	71000/3
10	Hub	61520F	2	71000/3
11	Inner Bearing	61260F	2	71000/3
12	Unitised Grease Seal	61282F	2	71000/3
13	Brake Drum 10 Stud	61530F	2	71000/3
14	Dust Cover	61620F	2	61620FK
15	M8 Seratted Washer	96366F	12	61620FK
16	M8x16mm Bolt	61358F	12	61620FK
17	Wheel Bolt M22 ISO (Twin)	61363F	20	71000
	Wheel Bolt M22 ISO (Single)	61361	20	71003
18	ISO Wheel Nut M22	61381Z	20	71000/3
	DIN Wheel Nut M22	61383	20	
	DIN Wheel Nut M22	61411	20	
	DIN Nut Outer Washer	61372	20	
	DIN Nut Inner Washer	61371	20	



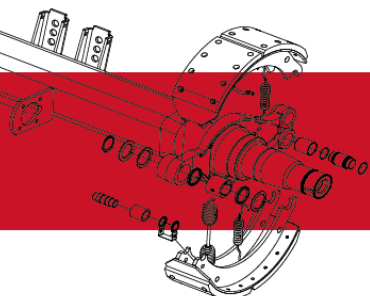
310 x 190 – 300 “F” Series Camshaft Parts List



Item	Description (DIM A)	Part No.
1	Left Hand Small Head (175mm)	61154
2	Right Hand Small Head (175mm)	61153
3	Left Hand Small Head (212mm)	61591
4	Right Hand Small Head (212mm)	61601
5	Left Hand Small Head (519mm)	61595
6	Right Hand Small Head (519mm)	61605
7	Left Hand Small Head (610mm)	61596
8	Right Hand Small Head (610mm)	61606

Camshaft lengths are measured from under head to the centre of last circlip groove.

The illustrated camshaft is a right hand camshaft. When looking at the head of the camshaft a right hand cam is Z shaped and a left hand is S shaped

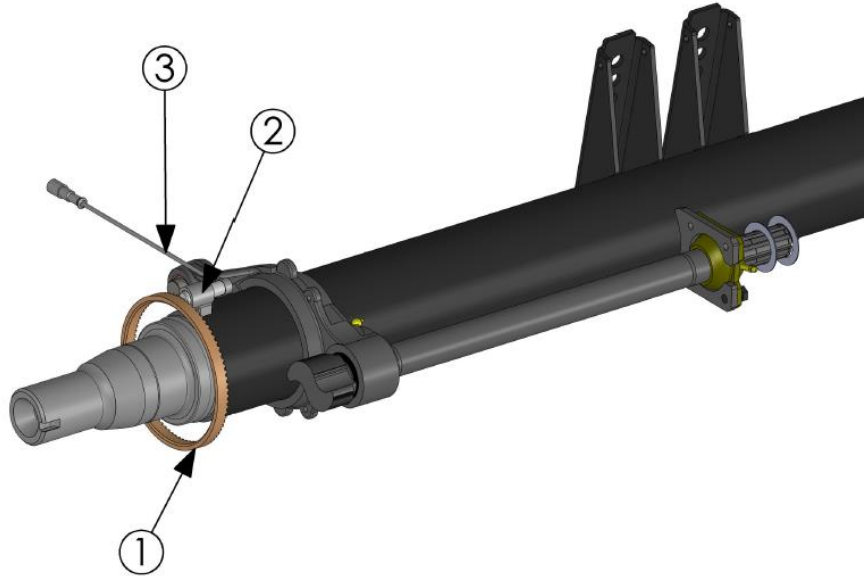




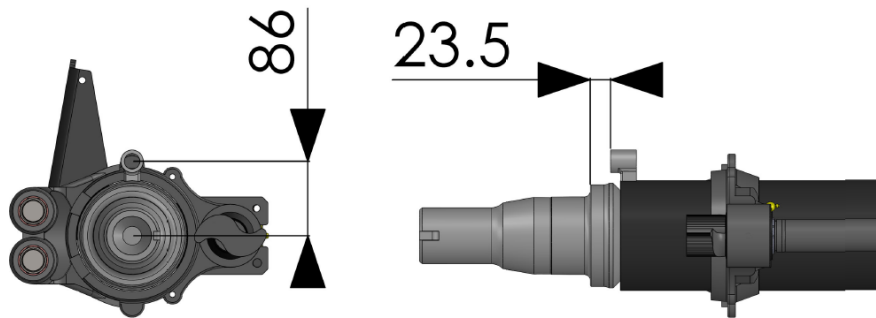
granning

axle and suspension solutions

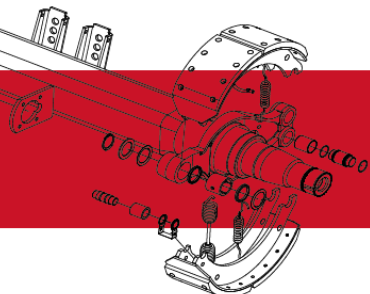
310 x 190 – 300 “F” Series ABS/Anti-Lock Assembly



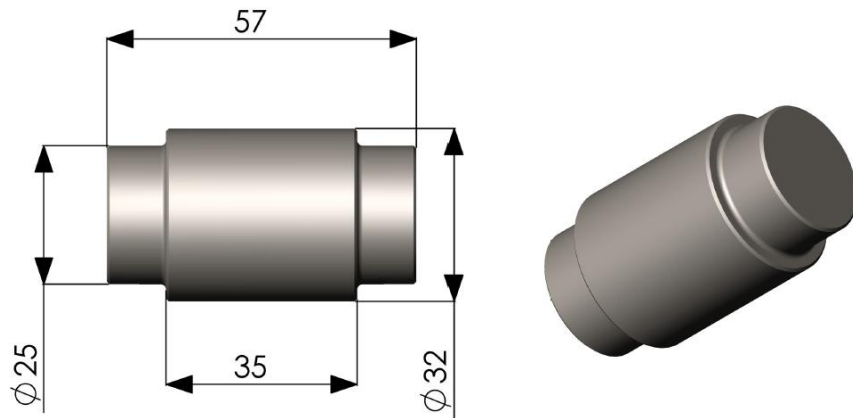
Item	Description	Part No.
1	Pole Wheel (80tooth)	61787
2	Sensor Block	61781F
3	Dust Cover Grommet	61557
4	90° Sensor Lead & Bush	61790F



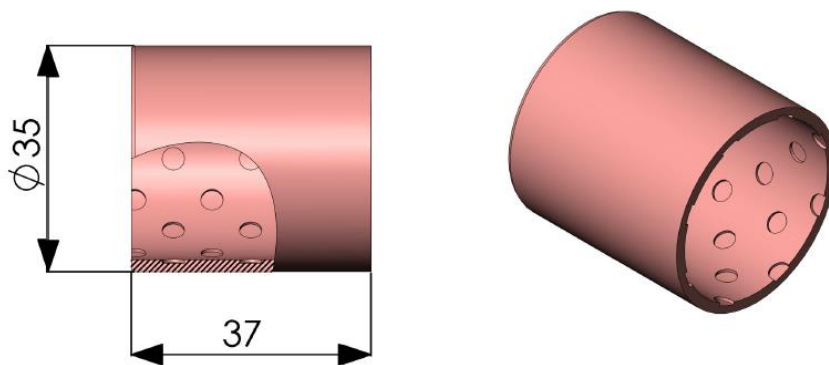
Centre of the ABS sensor is 86mm from centre of the axle
Face of sensor block 23.5mm from large bearing shoulder
Weld on ABS block (as shown above) is positioned 90 degrees to camshaft.



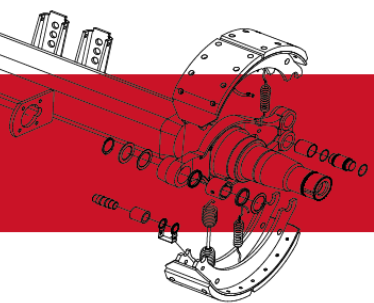
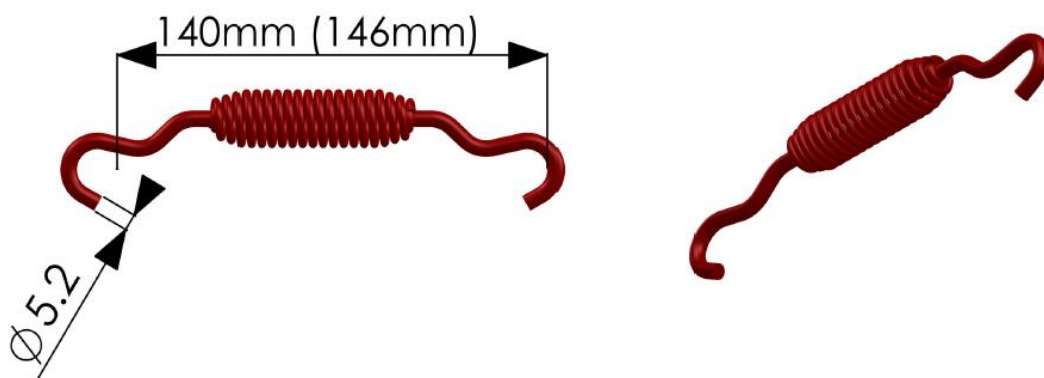
61171 – Anchor pin



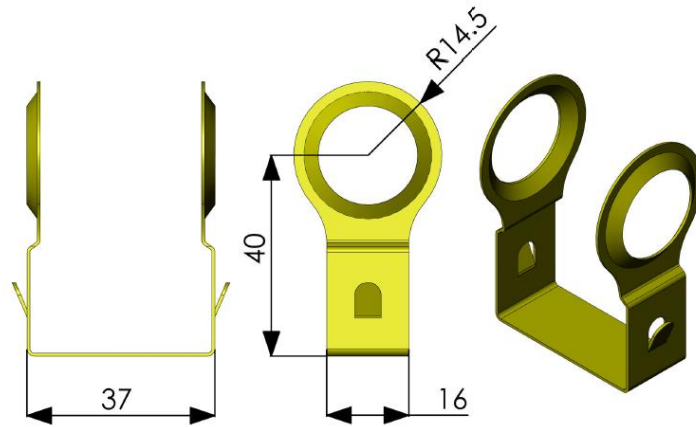
61200B – Bush Anchor Pin



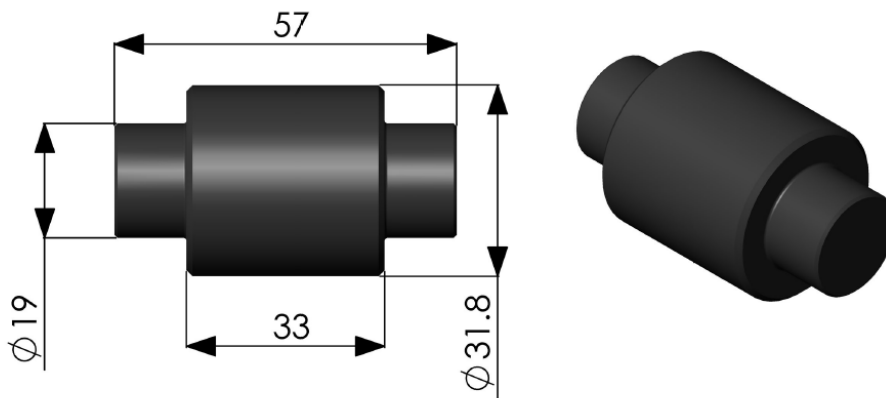
61141 – Brake Shoe Retaining Spring



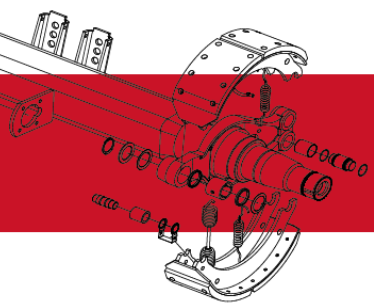
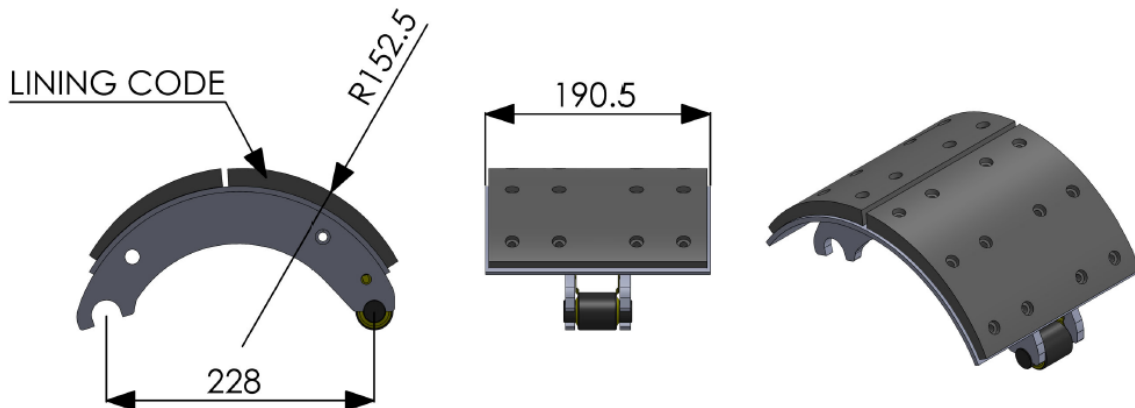
61220 – Retainer Cam Roller



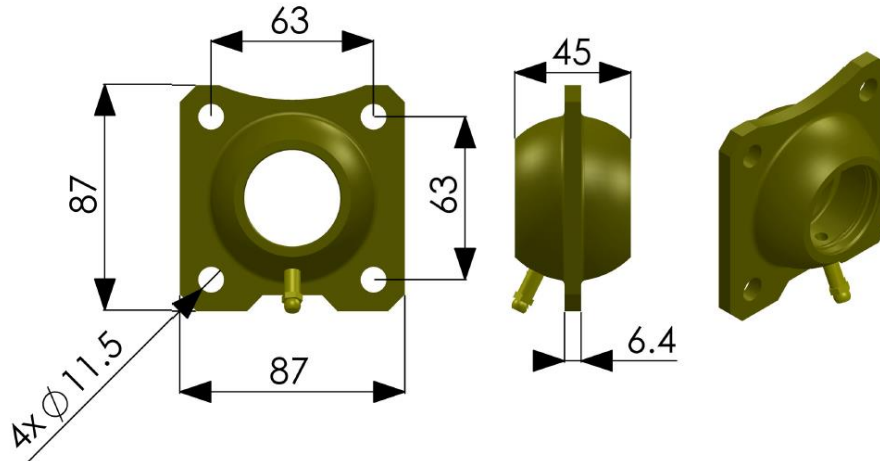
61235 – One Piece Cam Roller



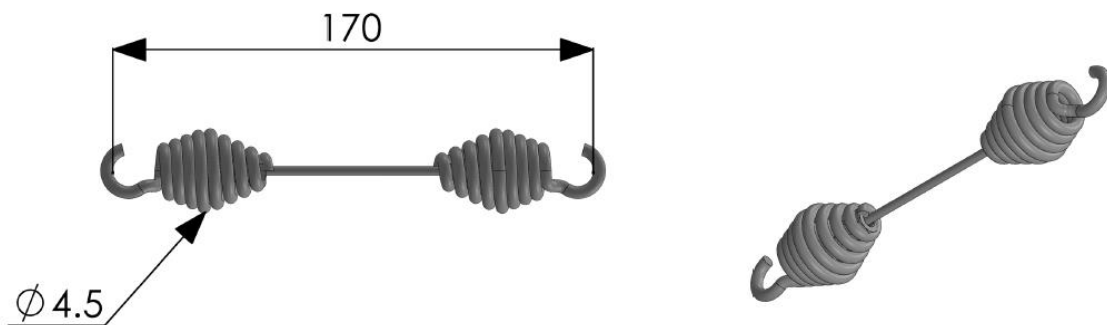
61542FA – Brake shoe with spring anchor bar and cam roller (FWE11)



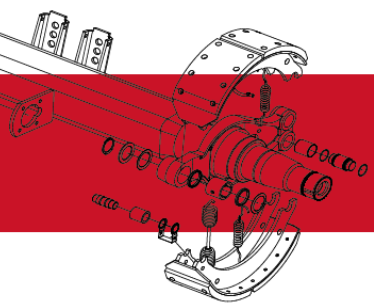
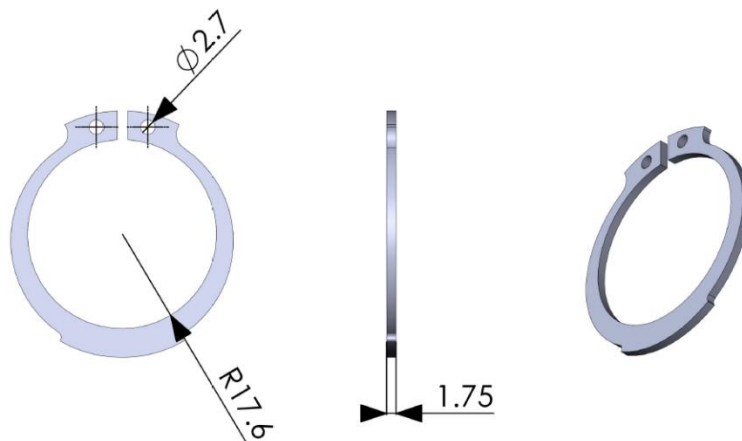
61080 –Camshaft Spherical Bearing



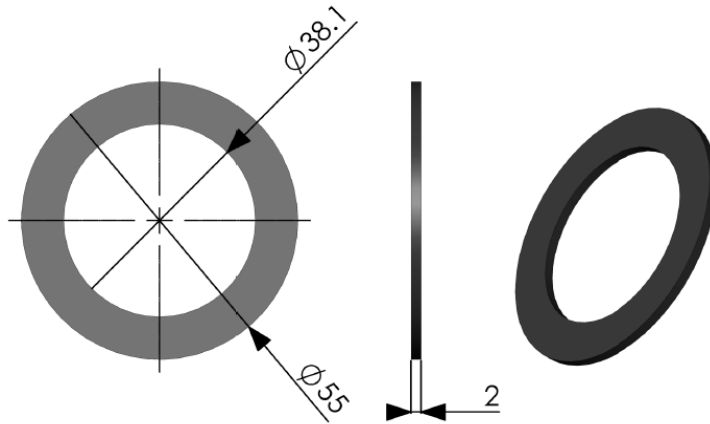
61660 – Spring Return



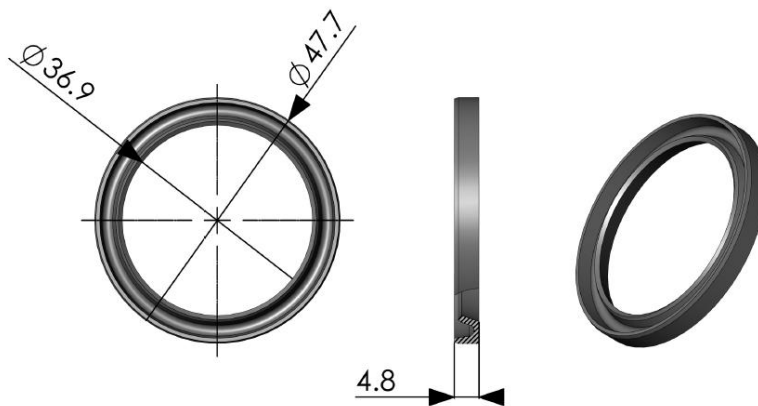
61120- Circlip



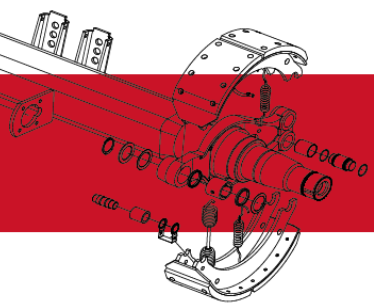
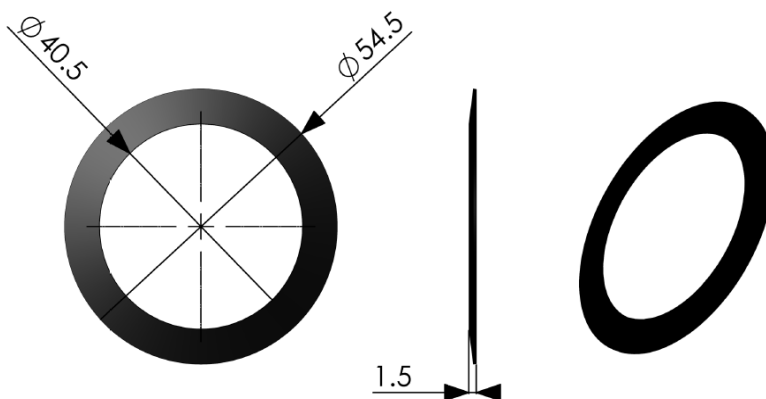
61058 - Camshaft Support Washer



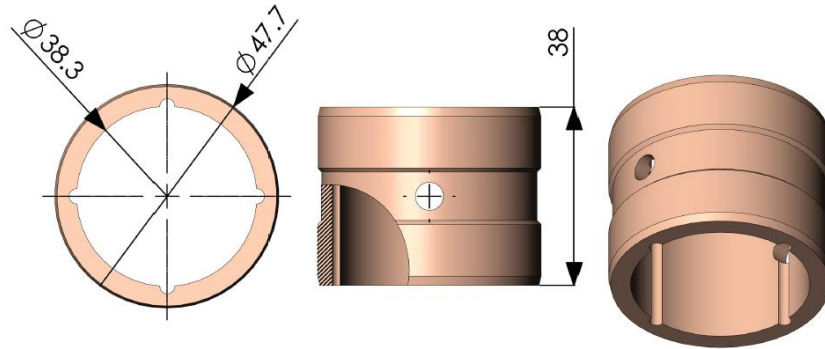
61056 - Camshaft Grease Seal



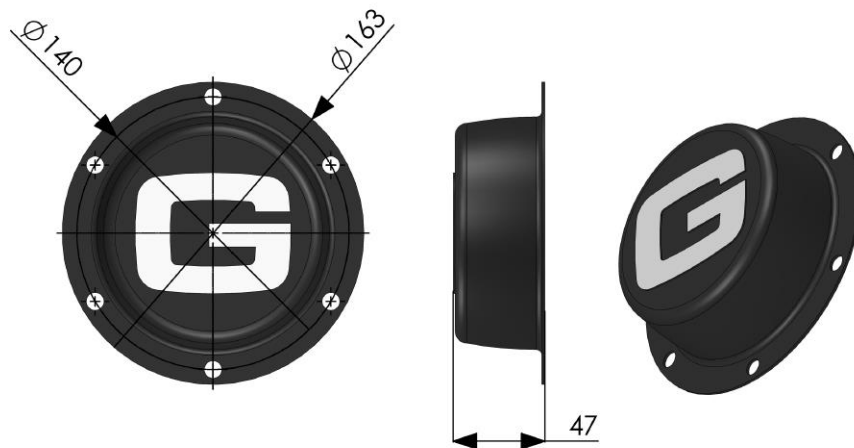
61057 - Camshaft Beveled Washer



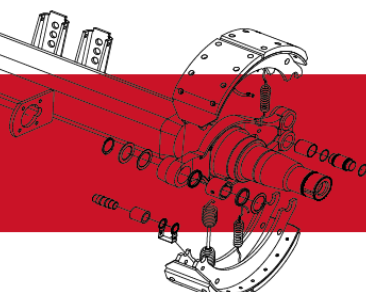
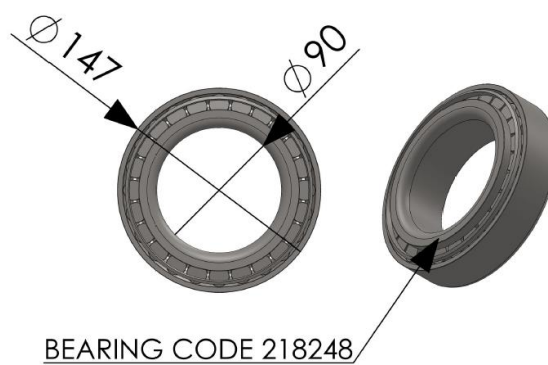
61055 - Camshaft Sintered Bush



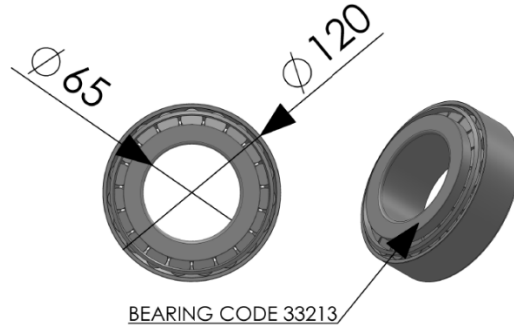
61322F - G Hub Cap Pressing



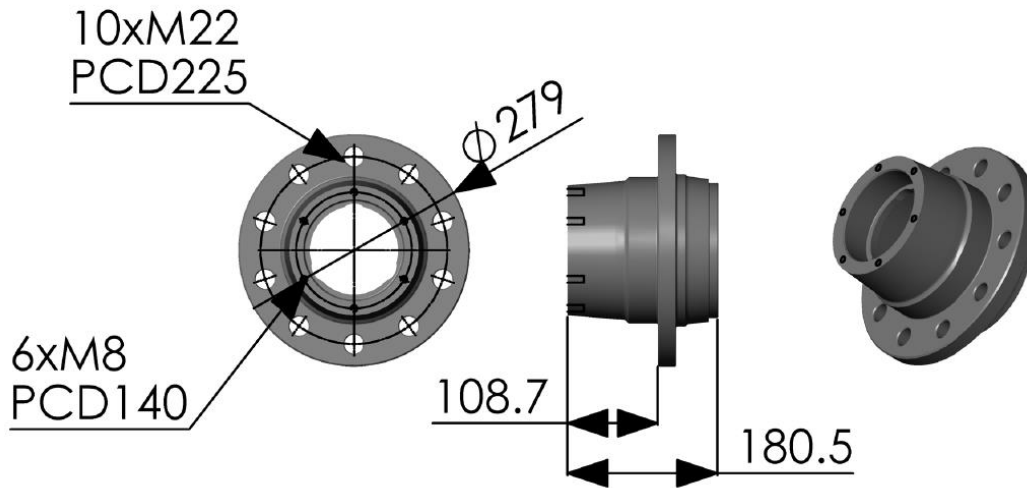
61260F- Inner bearing and cone



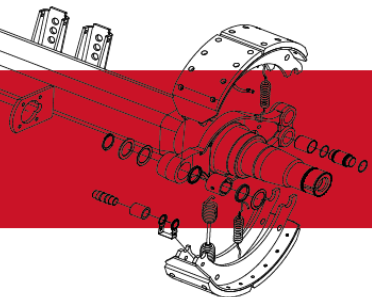
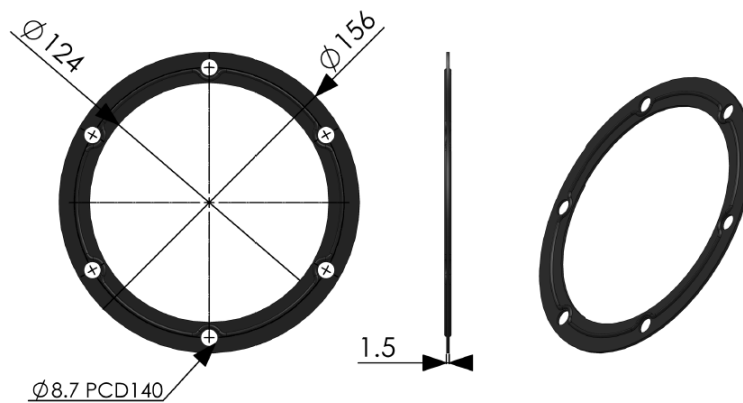
61270F- Outer bearing and cone



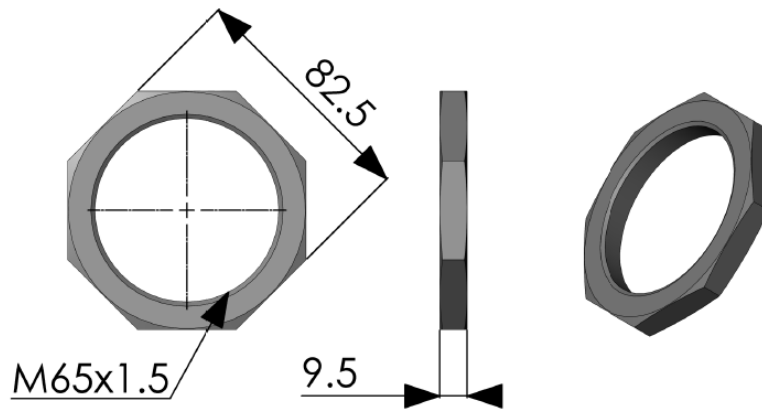
61520F- Hub



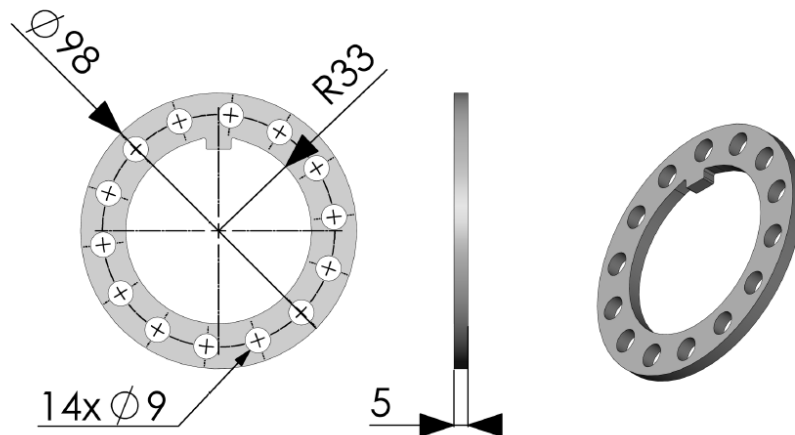
61330F- Gasket



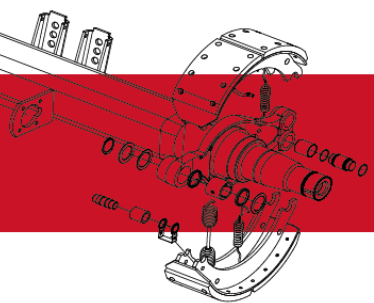
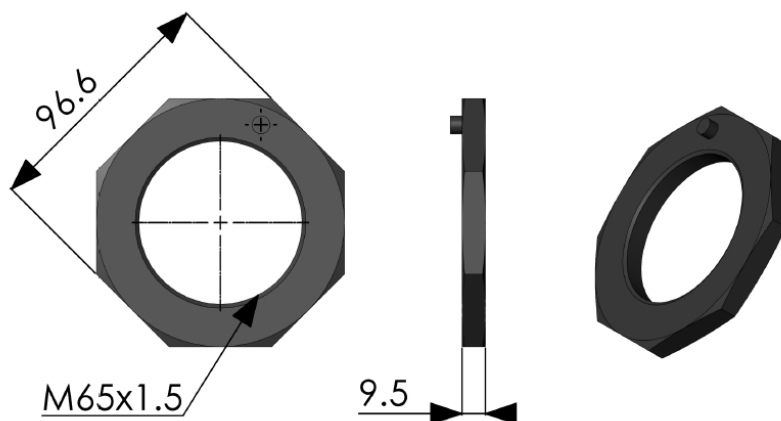
61310- Locknut



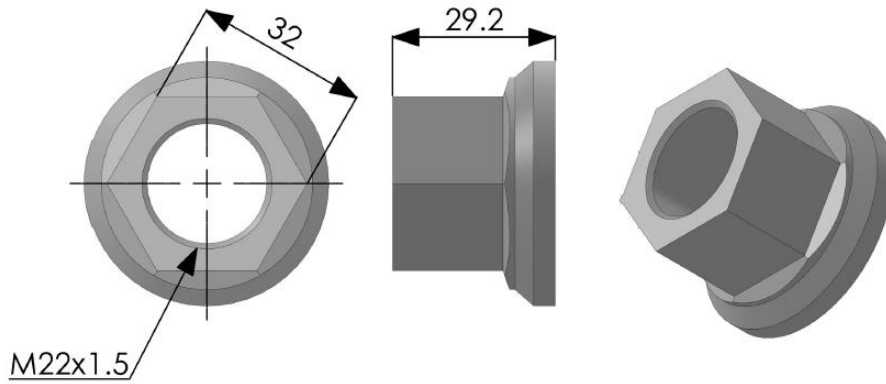
61300- Lock Washer



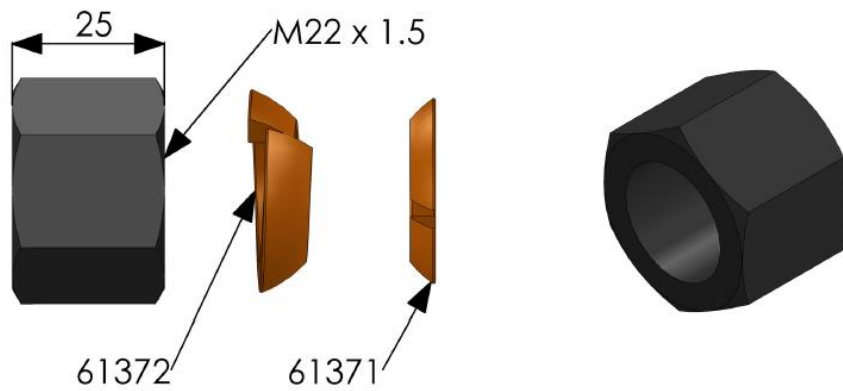
61290- Adjusting Nut



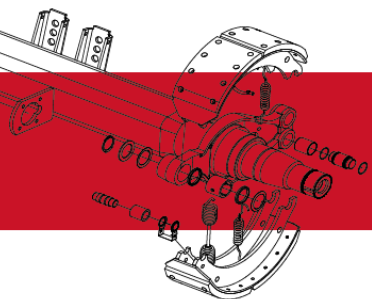
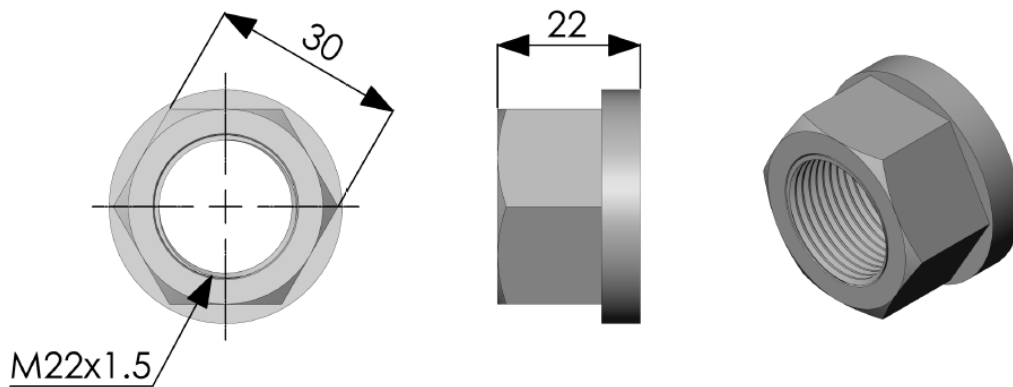
61381 – M22 ISO Wheel Nut



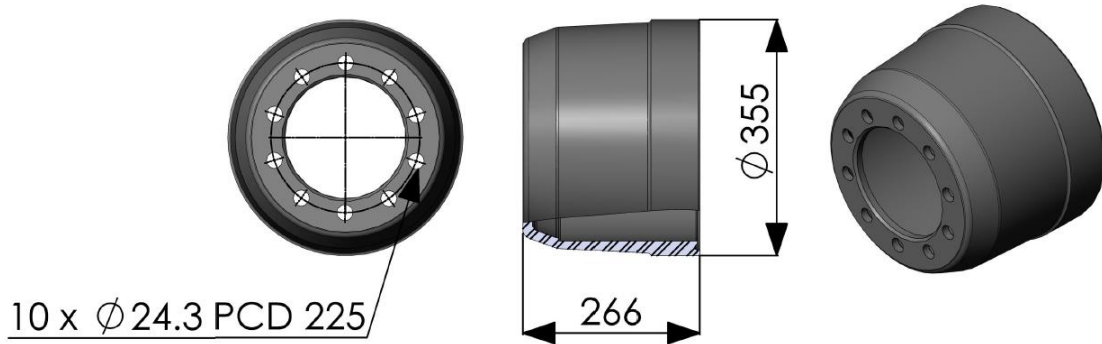
61383 – M22 DIN Wheel Nut + Washers (61372 & 61371)



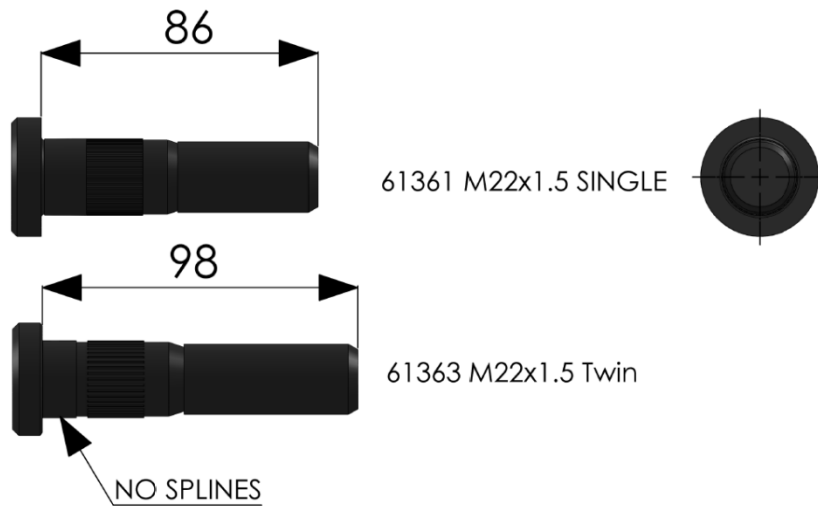
61411 – M22 DIN Wheel Nut



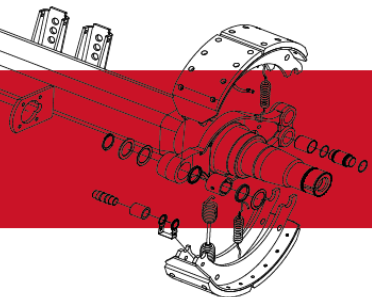
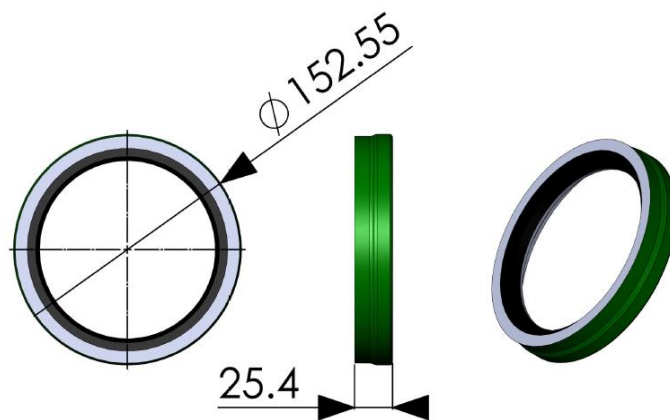
61530F- Brake Drum



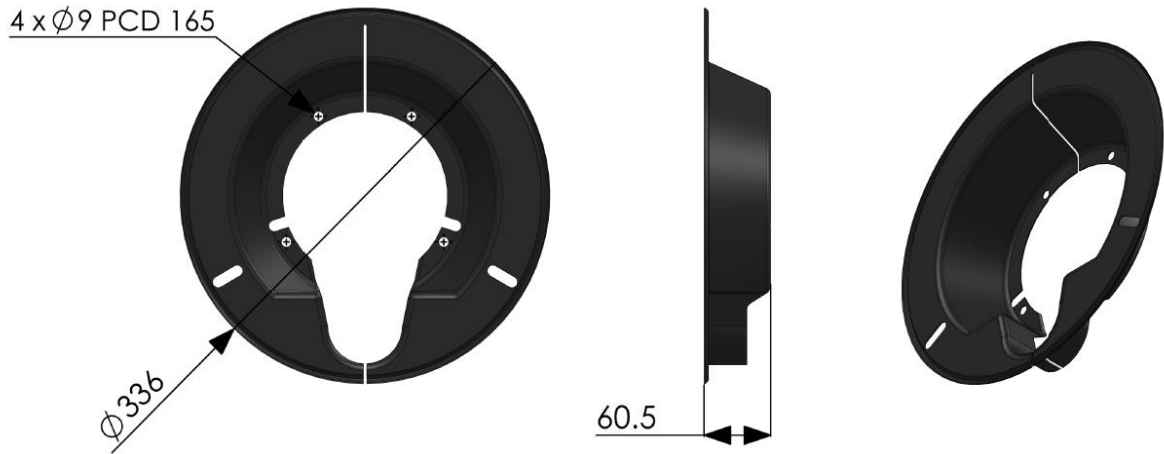
Wheel Bolt



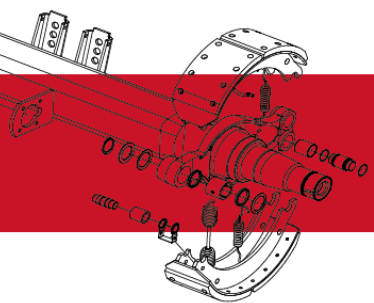
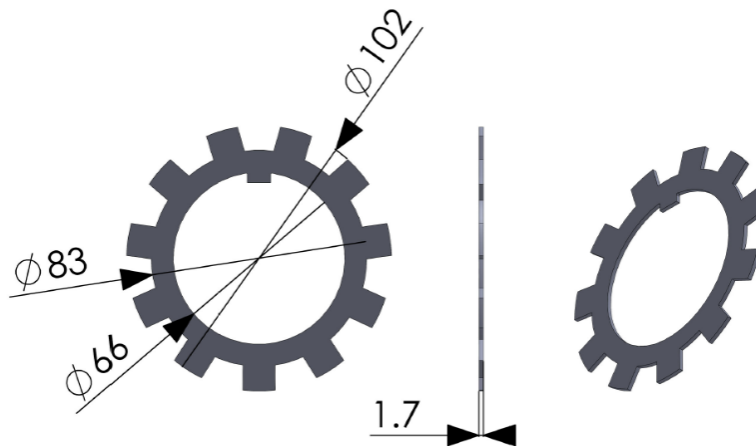
61282F - Unitised Grease Seal



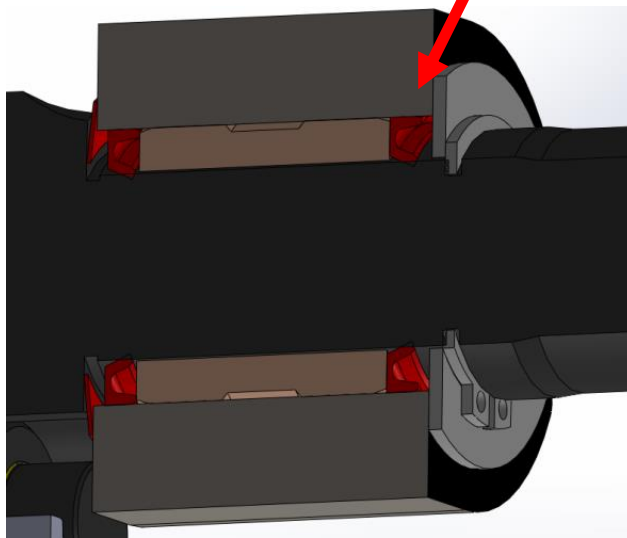
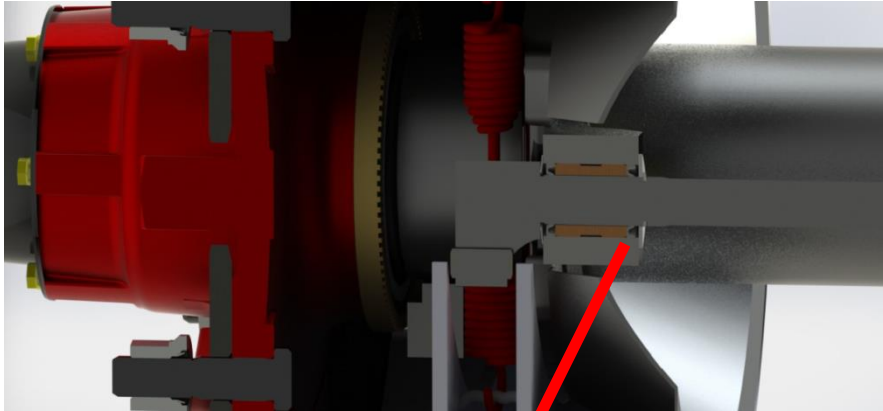
61620F - Dust Cover



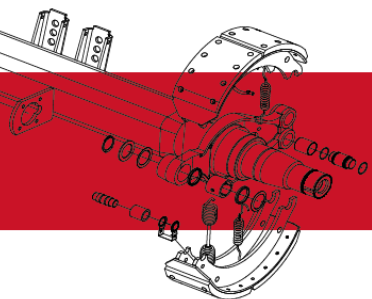
61311 - Tab Washer



Position of seals in the anchor bracket



The direction of the grease seals in the anchor bracket is important as well as the position of the beveled washer between the anchor bracket and camshaft head.



Ordering Of Sub-Assemblies

It is possible to order sub-assemblies of parts from Granning rather than ordering individual parts.

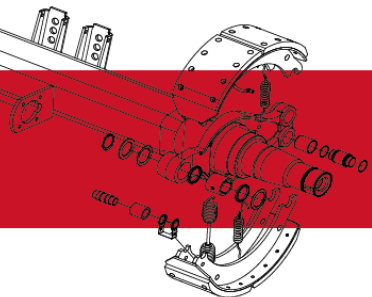


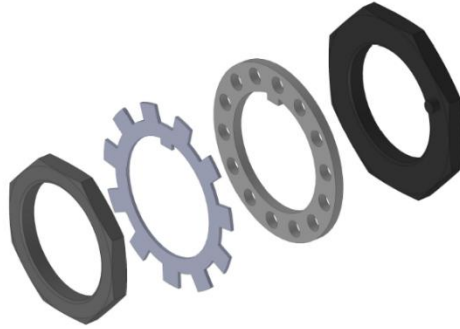
71003 – Single Wheel Stud Hub and Drum Assembly 71003W – 71003 with 1 x 80 tooth pole wheel 61787

Part Number	Quantity	Description
61530F	1	Drum
61520F	1	Hub
61270F	1	Outer Bearing
61260F	1	Inner Bearing
61361	10	Single wheel stud
61381Z	10	ISO wheel nut
61282F	1	Unitised grease seal

71000 – Twin Wheel Stud Hub and Drum Assembly 71000W – 71000 with 1 x 80 tooth pole wheel 61787

Part Number	Quantity	Description
61530F	1	Drum
61520F	1	Hub
61270F	1	Outer bearing
61260F	1	Inner bearing
61383F	10	Twin wheel stud
61381Z	10	ISO wheel nut
61282F	1	Unitised grease seal





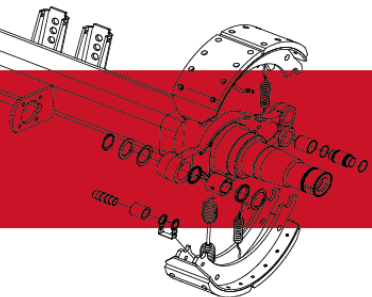
AK100 – Spindle Nut Kit

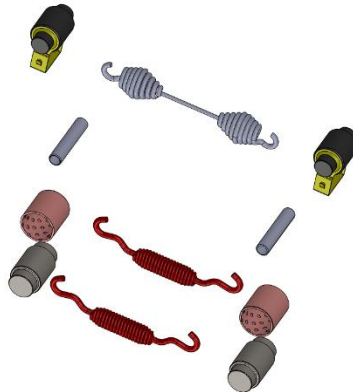
Part Number	Quantity	Description
61310	1	Locknut
61311	1	Tab Washer
61300	1	Lock Washer
61290	1	Adjusting Washer



AK102 – Hubcap Kit

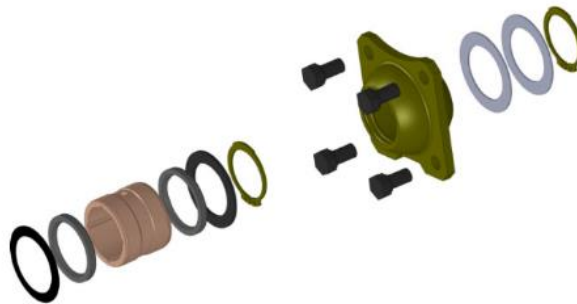
Part Number	Quantity	Description
61322F	1	Hubcap
61330F	1	Hubcap Gasket
96366F	12	M8 Serrated Washer
61358F	12	Screw M8x16 Fl. Head





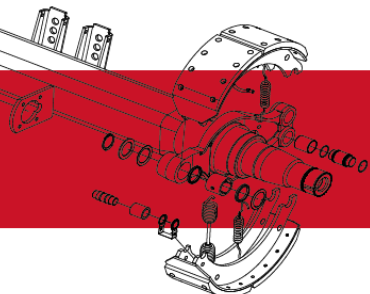
AK301 – Brake Shoe Kit (one side of axle)

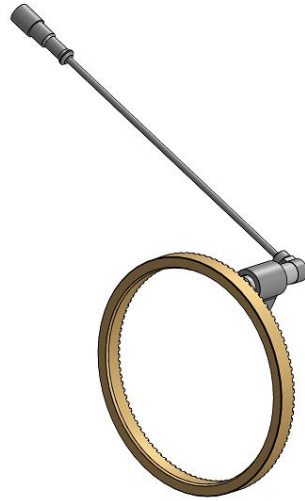
Part Number	Quantity	Description
61660	1	Return spring
61141	2	Brake shoe retaining spring
61341	2	Spring anchor bar
61235	2	One piece cam roller
61220	2	Retainer cam roller
61200B	2	Bush anchor pin
61171	2	Anchor pin



AK200 – Camshaft Bush Kit (one side of axle)

Part Number	Quantity	Description
61080F	1	Spherical bearing
61055	1	Camshaft sintered bush
61056	2	Camshaft grease seal
61057	2	Beveled camshaft washer
61058	2	Camshaft washer
61120	2	Camshaft circlip
96365F	2	Camshaft support washer
61359	4	M8 Hex bolt
96363F	4	Serrated washer
96364F	4	Spring washer





AK400 – ABS Kit (one side of axle)

Part Number	Quantity	Description
61787	1	Pole Wheel (80 tooth)
61781	1	Sensor Block
61790	1	90 Degree ABS Lead
61557	1	Dust Cover Grommet

We reserve the right to make changes to specifications or to make improvements to the products in this catalogue without prior notice. We are not responsible for inaccuracies or omissions.

