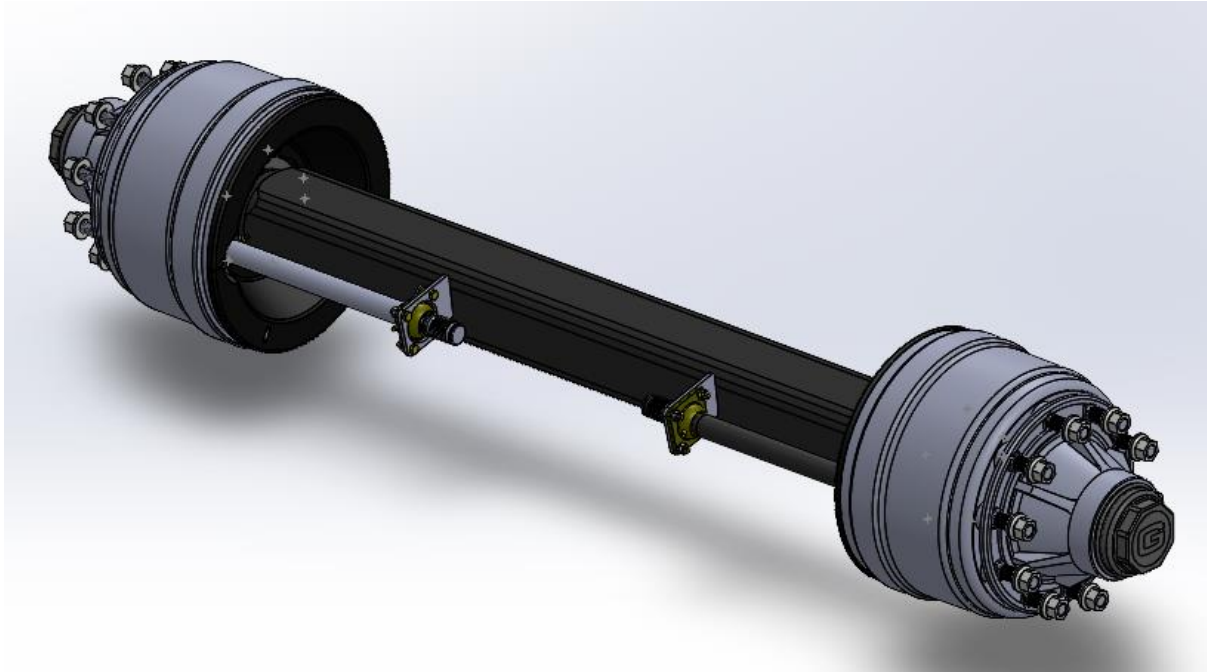


420X 220 – 550B SERIES AXLE



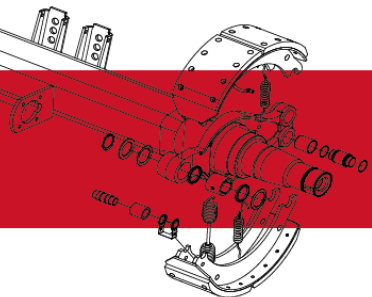
335mm PCD, 10 stud M24 hub and drum. 281mm hub pilot.

Available in single and twin wheel stud.

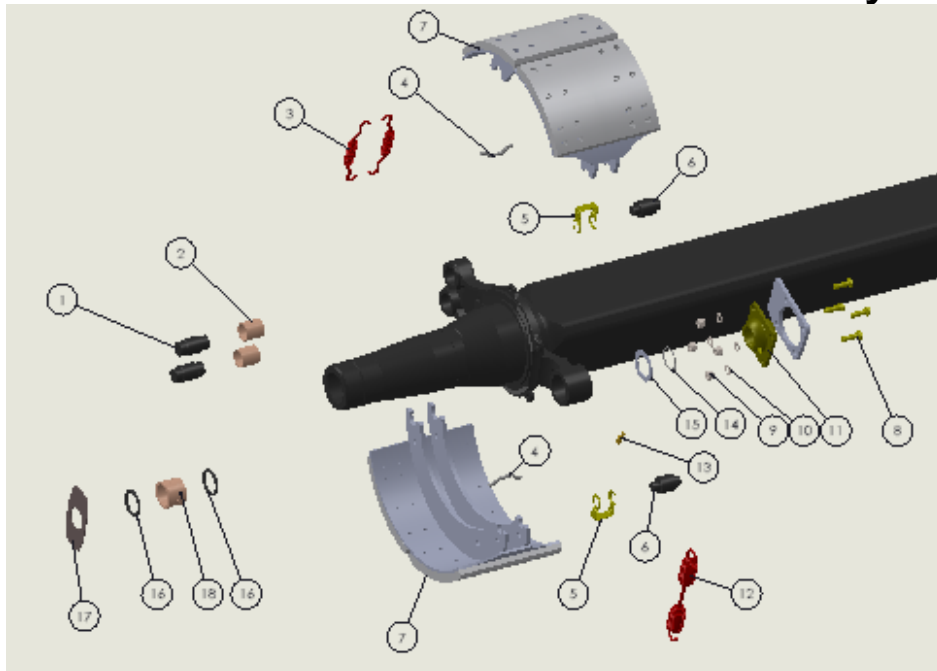
37 spline camshaft. 150mm Square Beam.

Service manual available on website

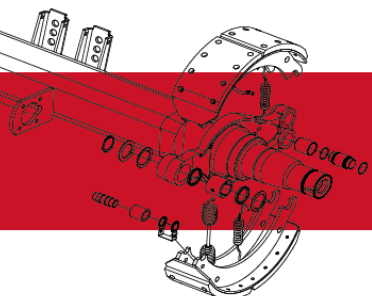
Please see following pages for part identification



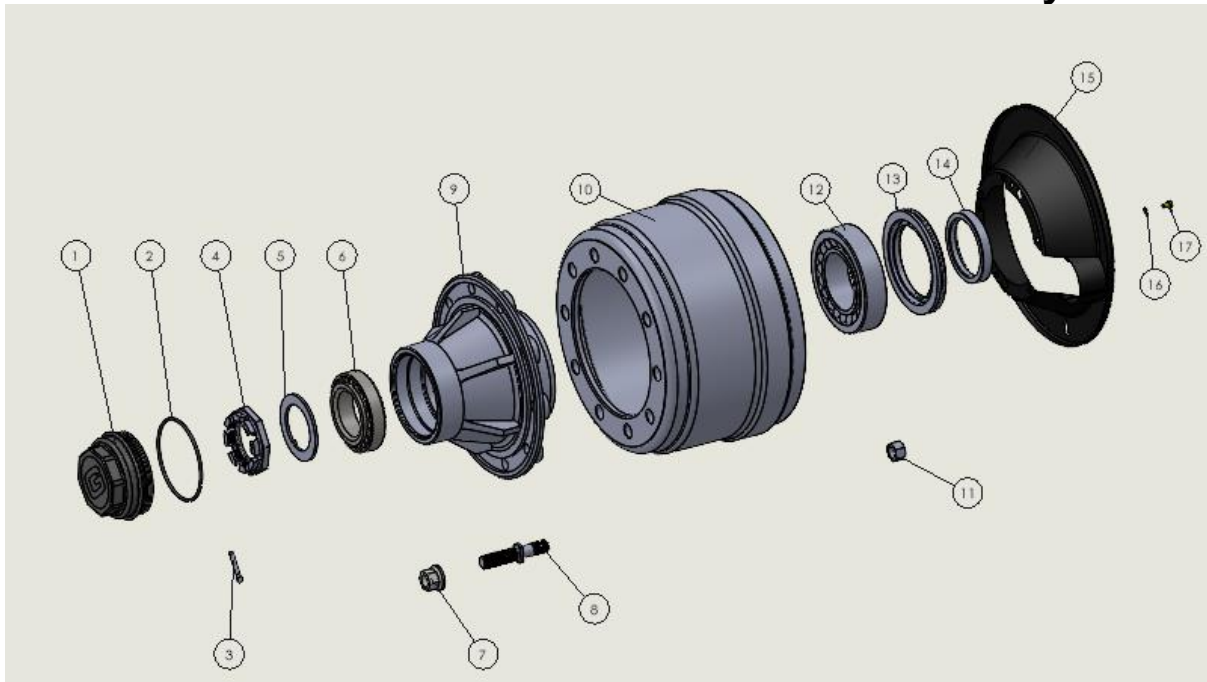
420 x 220 – 550B Series Brake Assembly



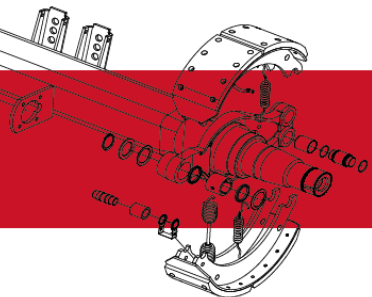
Item	Description	Part No.	QTY per Axle.
1	Anchor Pin	20066	4
2	Anchor Pin Bush	20067	4
3	Brake Shoe Retaining Spring	20217	4
	Brake Shoe Assembly	20218PA	4
4	Spring Anchor Bar	61150	4
5	Retainer Cam Roller	20219	4
6	One Piece Cam Roller	61235	4
7	Brake Shoe	20218	4
8	Hex Bolt M10x30	20111	8
9	M10 lock nut	20052	8
10	M10 washer	20051	8
11	Spherical bearing	20118	2
12	Return Spring	61140	2
13	Grease Nipple	20068	2
13a	Grease Nipple cover	20055F	2
14	Circlip	20043	4
15	Camshaft 2mm Washer	20216	2
16	Camshaft Grease Seal	20040	4
17	Camshaft Washer	20039	2
18	Camshaft Sintered Bush	20041	2
19	Slack adjusters pull off spring	61142	2



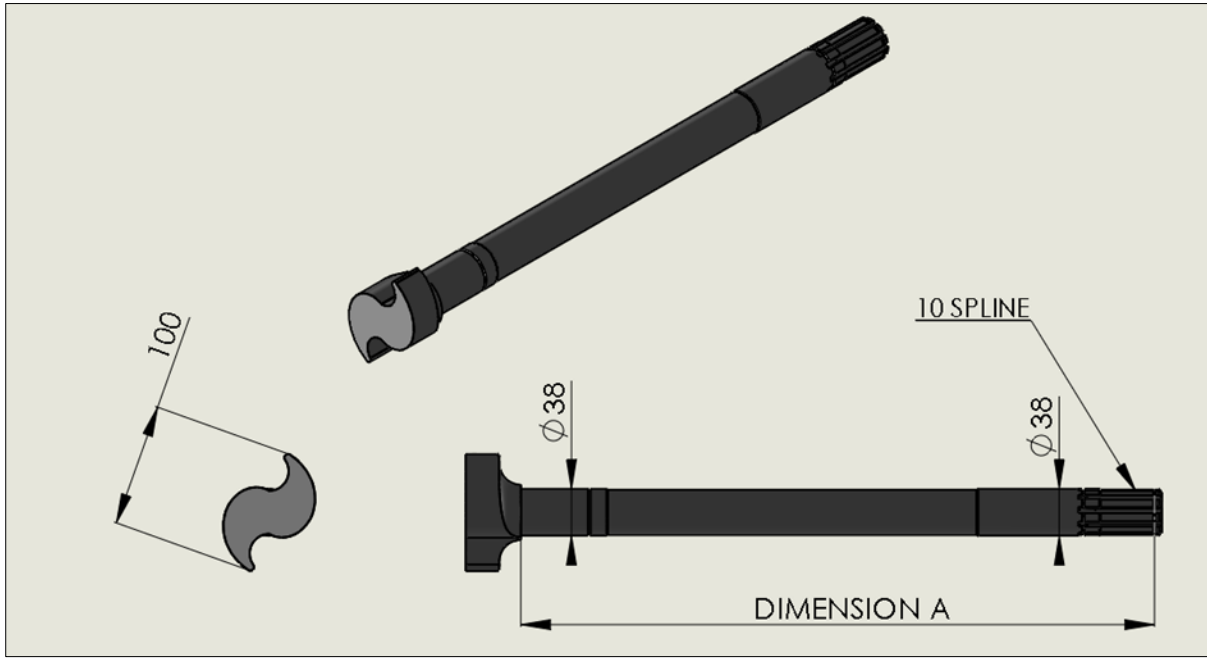
420 x 220 – 550B Series Wheel end Assembly



Item	Description	Part Number	QTY per Axle
1	Hub Cap	20130	2
2	Hub Cap Seal	20001	2
3	Hub Cap Split Pin	20059	2
4	Spindle Castle Nut	20060	2
5	Spindle Washer	20058	2
6	Outer Bearing (HM518410/445)	20002	2
7	ISO Wheel Nut M24	97643	20
8	Wheel Bolt – Single (76.5mm)	20222	20
8a	Wheel Bolt – Twin (89mm)	20223	20
9	Hub	20220	2
10	Internal Drum	20221	2
11	Internal wheel nut	20100	20
12	Inner Bearing (32222)	97638	2
13	Hub Oil Seal	20225	2
14	Oil Seal Sleeve	20212	2
15	Dust Cover	20226	2
16	Dust Cover Washer	20016	12
17	Dust Cover Bolt (M8)	61358F	12
18	Dust cover -plug	61556	4
19			



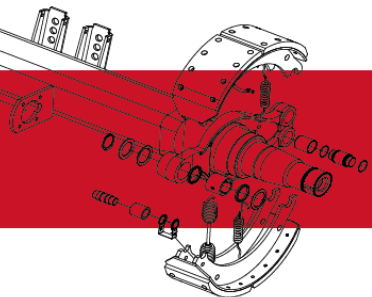
420 x 220 – 550B Series 37 Spline Camshaft Parts List



Dimension A	Part No.
580mm – Left Hand Large Head	20214
580mm – Right Hand Large Head	20215

Camshaft lengths are measured from under head to the Centre of last circlip groove.

The illustrated camshaft is a left hand camshaft. When looking at the head of the camshaft a right hand cam is Z shaped and a left hand is S shaped.

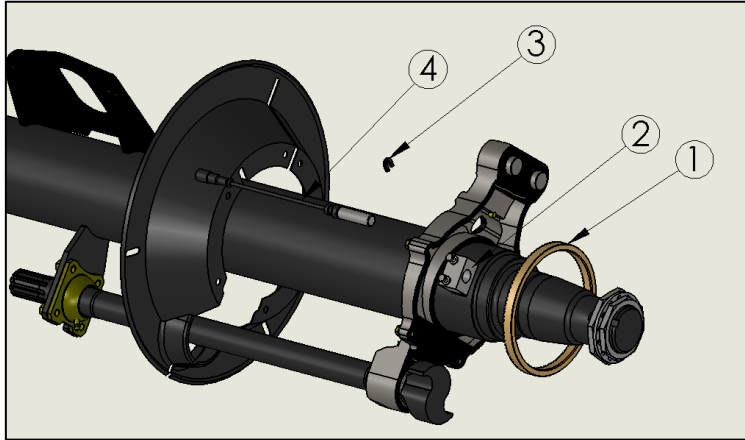




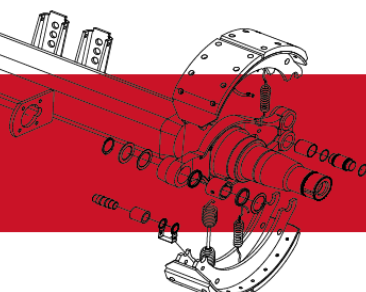
granning

axle and suspension solutions

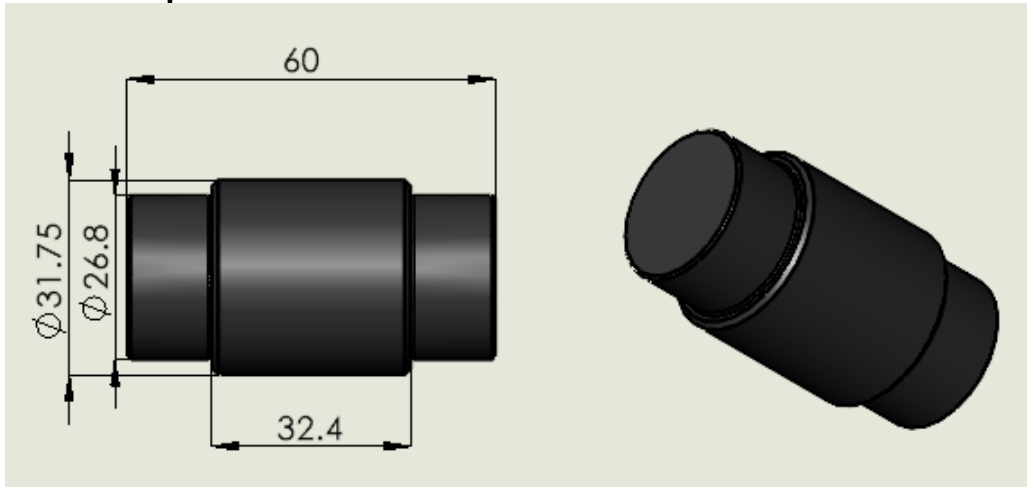
ABS/Anti-Lock Assembly



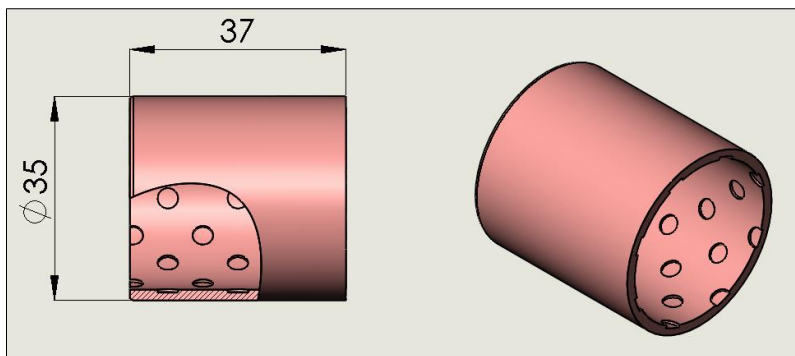
Item	Description	Part No.
1	Pole Wheel (100 tooth)	20224
2	Sensor Block	20213
3	Dust Cover Grommet	61557
4	Single Sensor Lead Kit (Sensor/Bush/Paste)	61790F



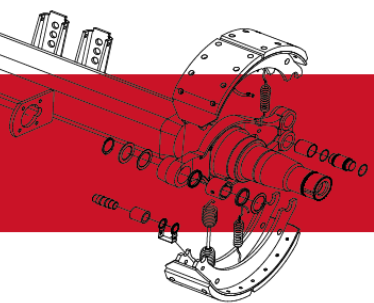
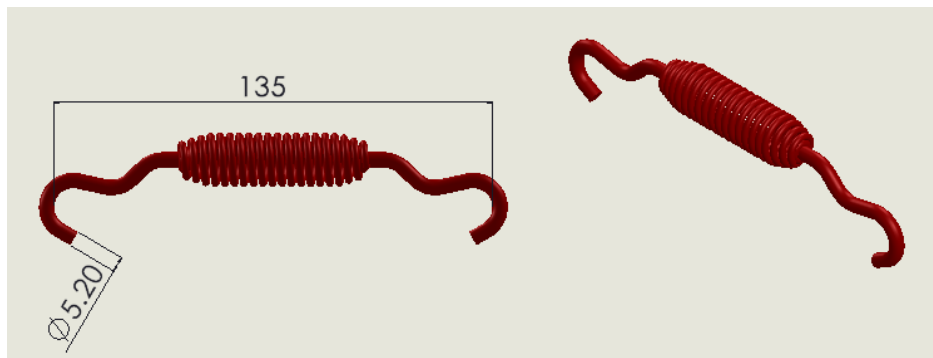
20066 – Anchor pin



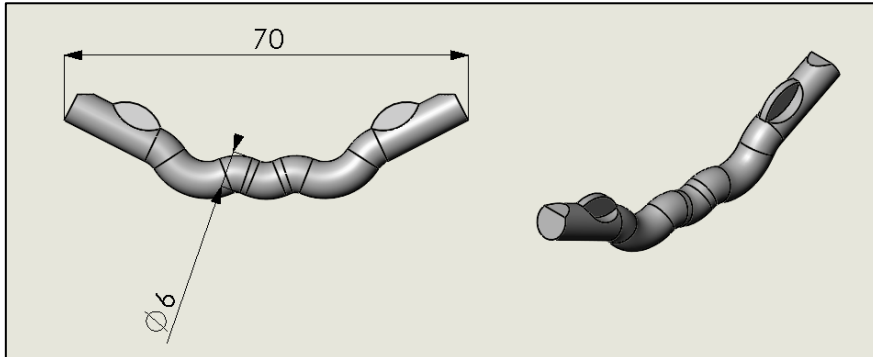
20067– Bush Anchor Pin



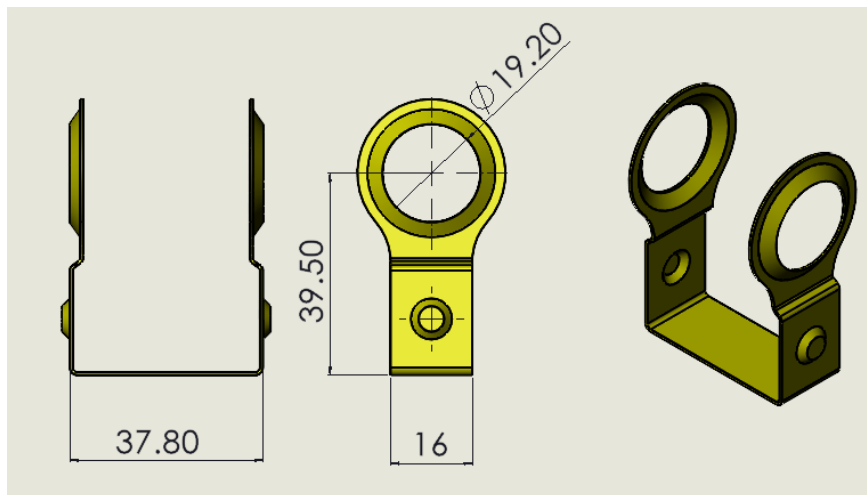
20217 – Brake Shoe Retaining Spring



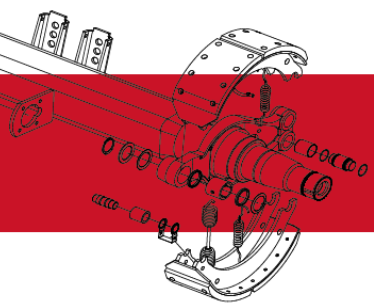
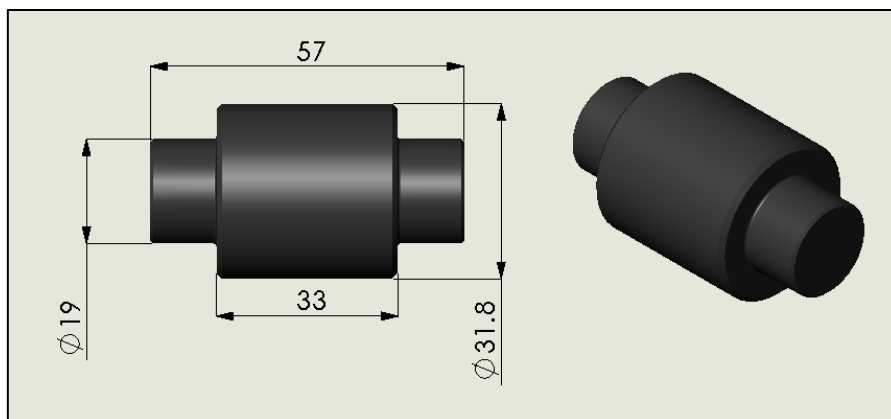
61150 – Spring Anchor Bar



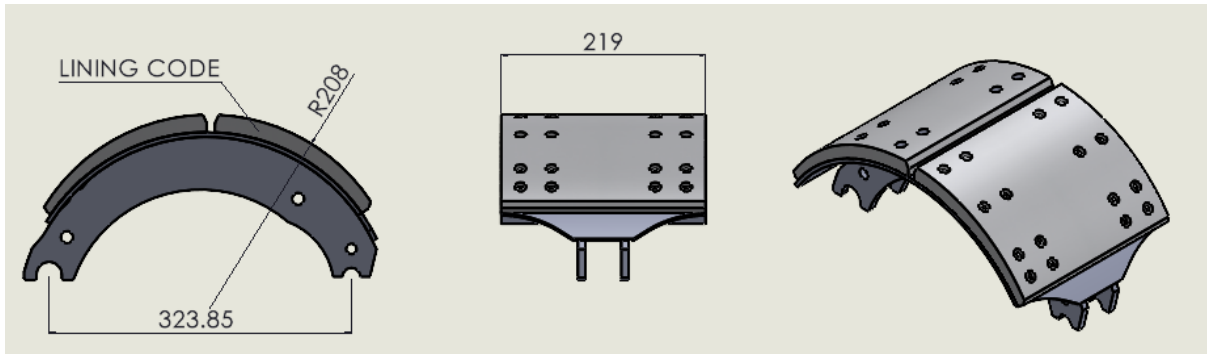
20219 – Retainer Cam Roller



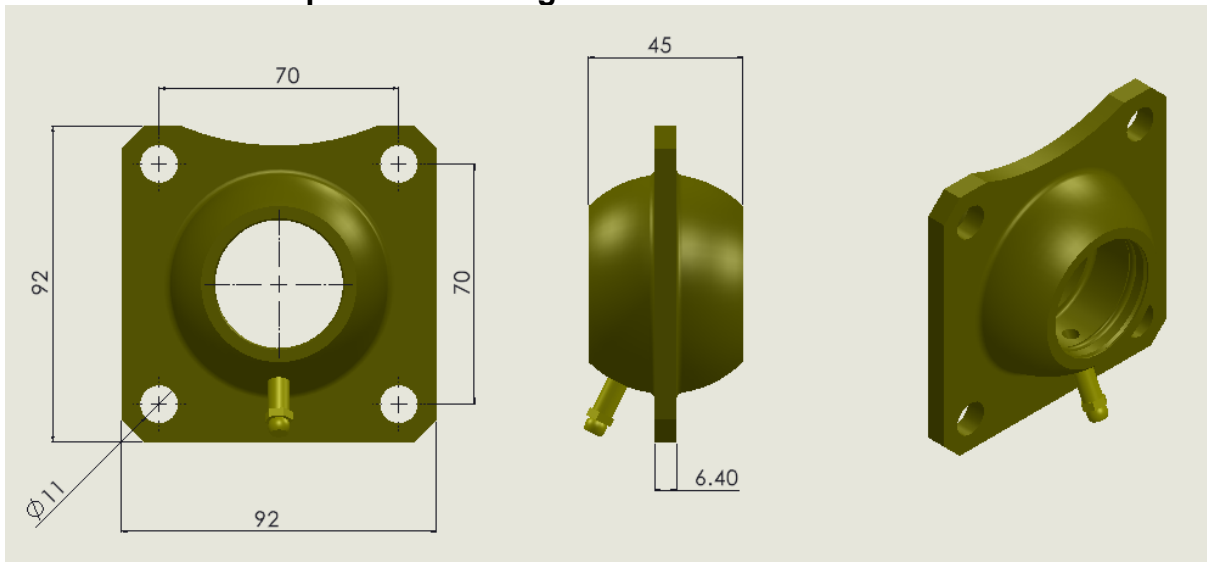
61235 – One Piece Cam Roller



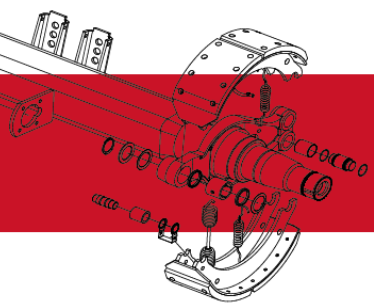
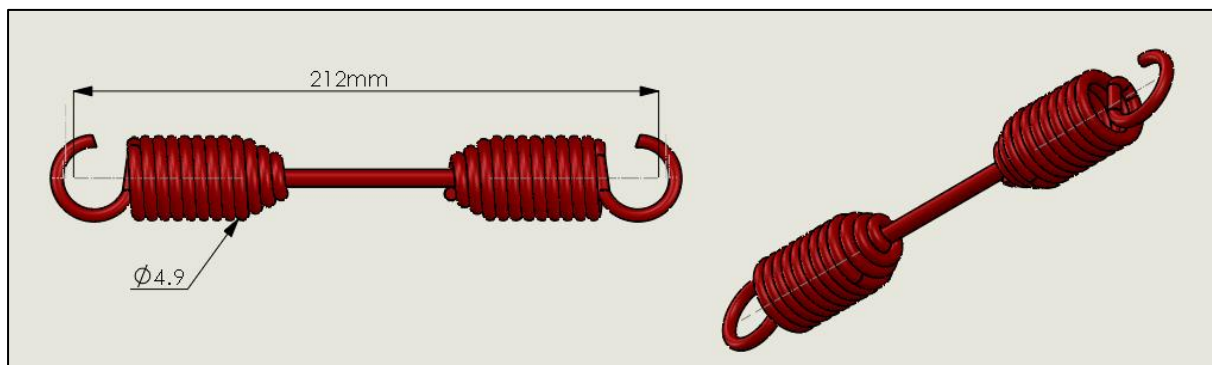
20218– Brake shoe



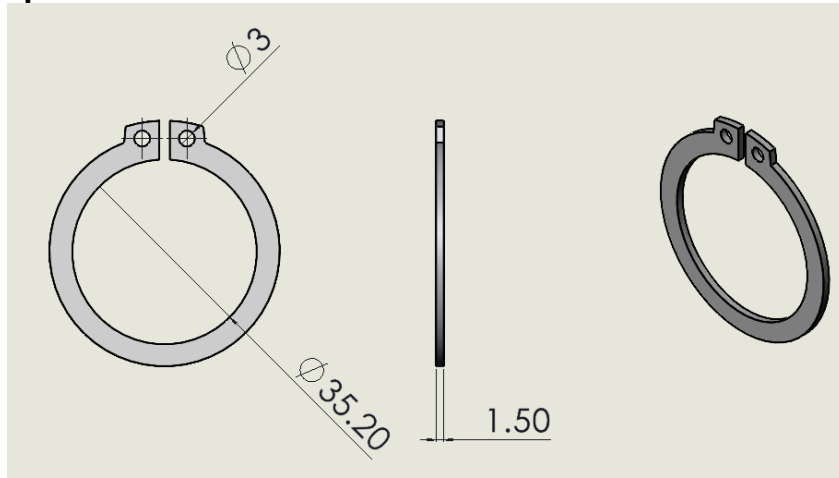
20118 – Camshaft Spherical Bearing



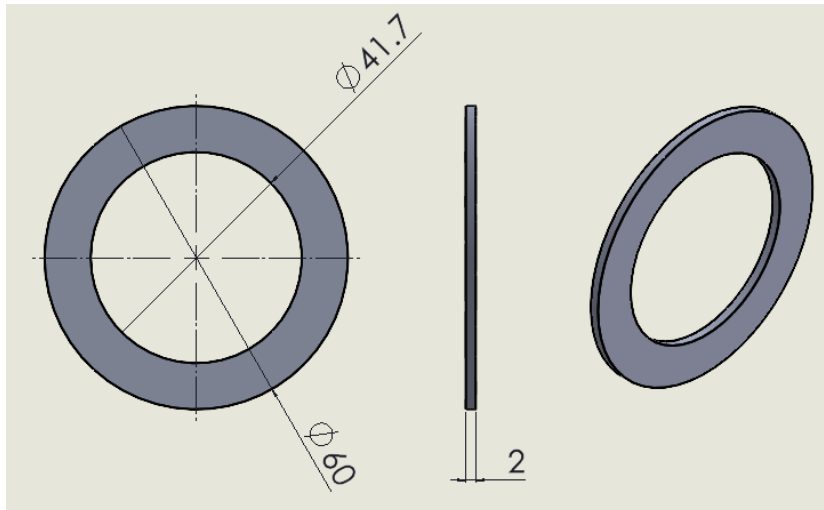
61140 – Spring Return



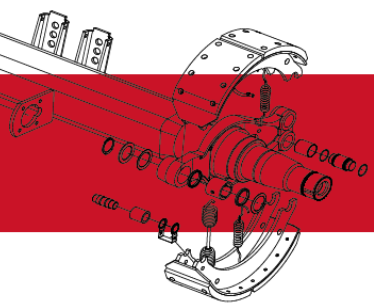
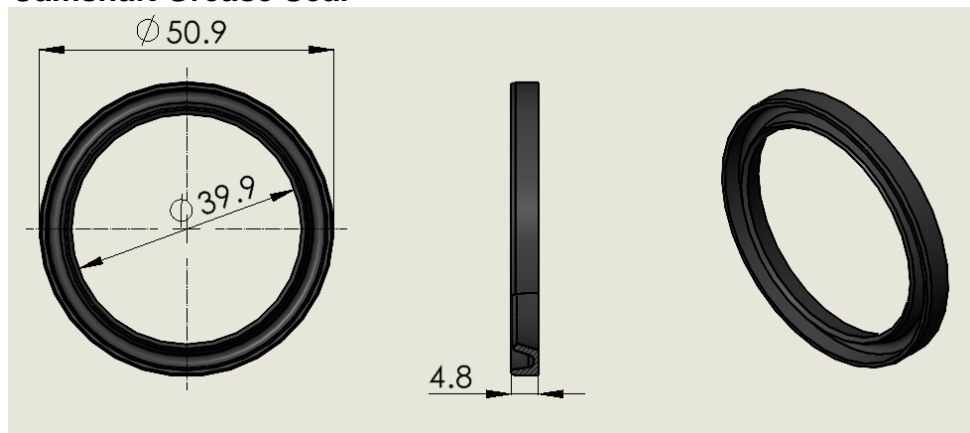
20043 - Circlip



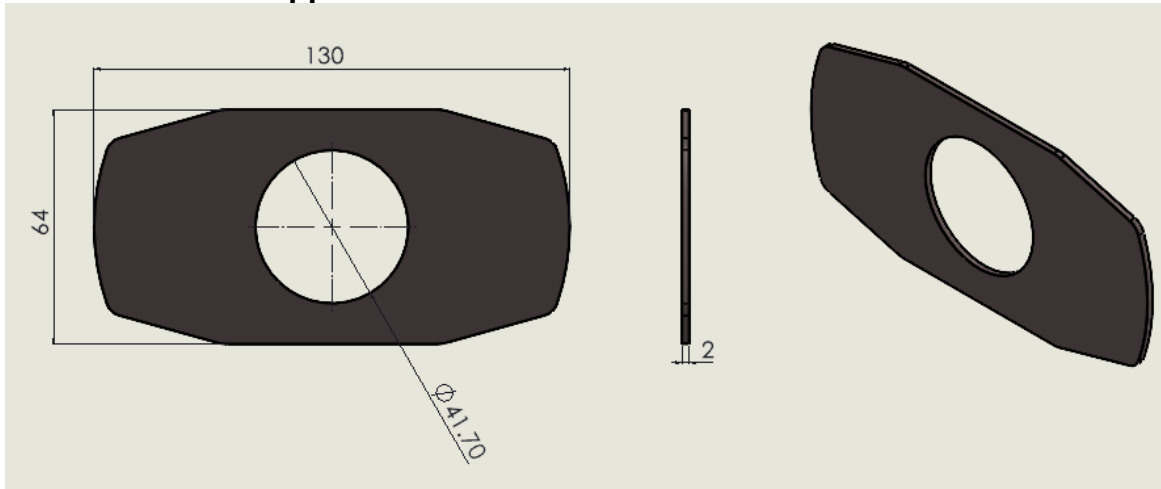
20216 - Camshaft 2mm Washer



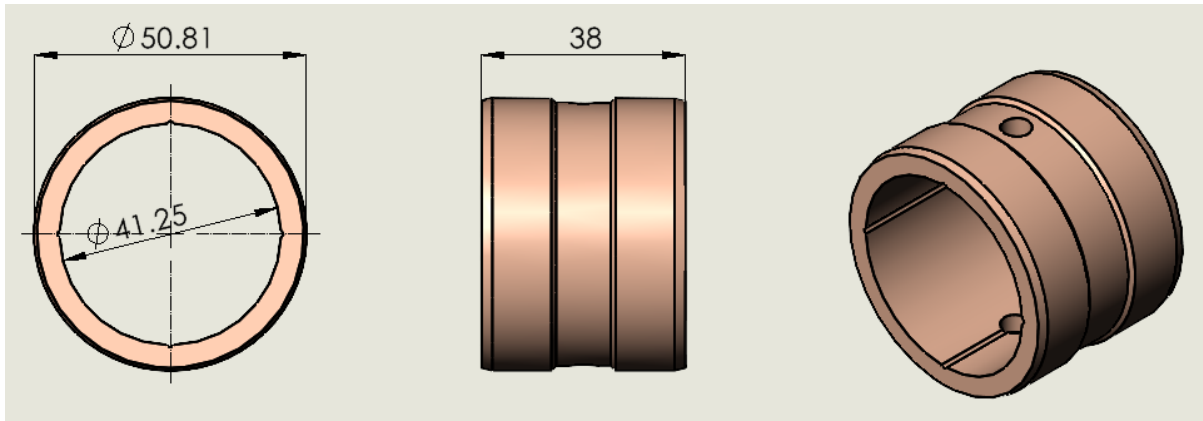
20040 - Camshaft Grease Seal



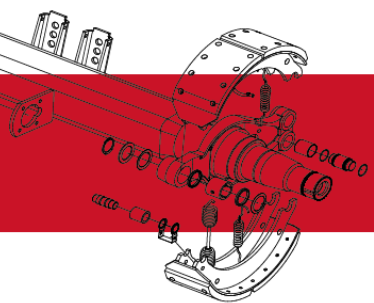
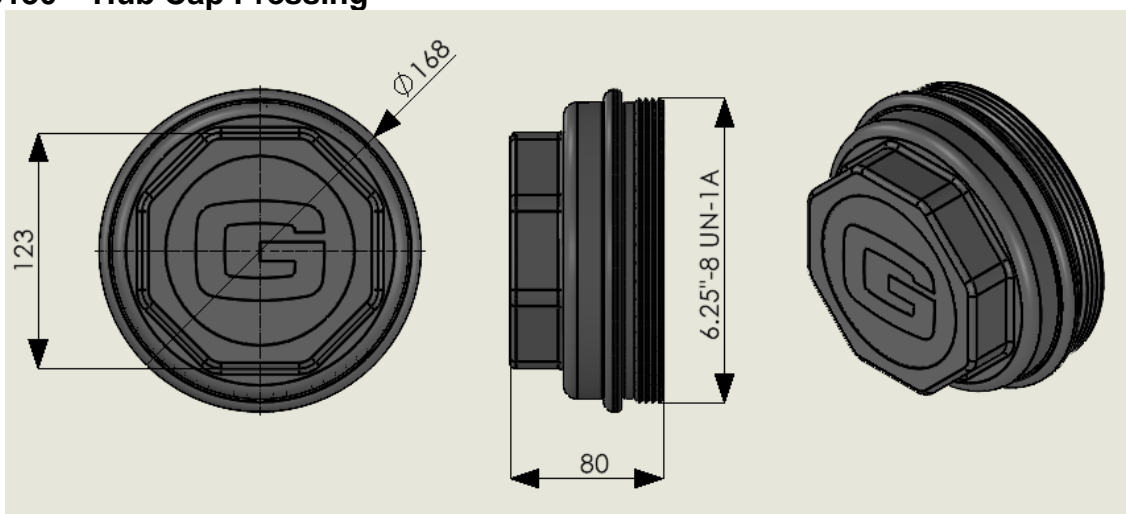
20039- Camshaft Support Washer



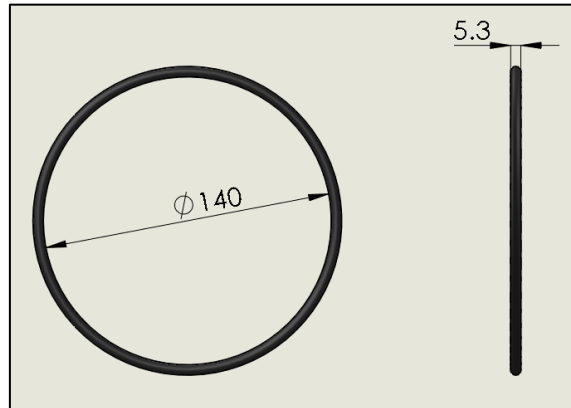
20041 – Camshaft Sintered Bush



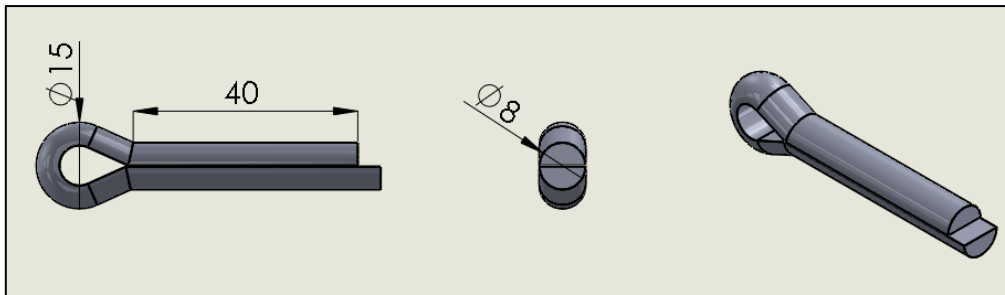
20130 – Hub Cap Pressing



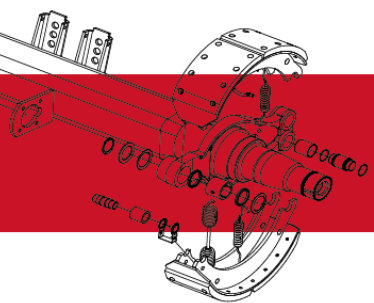
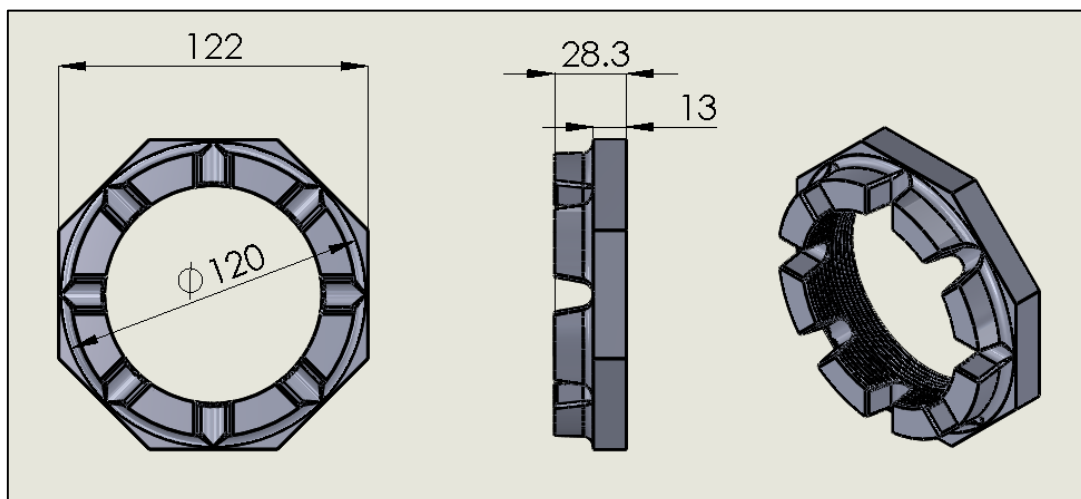
20001 – Hub Cap Seal



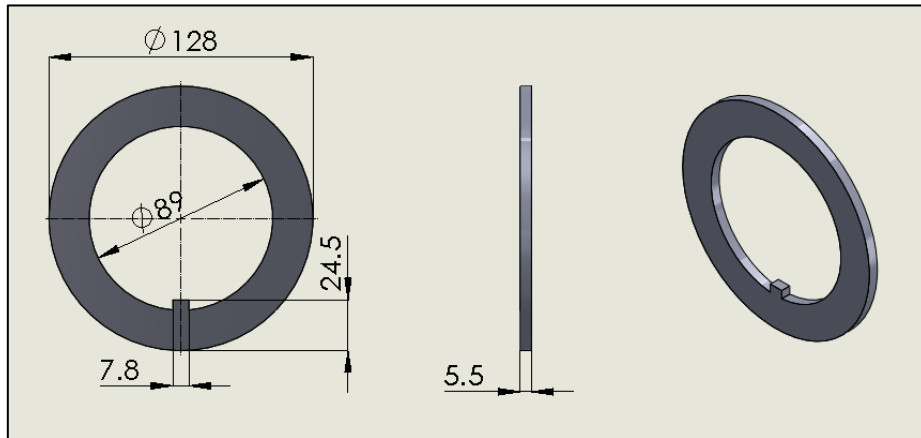
20059 – Spindle Split Pin



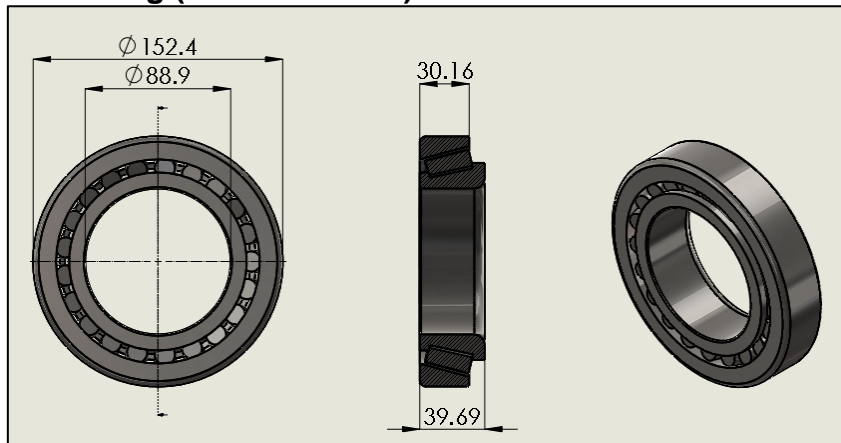
20060 – Spindle Castle Nut



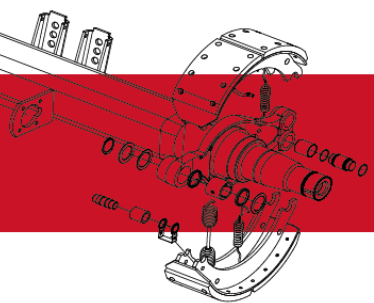
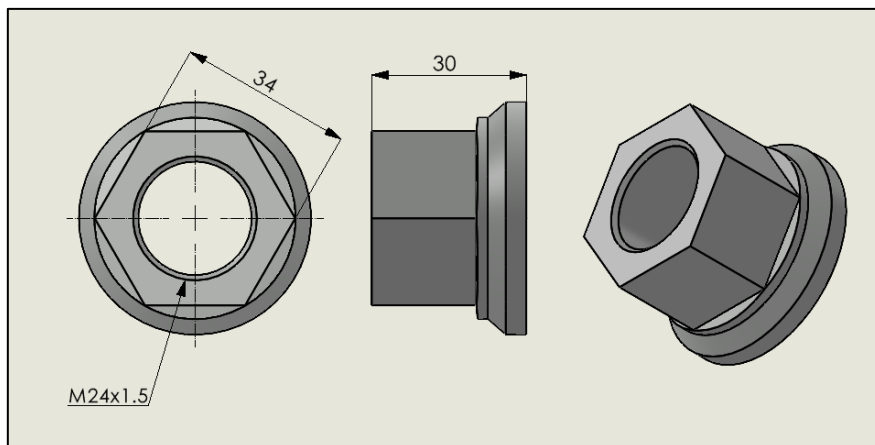
20058 – Spindle Washer



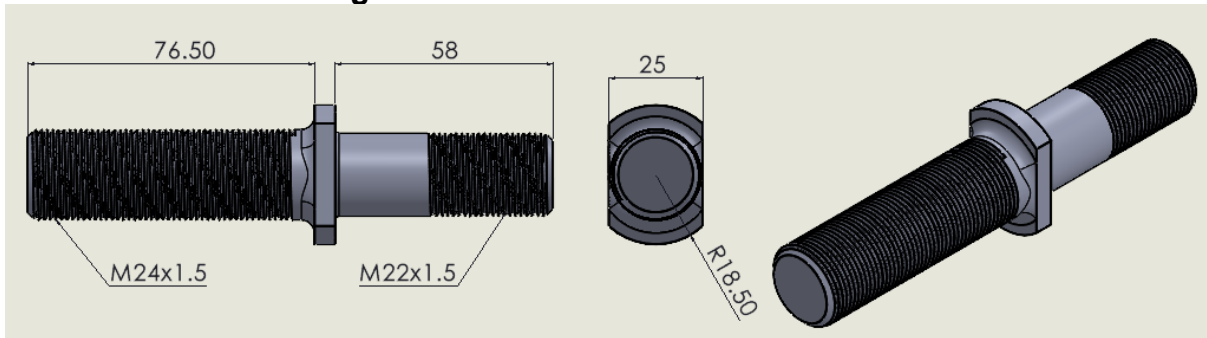
20002 – Outer Bearing (HM518410/445)



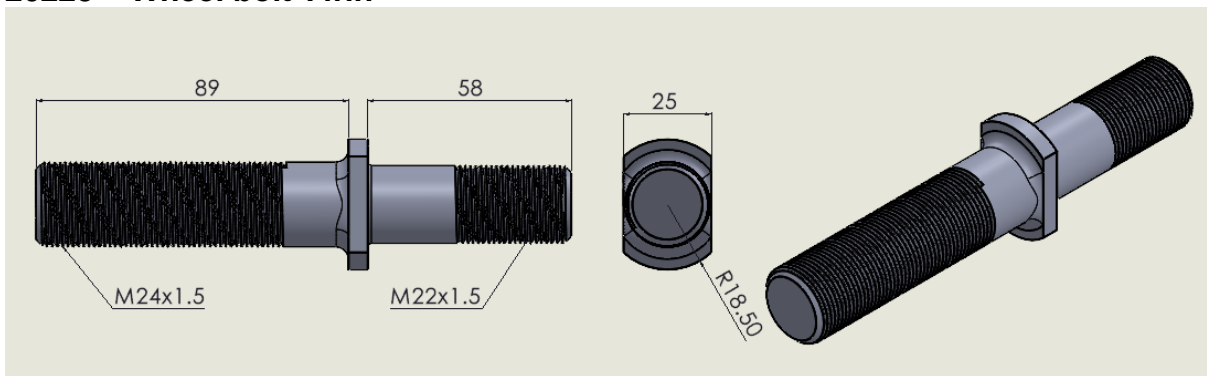
97643- M24 ISO Nut



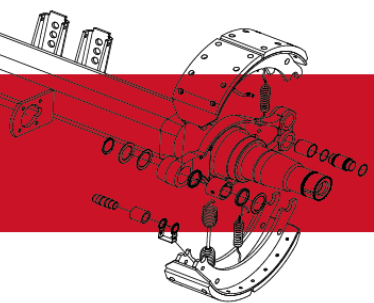
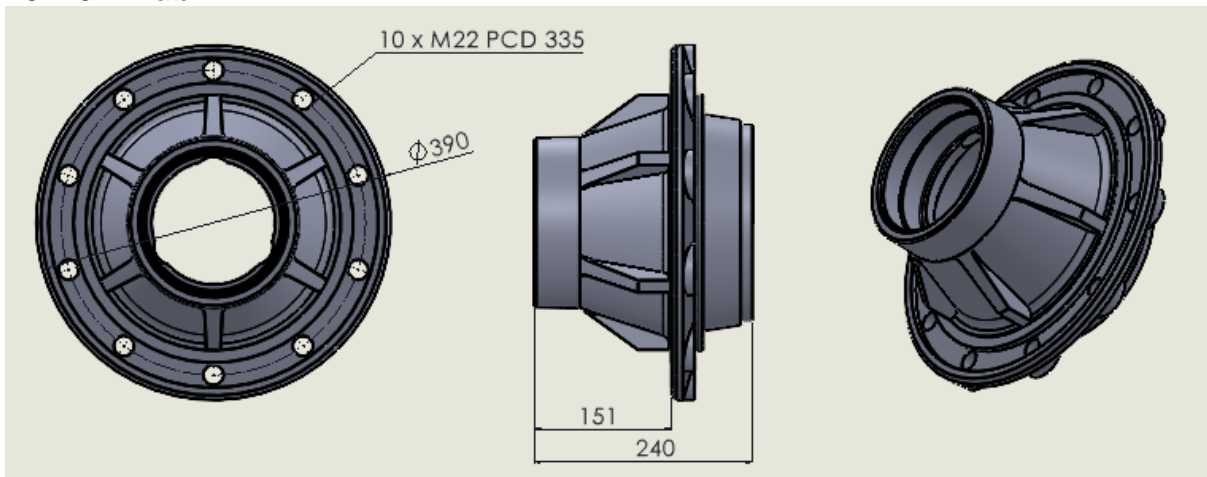
20222 – Wheel bolt Single



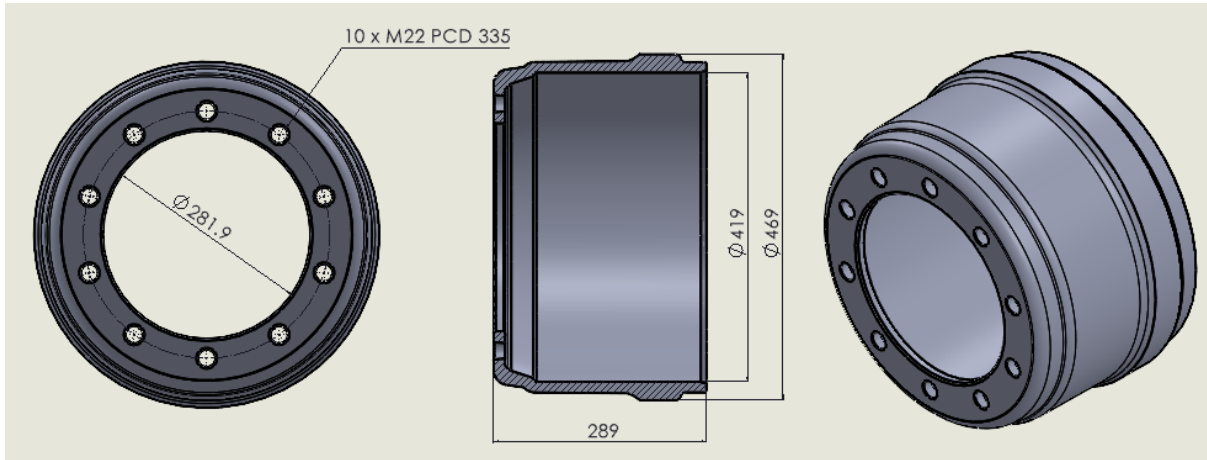
20223 – Wheel bolt Twin



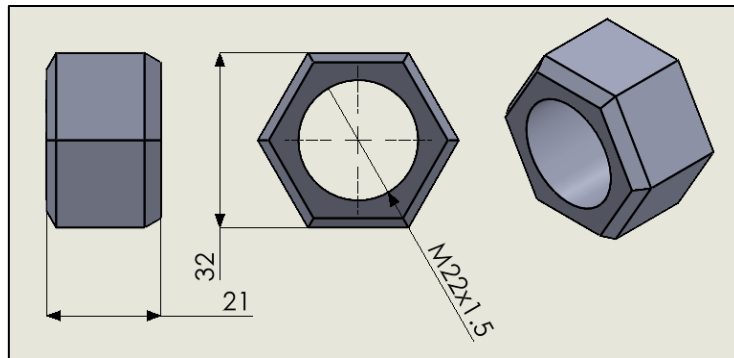
20220 – Hub



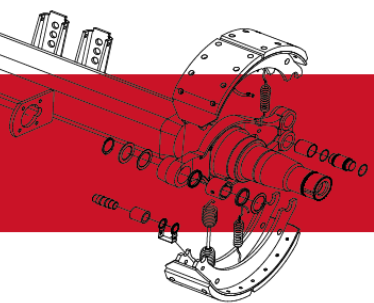
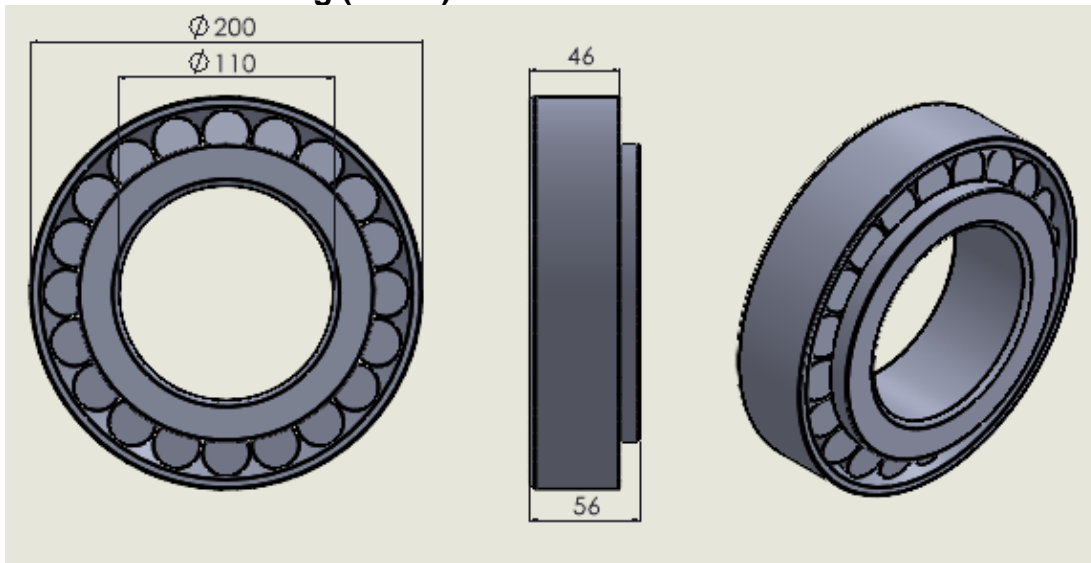
20221 – Internal Drum



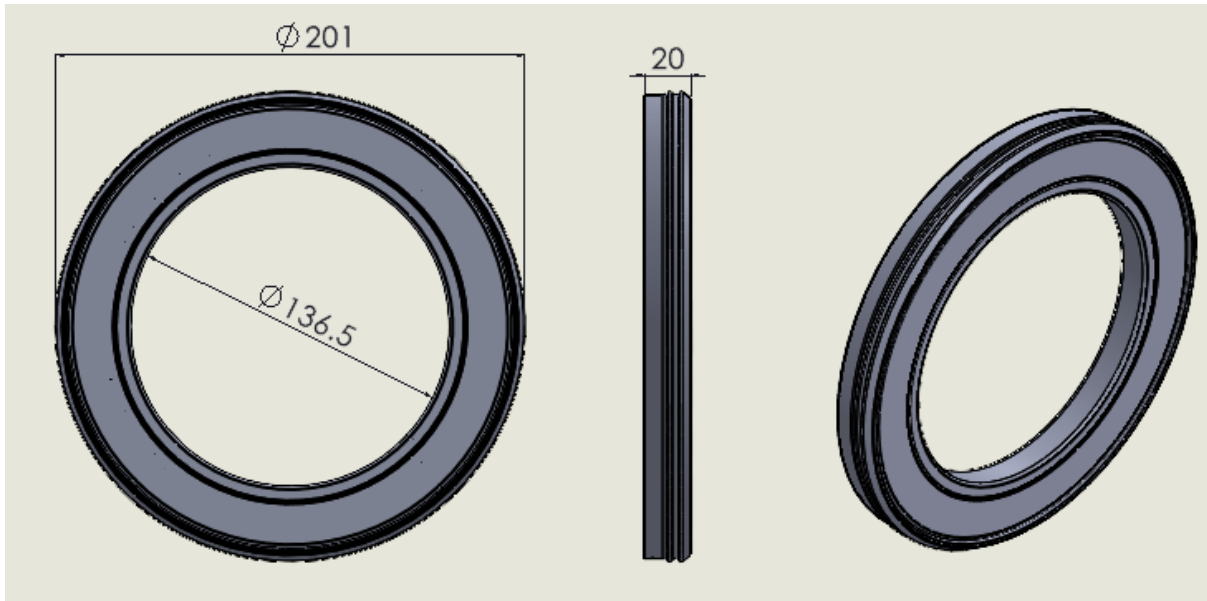
20100 – Internal Wheel Bolt Nut



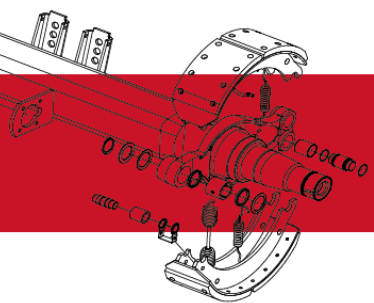
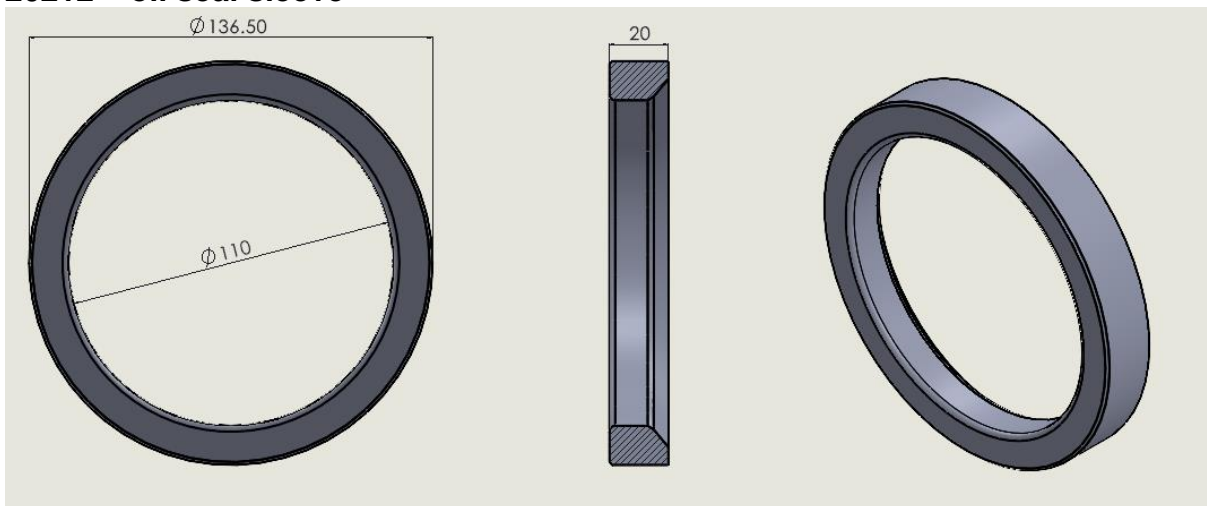
97638 – Inner bearing (32222)



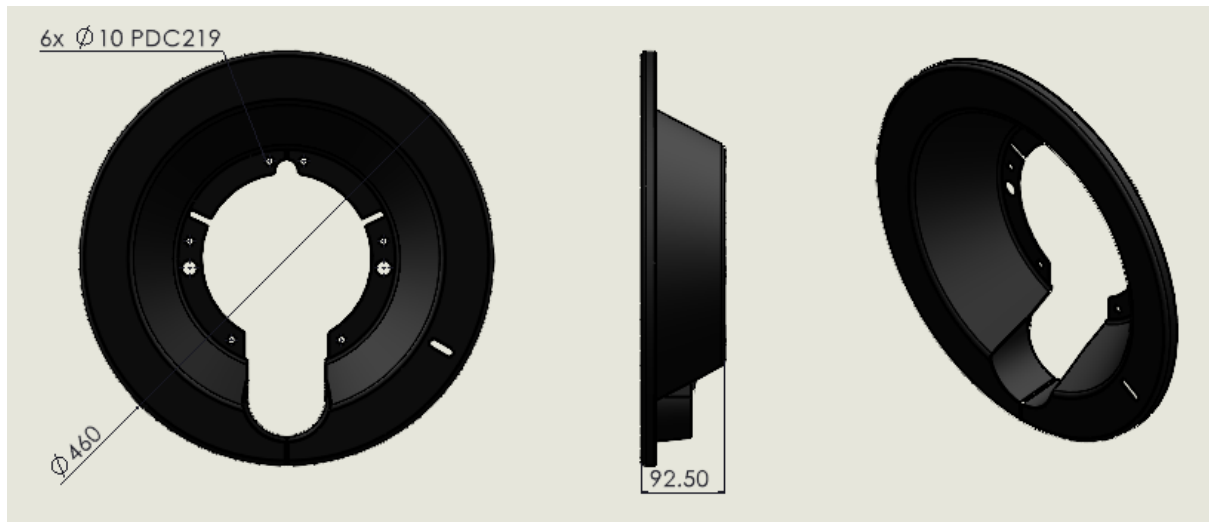
20225 – hub oil seal



20212 – oil seal sleeve



20226 – Dust cover



We reserve the right to make changes to specifications or to make improvements to the products in this catalogue without prior notice. We are not responsible for inaccuracies or omissions.

