

Axle Bill Of Materials

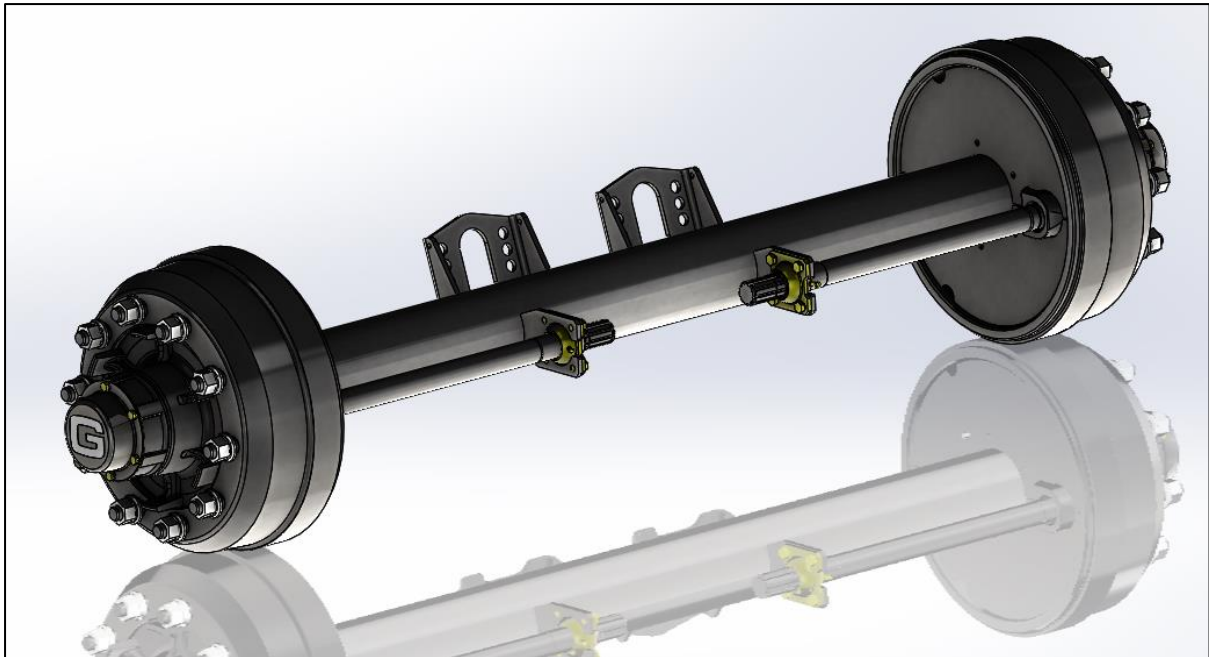
860F Series Drum Brake

External Drum, 406mm x 120mm

Updated: November 2018

80284 REV D

406 X 120 – 860 SERIES AXLE



860 series axle is TUV tested to 10,000Kg, please see website for test report.

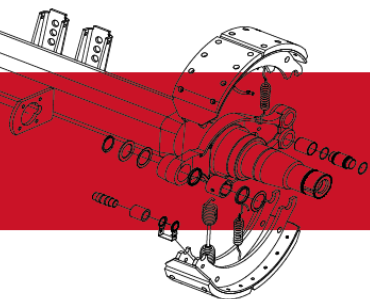
335mm PCD 10 stud M22 hub and drum. 281mm hub pilot.

Available in single and twin wheel stud.

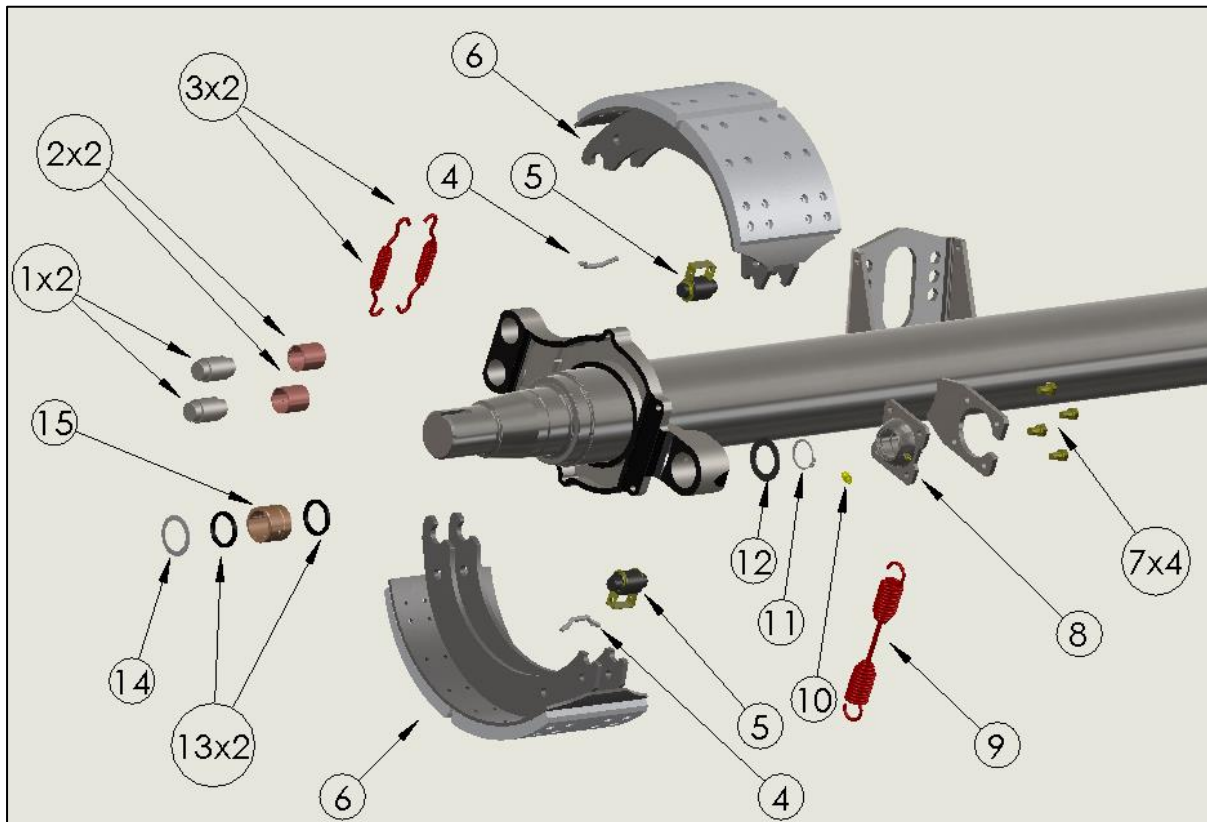
10 spline camshaft

Service manual available on website

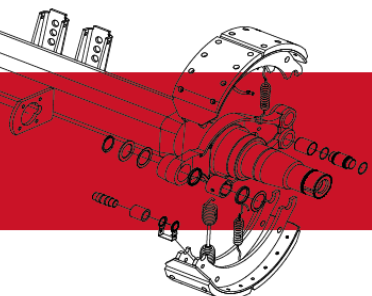
Please see following pages for part identification



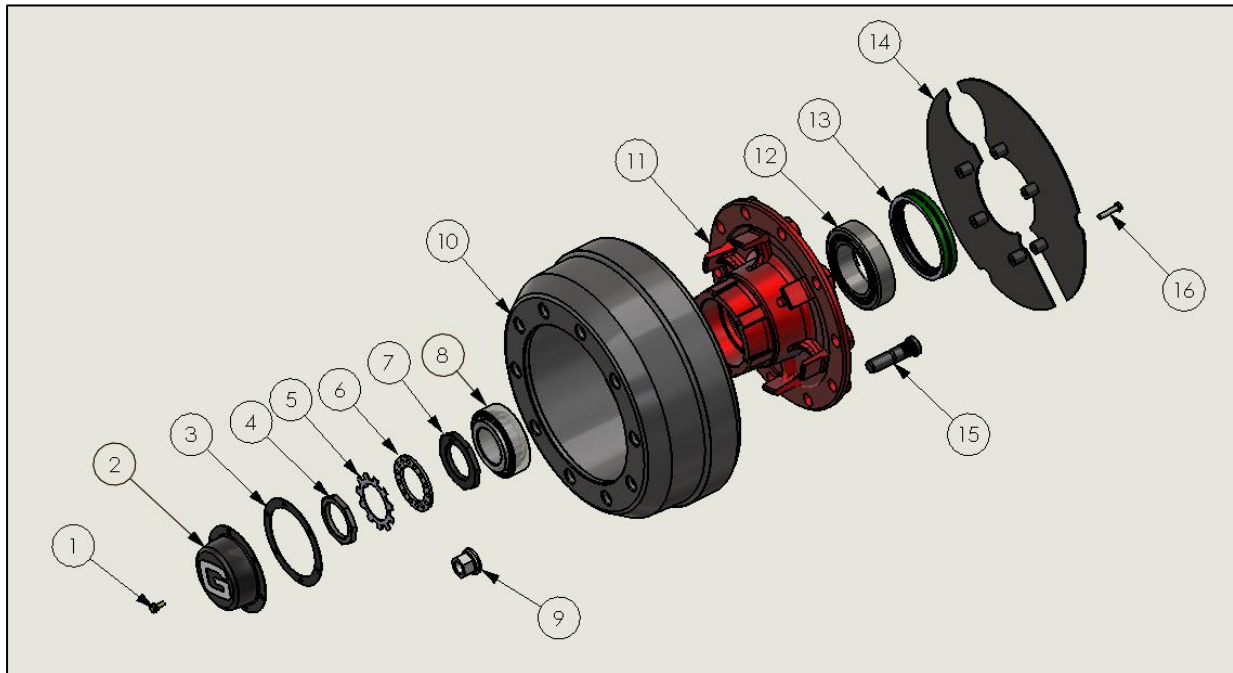
406 x 120 – 860 Series Quick Fit Brake Assembly



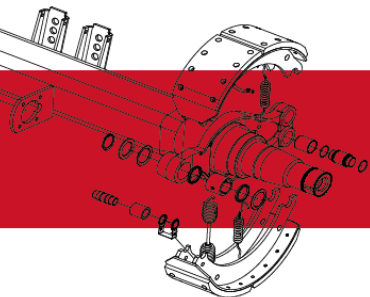
Item	Description	Part No.	QTY per Axle
1	Anchor Pin	61171	4
2	Bush Anchor Pin	61200B	4
3	Brake Shoe Retaining Spring	61141	4
	Brake Shoe Assembly	61159FA	4
(4)	Spring Anchor Bar	61150	(4)
(5)	Retainer Cam Roller	61220	(4)
	One Piece Cam Roller	61235	(4)
(6)	Brake Shoe (FWE11)	61159F	(4)
7	M10x 20 Screw	61359	8
8	Camshaft Spherical Bearing	61080F	2
9	Spring Return	61140	2
10	Greaser 1/8 NPT 45°	61110	2
11	Circlip	61120	2
12	Support Washer Camshaft	61058	2
13	Camshaft Grease Seal	61056	4
14	Camshaft Beveled Washer	61057	2
15	Camshaft Sintered Bush	61055	2



406 X 120 – 860 Series Hub/Drum Assembly



Item	Description	Part No.	QTY per Axle
1	Screw M8 x 16 Fl. Head	61358	12
2	Hub Cap Pressing "G"	61322F	2
3	Gasket	61330F	2
4	Locknut	61310	2
5	Tab Washer	61311	2
6	Lock Washer	61300	2
7	Adjusting Nut	61290	2
8	Outer Bearing	61270F	2
9	ISO Wheel Nut M22	61381Z	20
	DIN Wheel Nut M22	61383	(20)
	DIN Wheel Nut M22	61411	(20)
	DIN Nut Outer Cone Washer	61372	(20)
	DIN Nut Inner Cone Washer	61371	(20)
10	Brake Drum 10 Stud	61550F	2
11	Hub Spigot 10 Stud	61253F	2
12	Inner Bearing	61260F	2
13	Unitised Grease Seal	61282F	2
14	Dust Cover Round Beam (2 piece)	61399	2
	Dust Cover Square Beam (2 piece)	61396	2
15	Wheel Bolt M22 ISO (Twin)	61386F	20
	Wheel Bolt M22 ISO (Single)	61388F	20
16	Screw M8 x 40	70914	12

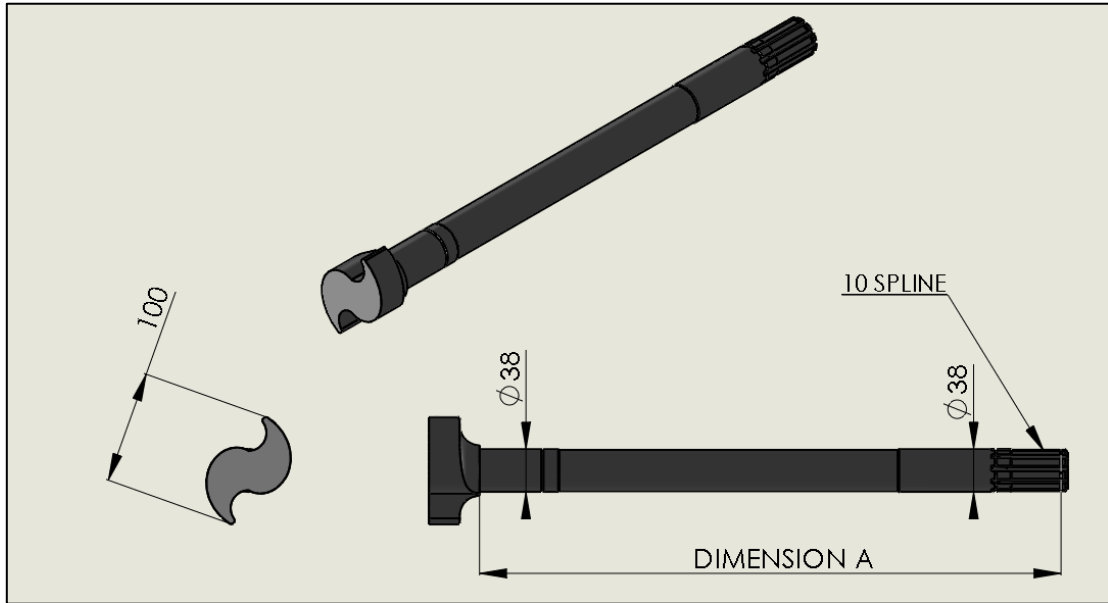




granning

axle and suspension solutions

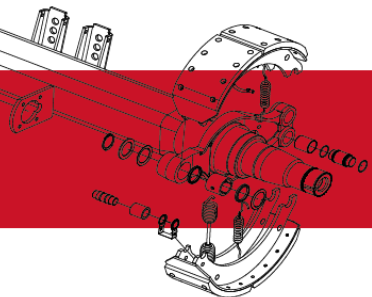
406 x 120 – 860 Series Camshaft Parts List



Item	Description (DIM A)	Part No.
1	Left Hand Large Head (519mm)	61065
2	Right Hand Large Head (519mm)	61075
3	Left Hand Large Head (618mm)	61067
4	Right Hand Large Head (618mm)	61077
5	Left Hand Large Head (189mm)	61127
6	Right Hand Large Head (189mm)	61147
7	Left Hand Large Head (212mm)	61061
8	Right Hand Large Head (212mm)	61071
9	Left Hand Large Head (250mm)	61138
10	Right Hand Large Head (250mm)	61148

Camshaft lengths are measured from under head to the centre of last circlip groove.

The illustrated camshaft is a right hand camshaft. When looking at the head of the camshaft a right hand cam is Z shaped and a left hand is S shaped

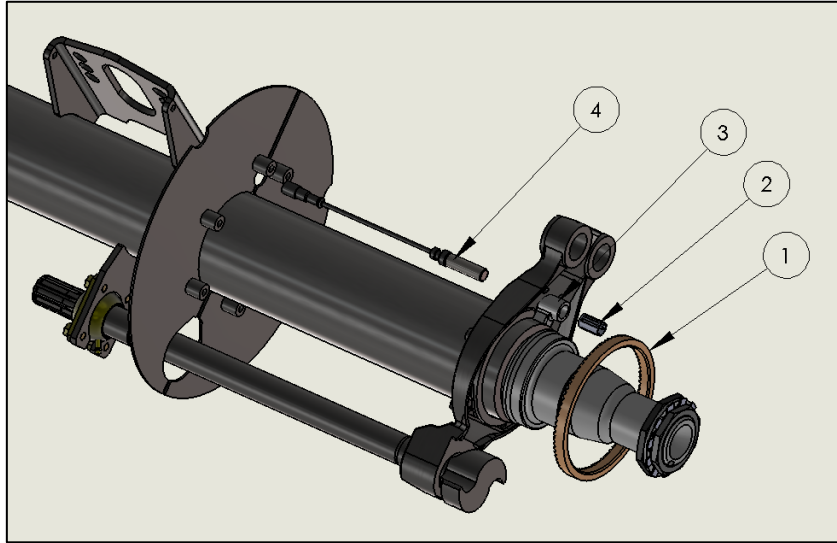




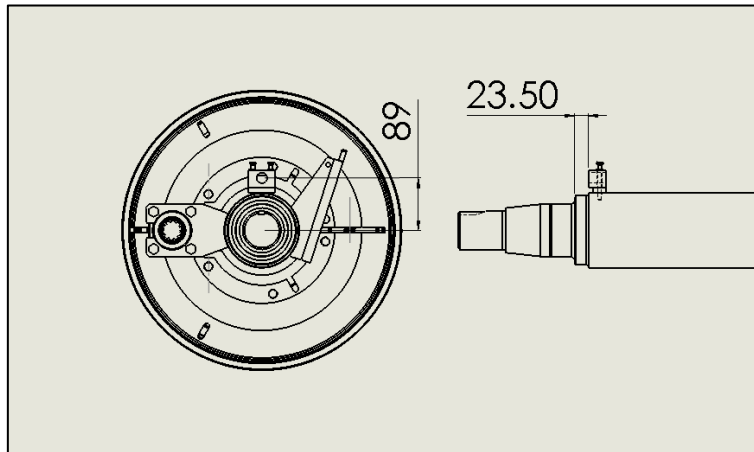
granning

axle and suspension solutions

406 x 120 – 860 Series ABS/Anti-Lock Assembly



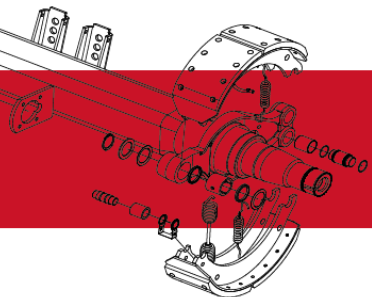
Item	Description	Part No.
1	Pole Wheel	61789
2	ABS Sensor Block	61781
3	ABS Sensor Bush	61792
4	Straight ABS Sensor Lead	61791



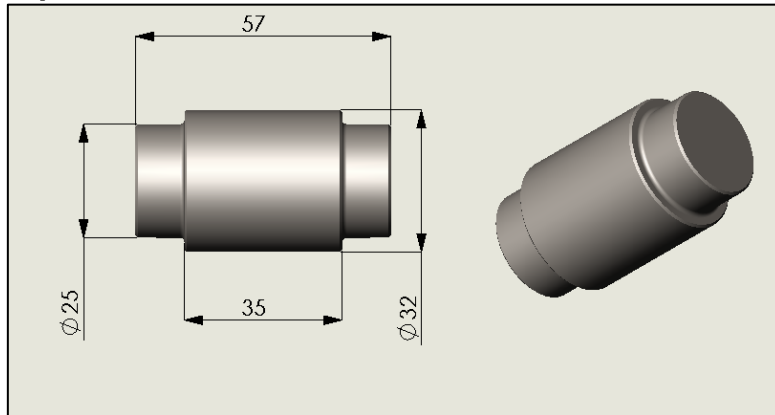
Pole wheel at 178mm PCD

Face of sensor block 23.5mm from large bearing shoulder

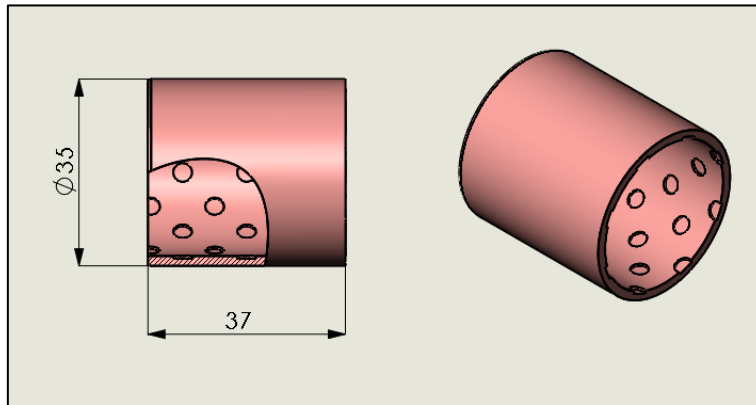
Weld on style is 180 degrees to camshaft and is in line with hole in anchor bracket.



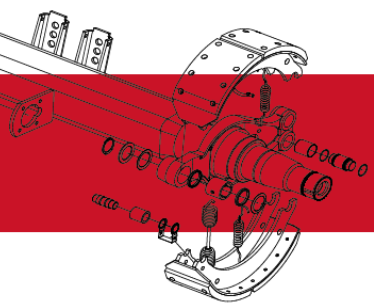
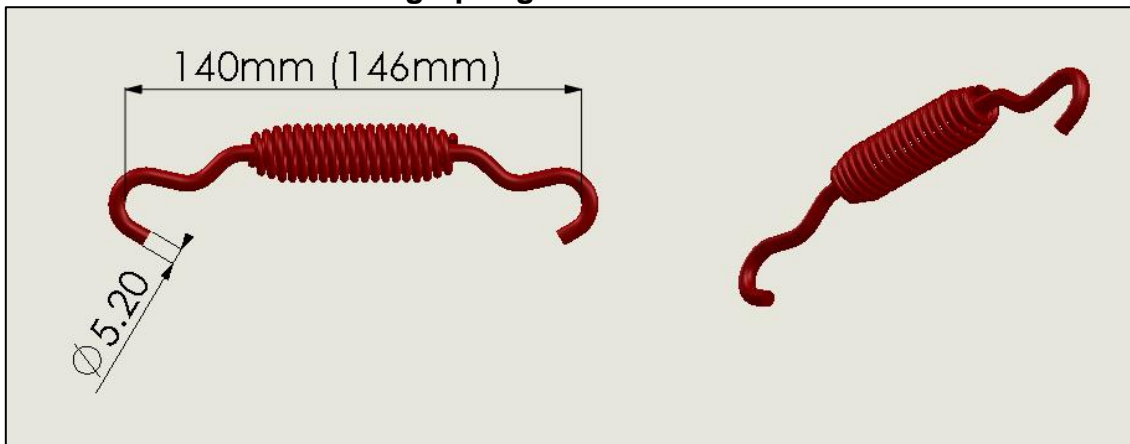
61171 – Anchor pin



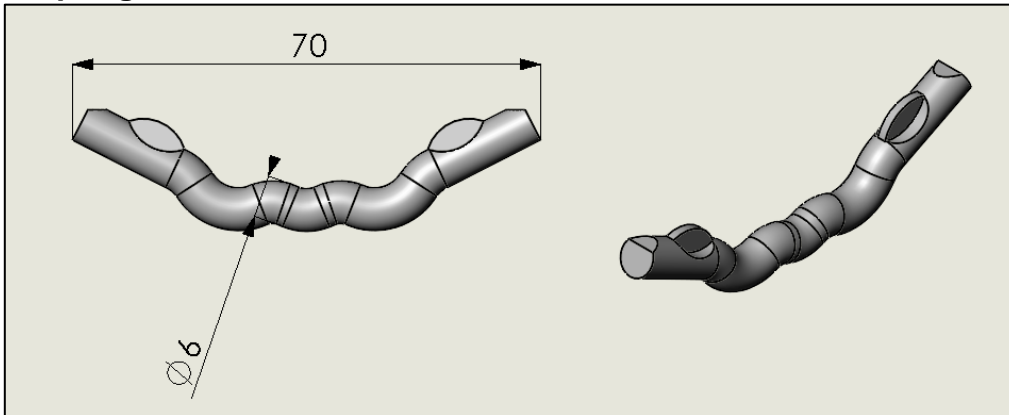
61200B – Bush Anchor Pin



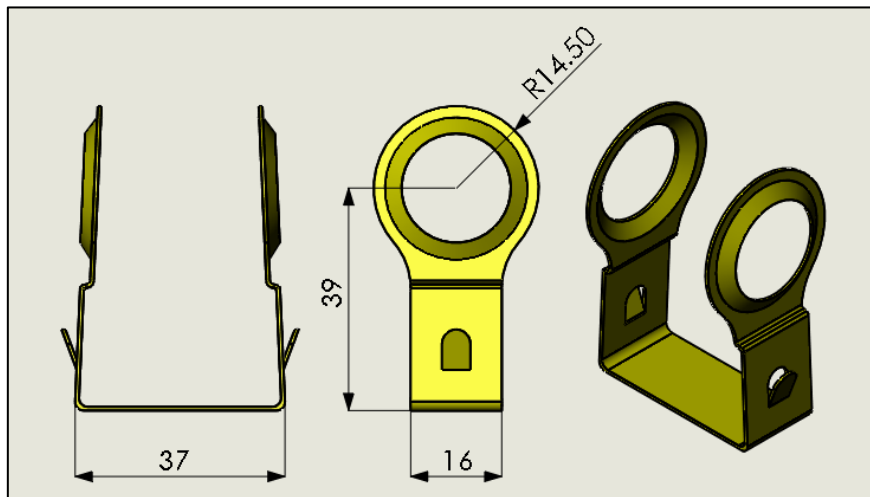
61141 – Brake Shoe Retaining Spring



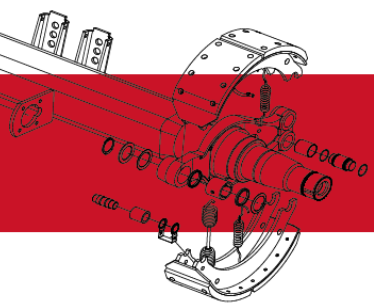
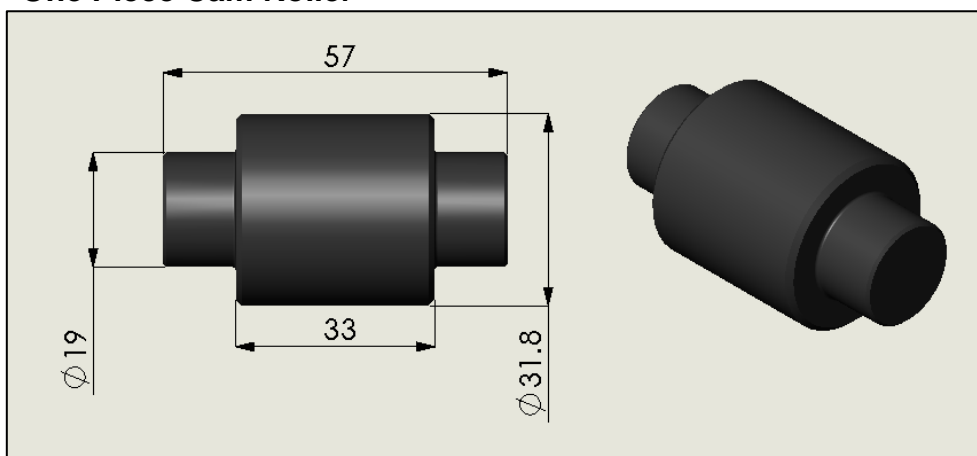
61150 – Spring Anchor Bar



61220 – Retainer Cam Roller



61235 – One Piece Cam Roller

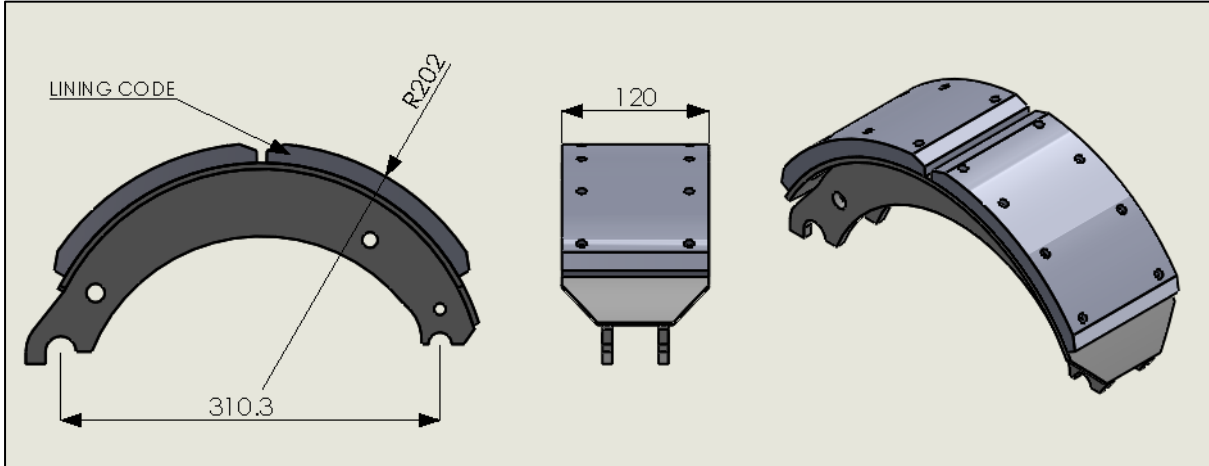




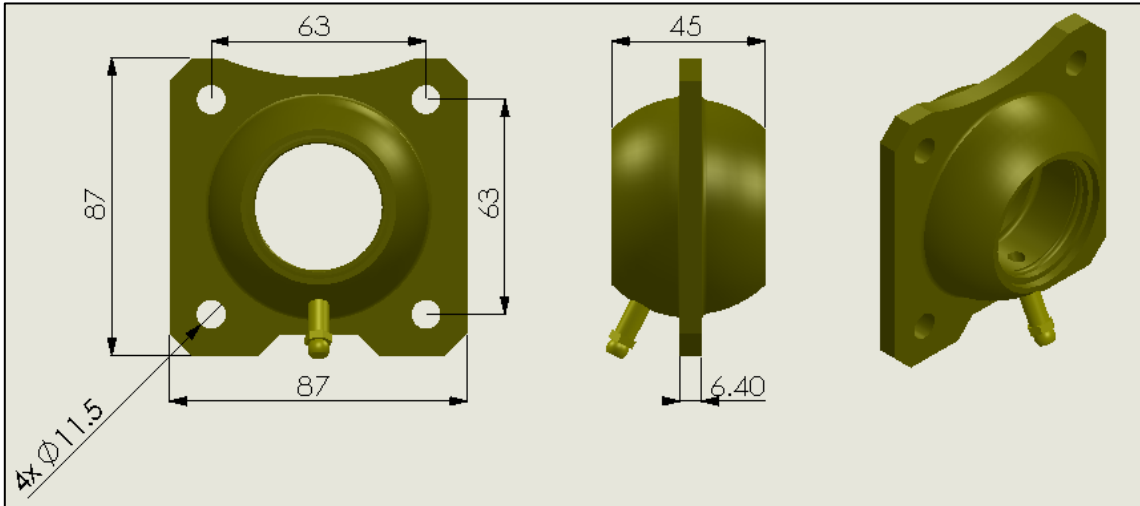
granning

axle and suspension solutions

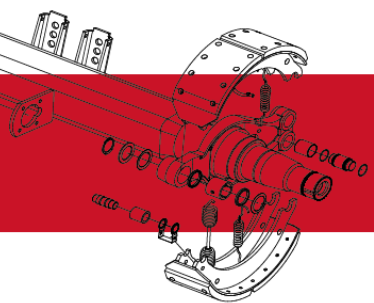
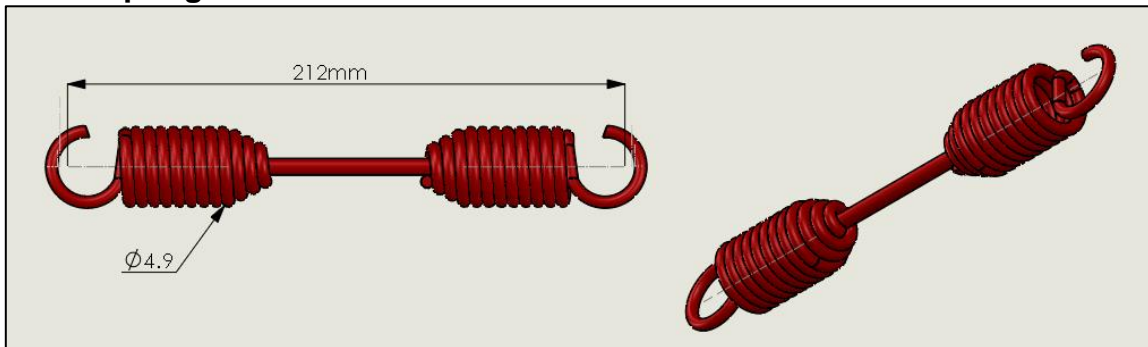
61159FA – Brake shoe with spring anchor bar and cam roller (FWE11)



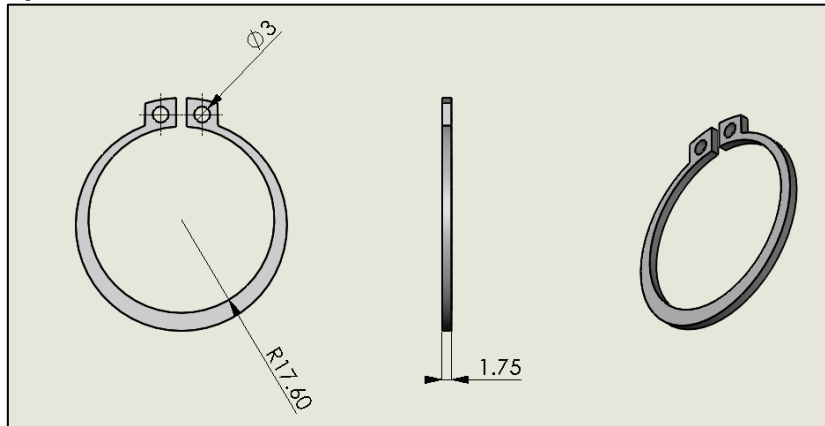
61080F – Camshaft Spherical Bearing



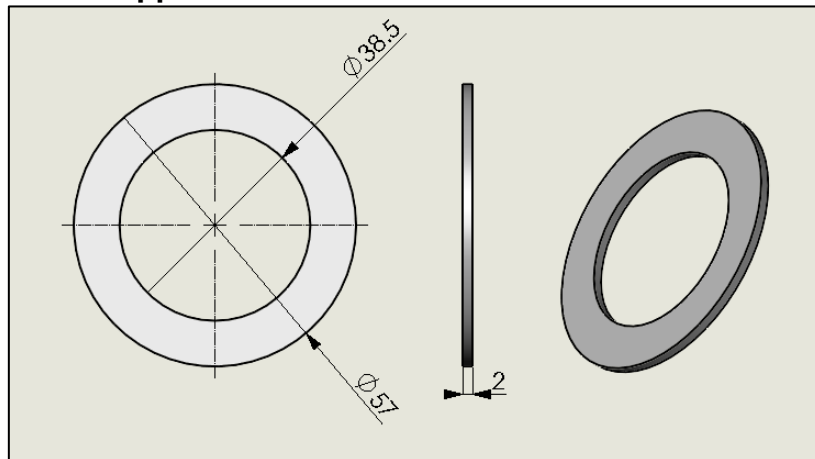
61140 – Spring Return



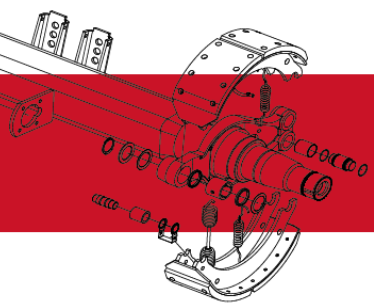
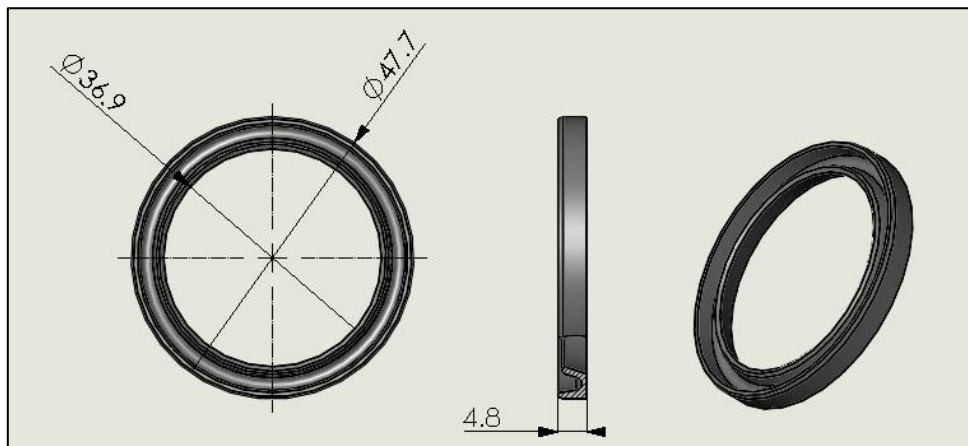
61120 – Circlip



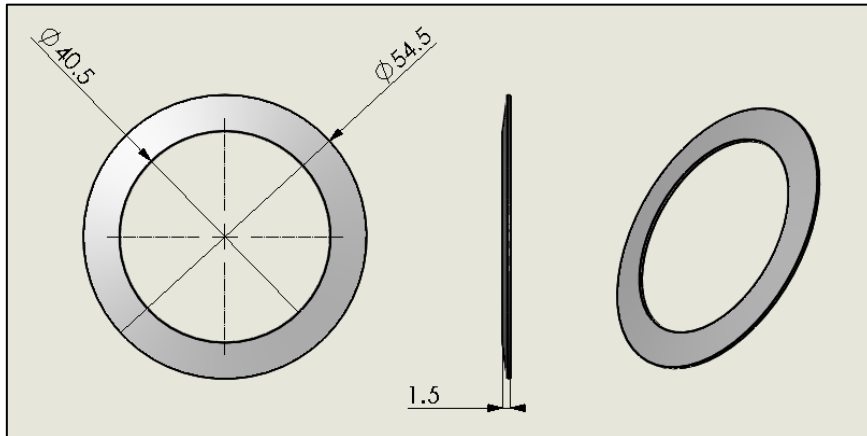
61058 – Camshaft Support Washer



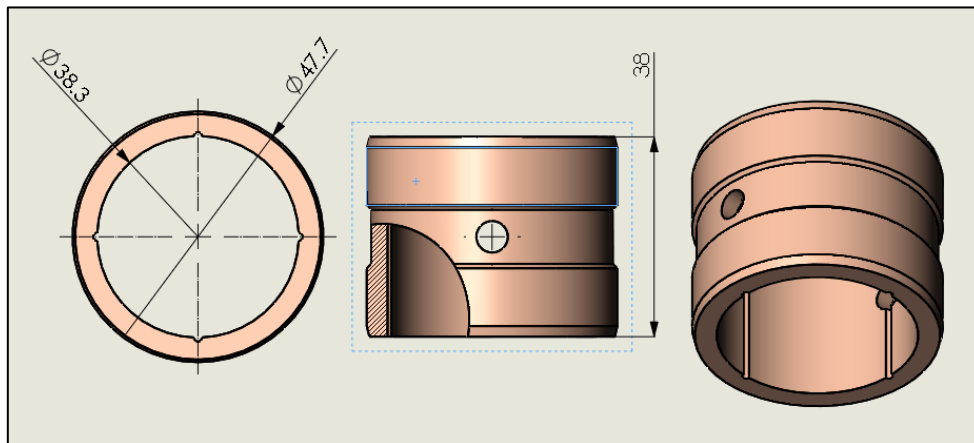
61056 – Camshaft Grease Seal



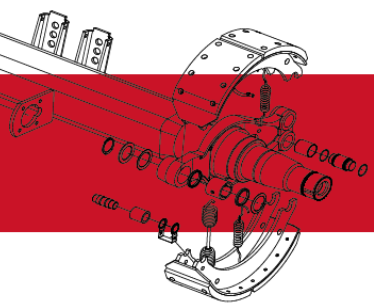
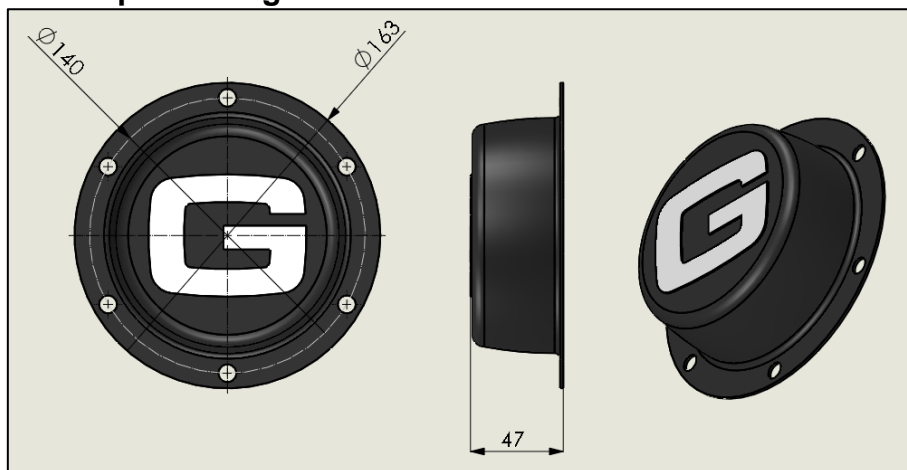
61057 – Camshaft Beveled Washer



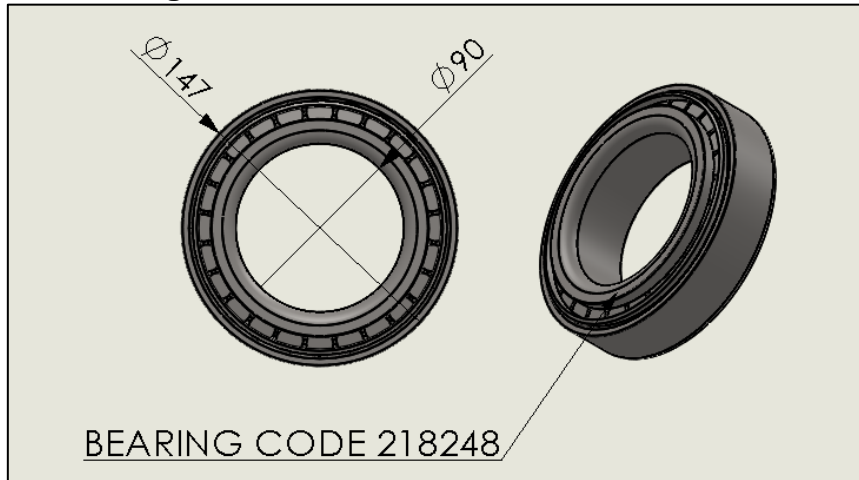
61055 – Camshaft Sintered Bush



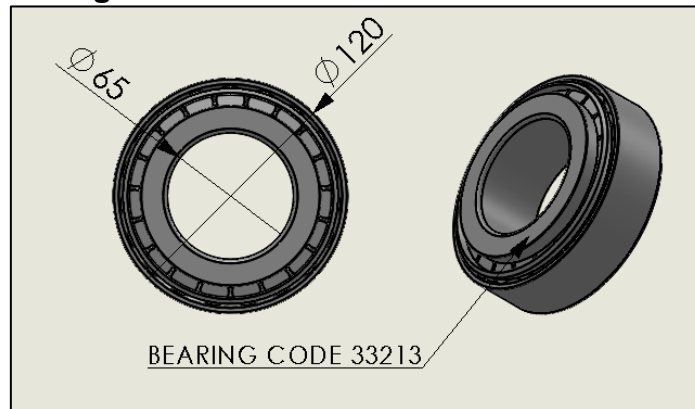
61322F – Hub Cap Pressing



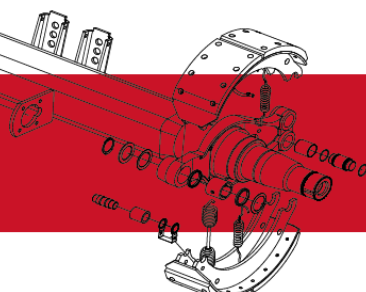
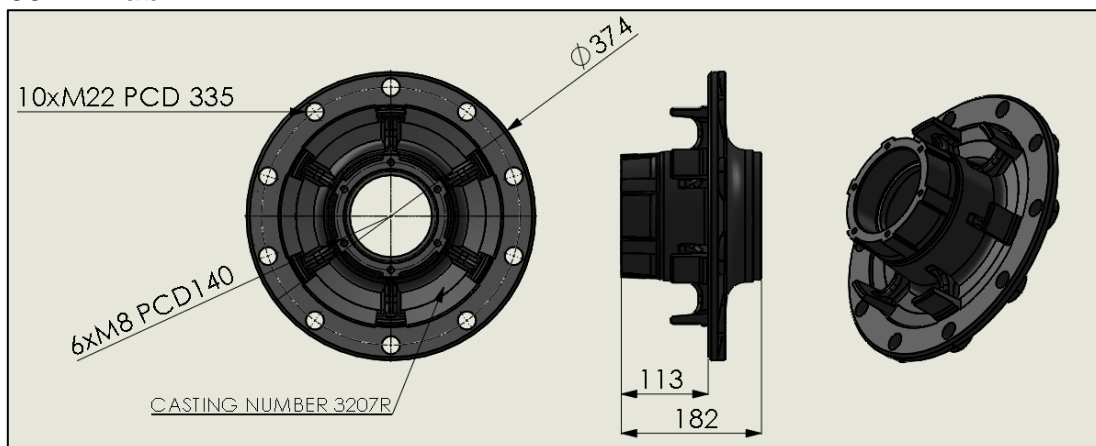
61260F – Inner bearing and cone



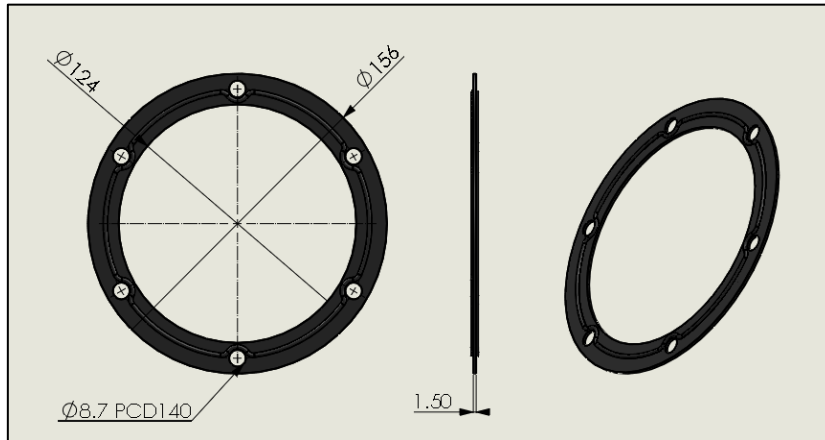
61270F – Outer bearing and cone



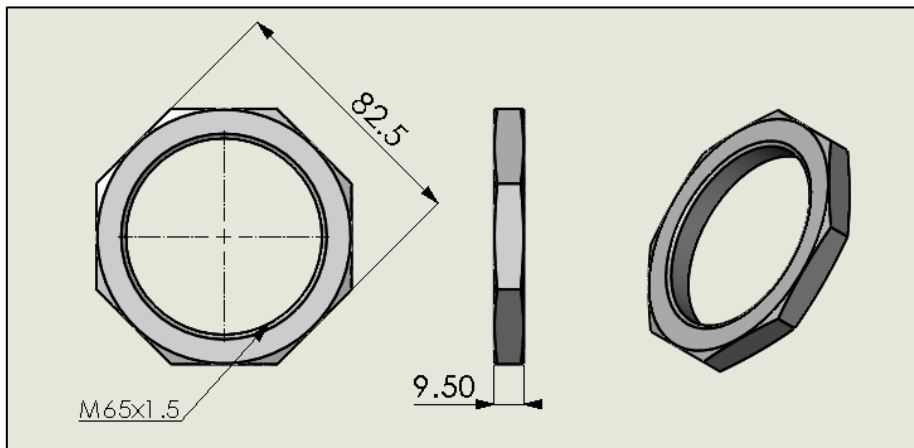
61253F – Hub



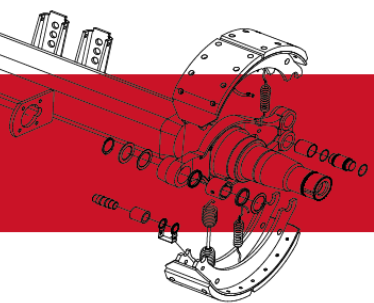
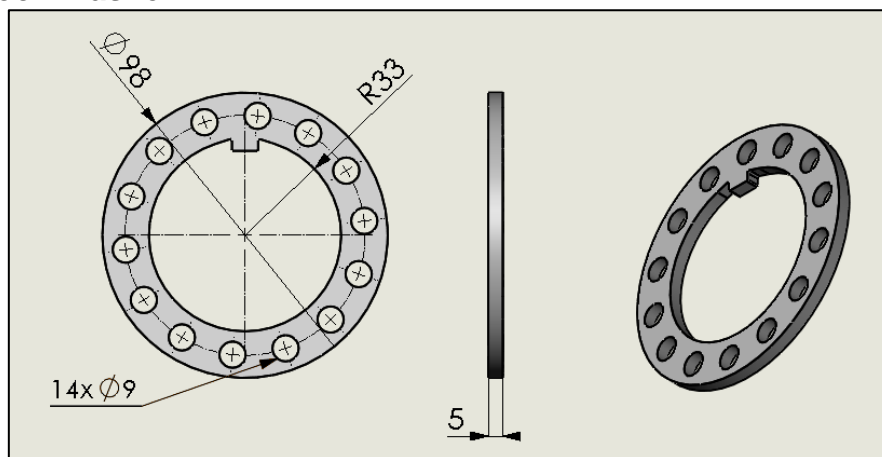
61330F – Gasket



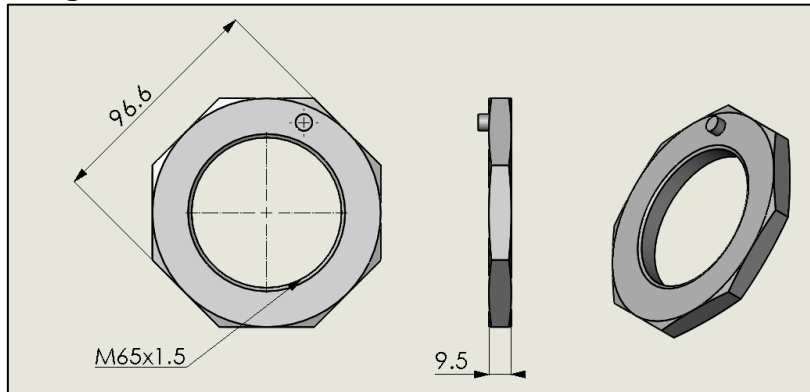
61310 – Locknut



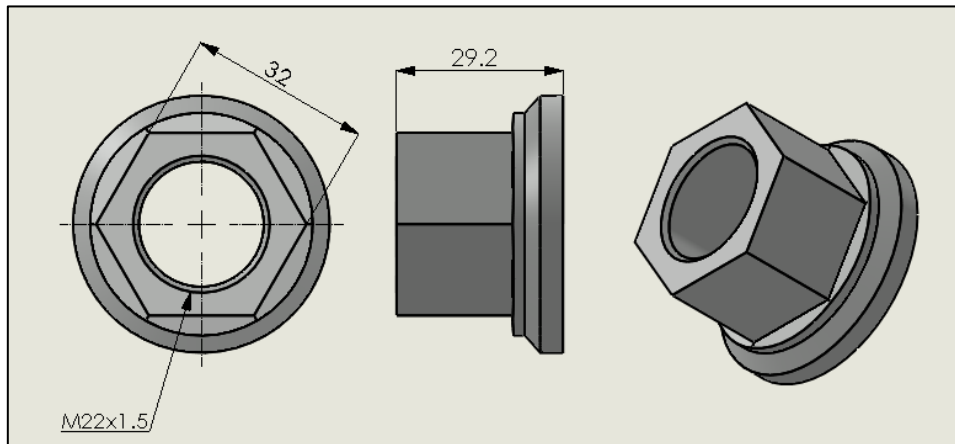
61300 – Lock Washer



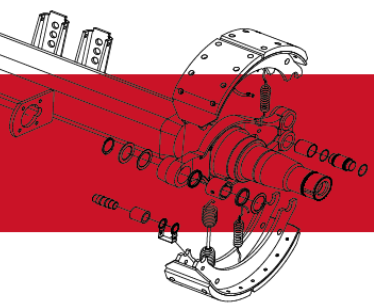
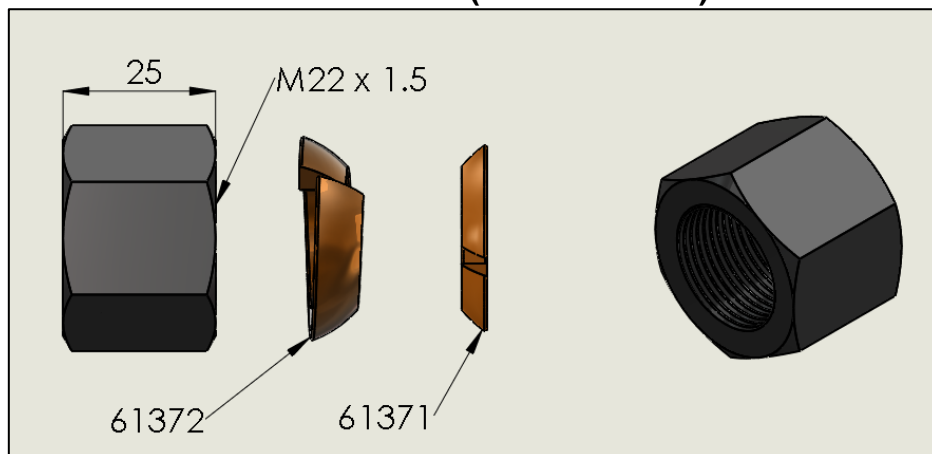
61290 – Adjusting Nut



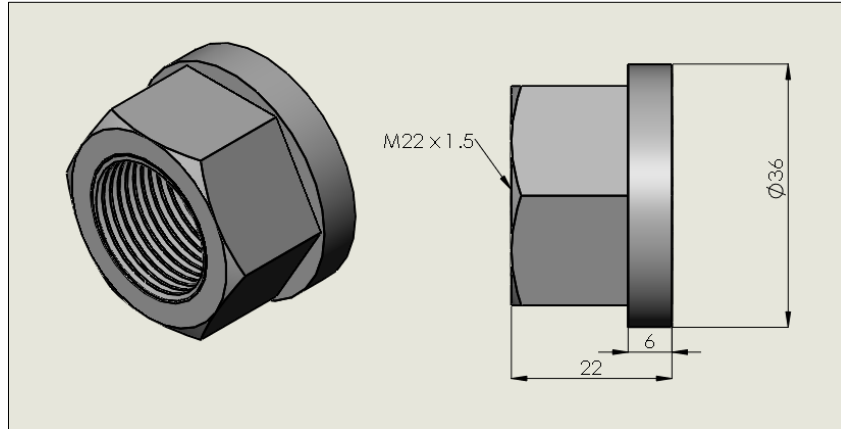
61381Z – ISO M22 Wheel Nut



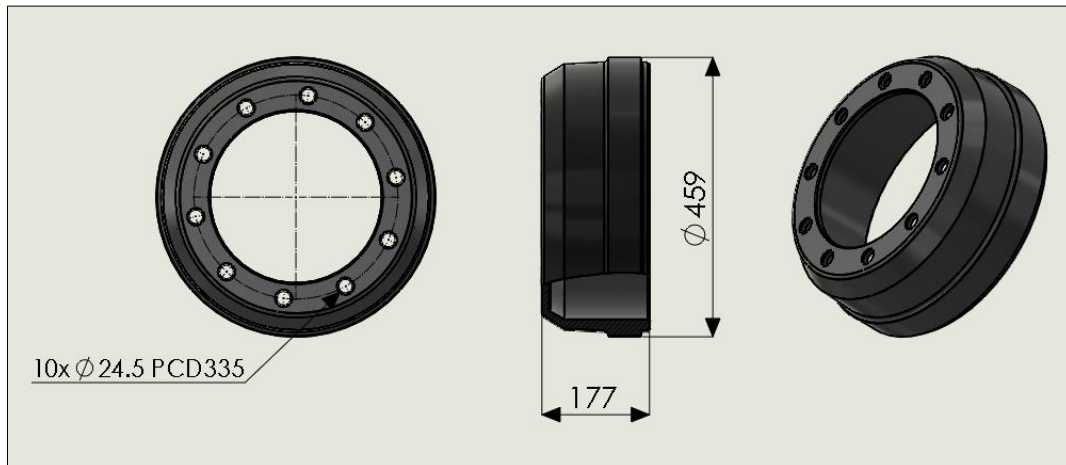
61383 – M22 DIN Wheel Nut + Washers (61372 & 61371)



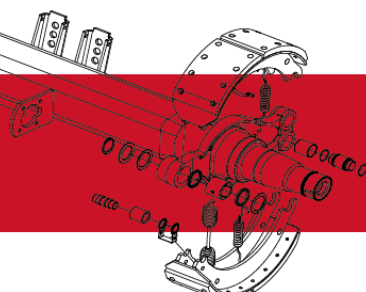
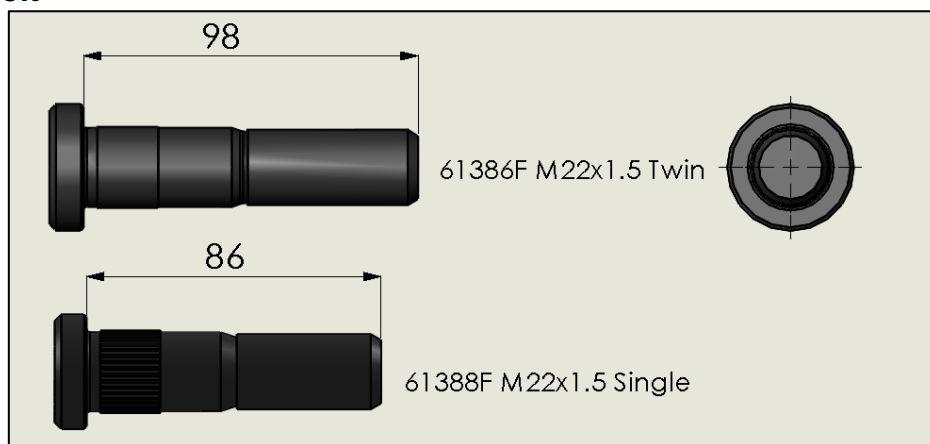
61411 – M22 DIN Wheel Nut



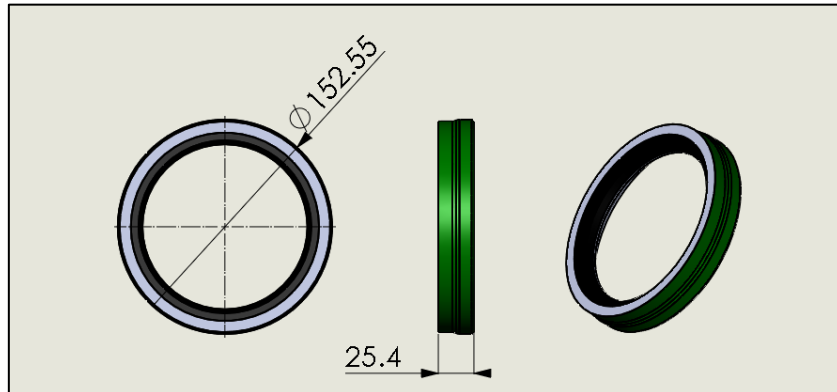
61550F – Brake Drum



Wheel Bolt

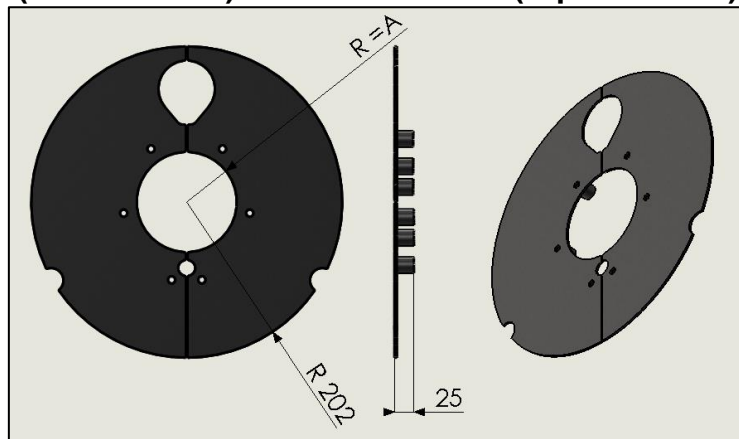


61282F – Unitised Grease Seal

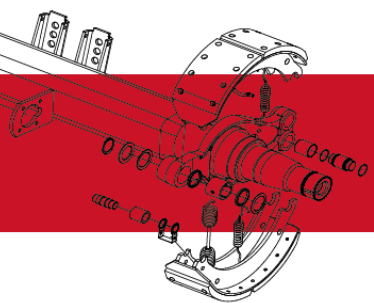
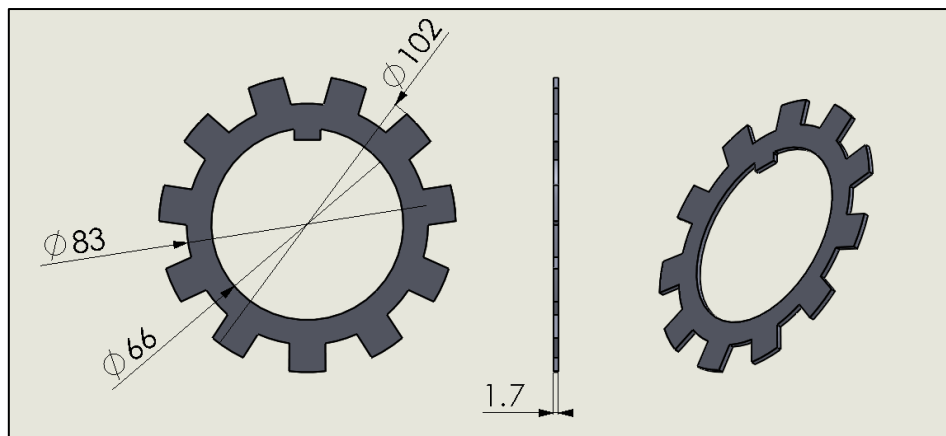


Dust Cover

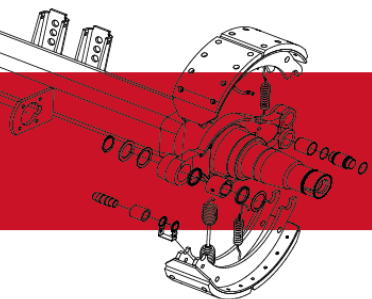
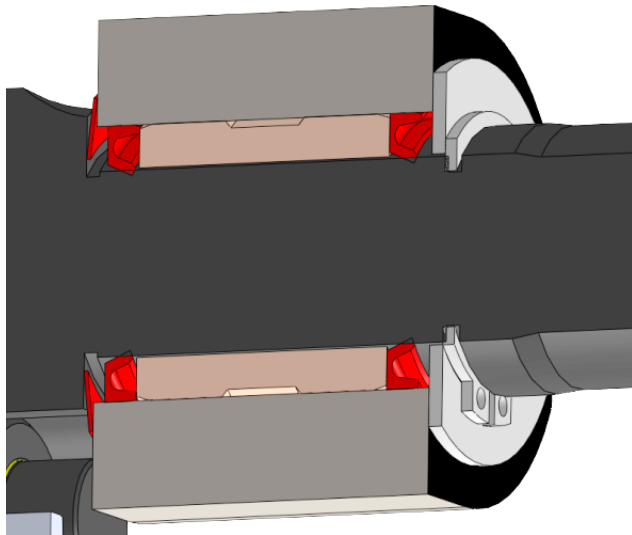
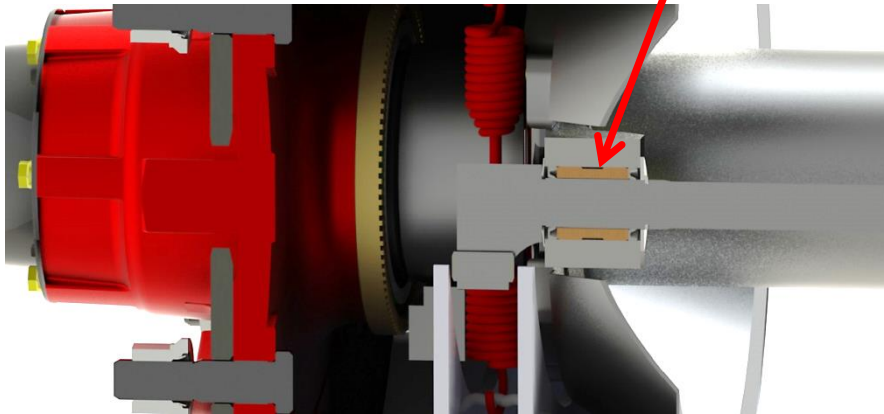
61399 A=65mm (Round Beam) 61396 A=62mm (Square Beam)



61311 – Tab Washer



The direction of the grease seals in the anchor bracket is important as well as the position of the beveled washer between the anchor bracket and camshaft head.



Ordering Of Sub-Assemblies

It is possible to order sub-assemblies of parts from Granning rather than ordering individual parts.

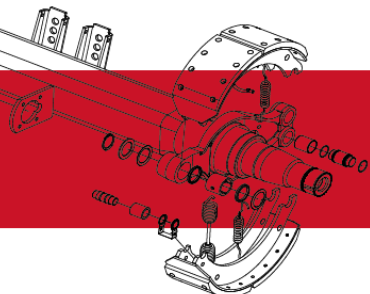


61287F – Single Wheel Stud Hub and Drum Assembly
61287FW – 61287 with 1 x 100 tooth pole wheel 61789

Part Number	Quantity	Description
61550F	1	Drum
61253F	1	Hub
61270F	1	Outer Bearing
61260F	1	Inner Bearing
61388F	10	Single wheel stud
61381Z	10	ISO wheel nut
61282F	1	Seal

61289F – Twin Wheel Stud Hub and Drum Assembly
61289FW – 61289 with 1 x 100 tooth pole wheel 61789

Part Number	Quantity	Description
61550F	1	Drum
61253F	1	Hub
61270F	1	Outer bearing
61260F	1	Inner bearing
61386F	10	Twin wheel stud
61381Z	10	ISO wheel nut
61282F	1	Seal



HCL – Hub Cap and spindle nut assembly

Part Number	Quantity	Description
61330F	2	Gasket
61322F	2	Hub cap
61358F	12	M8 bolts
61310	2	Lock nut
61300	2	Lock washer
61311	2	Tab washer
61290	2	Adjusting nut
96366F	12	M8 serrated washer

AK300 – Brake Shoe Kit (one side of axle)

Part Number	Quantity	Description
61140	1	Return spring
61141	2	Brake shoe retaining spring
61150	2	Spring anchor bar
61235	2	One Piece Cam roller
61220	2	Retainer cam roller
61200B	2	Bush anchor pin
61171	2	Anchor pin

AK200 – Camshaft Bush Kit (one side of axle)

Part Number	Quantity	Description
61080F	1	Spherical bearing
61055	1	Camshaft sintered bush
61056	2	Camshaft grease seal
61057	1	Beveled camshaft washer
61058	1	Camshaft washer
61120	2	Camshaft circlip
96365F	2	Camshaft support washer
61359	4	M8 Hex Bolt
96363F	4	Serrated Washer
96364F	4	Spring Washer

We reserve the right to make changes to specifications or to make improvements to the products in this catalogue without prior notice. We are not responsible for inaccuracies or omissions.

